

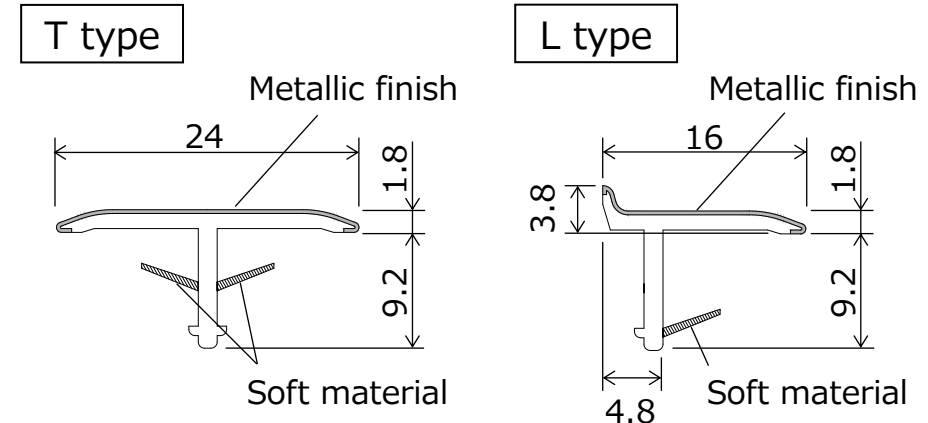
## ● Clean floor joints and edges



## Key features

- Luxury metallic finish
- Less likely to be dented than metal products
- Made of plastic so it can be cut with a saw
- Easy installation with caulking
- Soft material holds position until caulking hardens

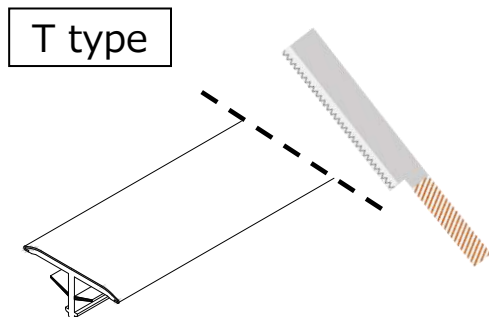
## ● Product drawing



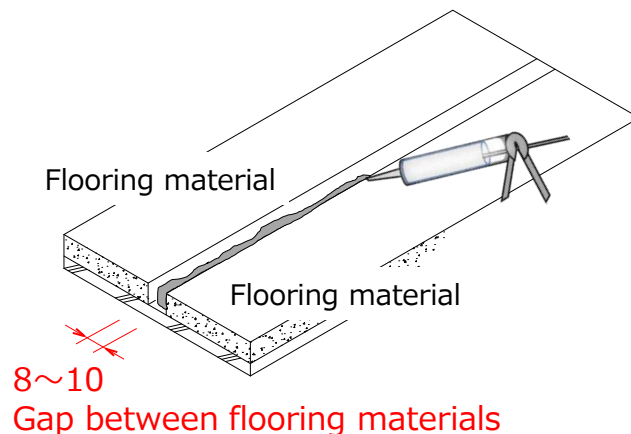
- **Material** : PVC+Acrylic
- **Color** : Metallic Gold, Metallic Silver
- **Length** : 2,000mm
- **MOQ** : 1pcs

# ● Installation

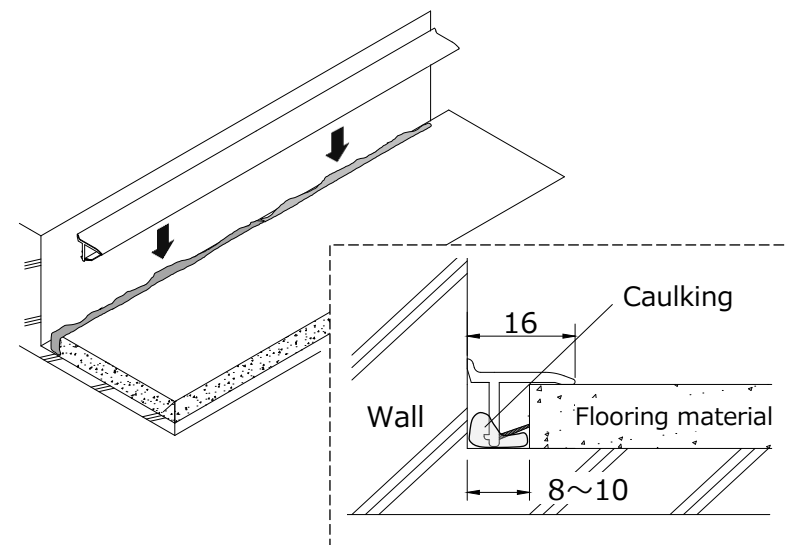
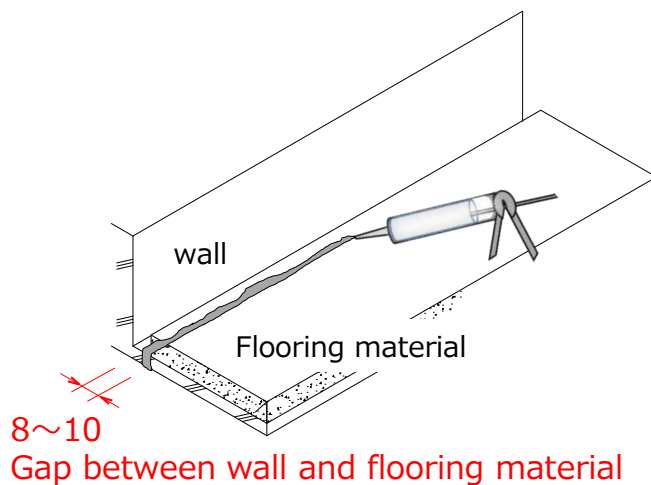
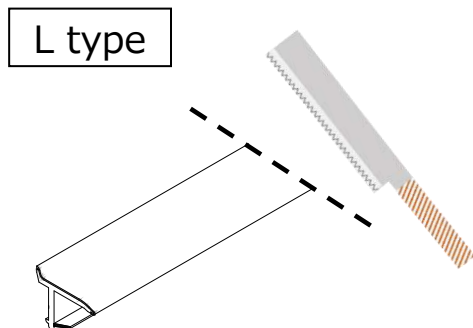
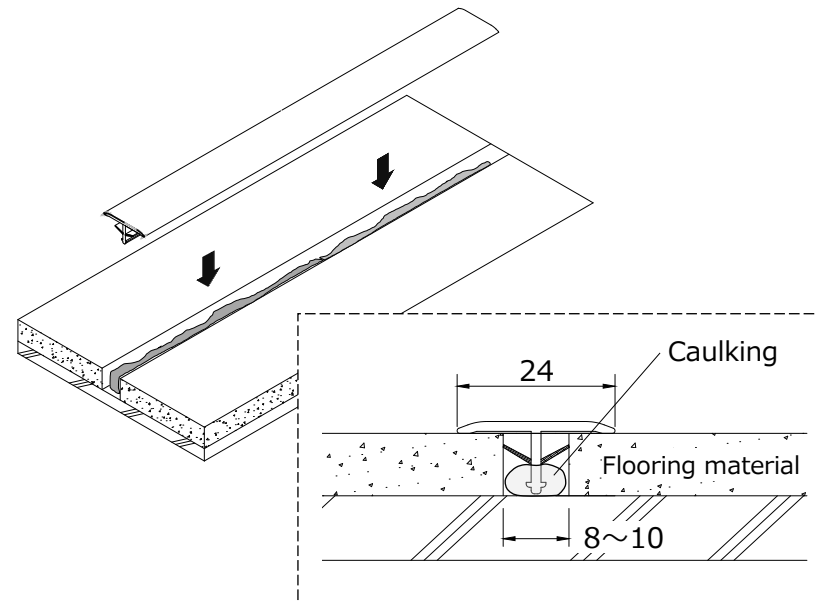
## ① Cut to the proper length



## ② Apply caulking (Adhesive diameter $\Phi 6 \sim 8\text{mm}$ )



## ③ Fit the FLOOR MIKIRI



# ● Construction example <FLOOR MIKIRI>

T type

■ CONDOMINIUM (HO CHI MINH/VIETNAM)

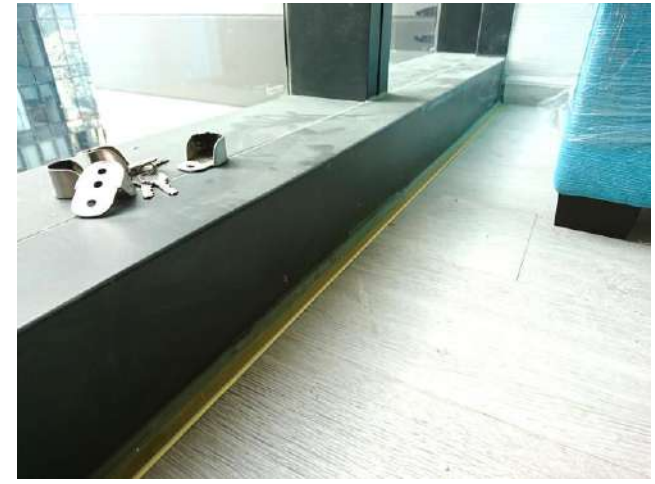


■ STANDALONE HOUSE (TOKYO/JAPAN)

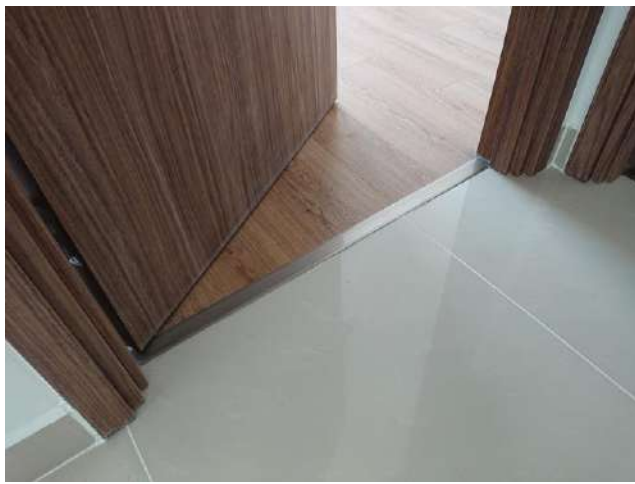


L type

■ CONDOMINIUM (HO CHI MINH/VIETNAM)



■ CONDOMINIUM (HO CHI MINH/VIETNAM)



■ CONDOMINIUM (HO CHI MINH/VIETNAM)



■ OFFICE (TOKYO/JAPAN)

