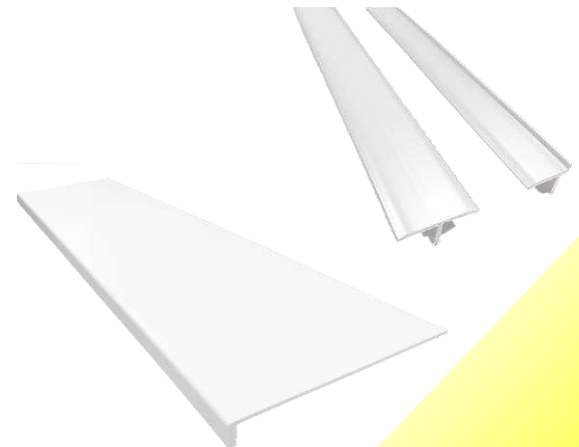
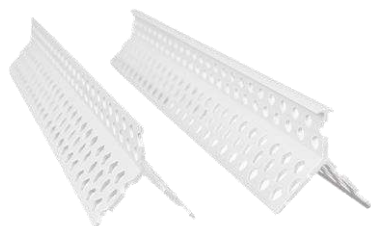
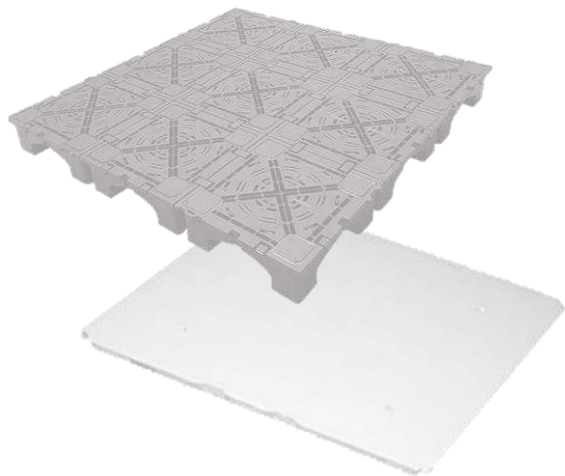


FUKUVI



**Building Material
Information**



Building Materials for Interior



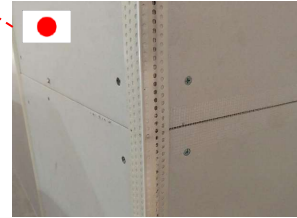
Inspection Opening Frame



Inspection Opening Frame



Corner Bead for Board



Transition Trim



Board Joint



Stool Cover



Soft Skirting



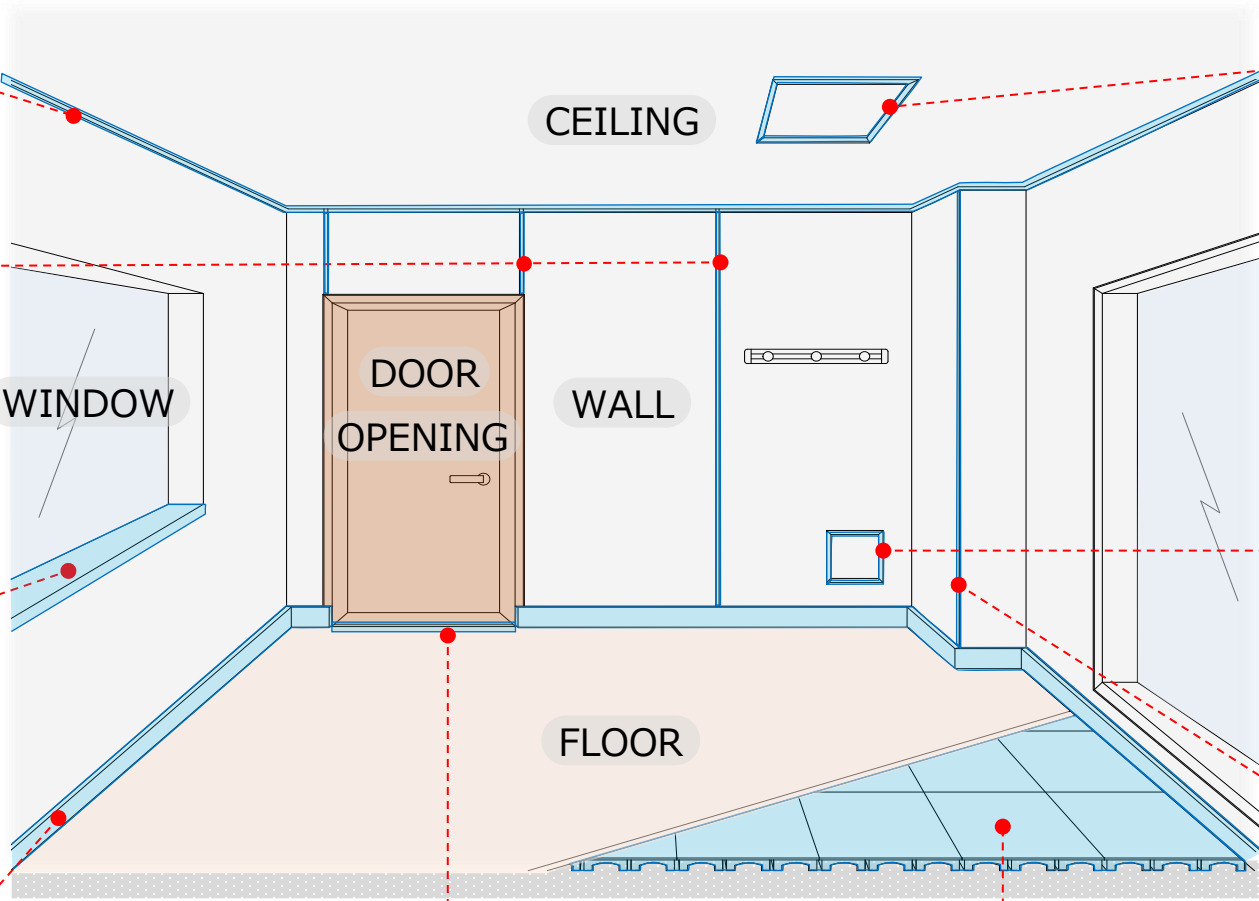
Hard Skirting



Transition Floor Trim



Raised Access Flooring



CEILING

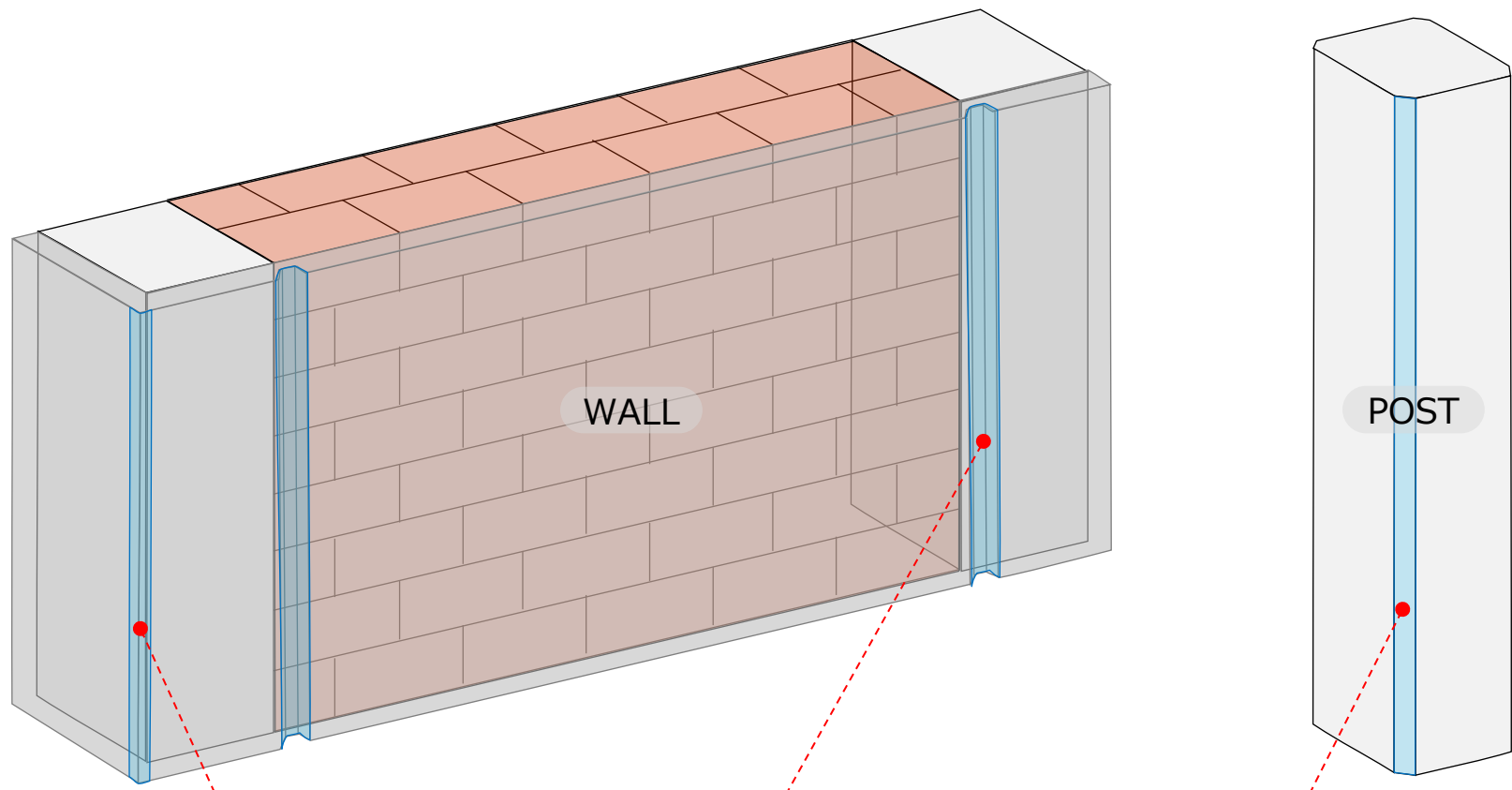
WINDOW

DOOR
OPENING

WALL

FLOOR

Building Materials for Exterior



Corner Bead for Mortar



Formwork Joint Bar



Chamfer





For Office

CEILING

Transition Trim



Inspection
Opening Frame



WALL

Board Joint



Corner Bead
for Board

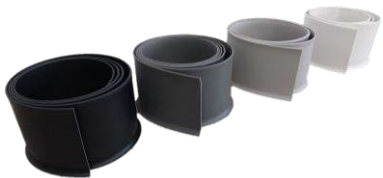


Inspection
Opening Frame



FLOOR

Soft Skirting



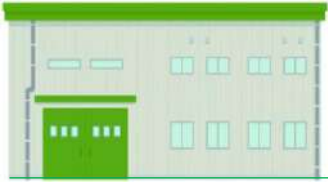
Raised
Access Flooring



WINDOW

Stool Cover





For Factory

CEILING

Transition Trim



Inspection
Opening Frame

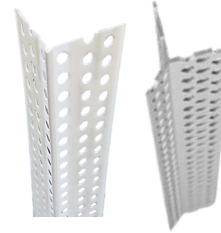


WALL

Board Joint



Corner Bead



Inspection
Opening Frame



Formwork
Joint Bar

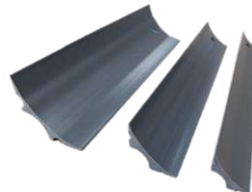


FLOOR

Soft Skirting



ST Corner



Raised
Access Flooring



WINDOW

Stool Cover



POST

Chamfer





For House

CEILING

Transition Trim



Inspection
Opening Frame



WALL

Corner Bead



Inspection
Opening Frame



FLOOR

Hard Skirting



Transition Trim



WINDOW

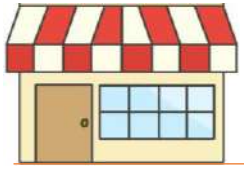
Stool Cover



BATHROOM

Soft Flooring





For Shop

CEILING

Transition Trim



Inspection
Opening Frame



WALL

Inspection
Opening Frame



FLOOR

Soft Skirting



Hard Skirting



Transition Trim

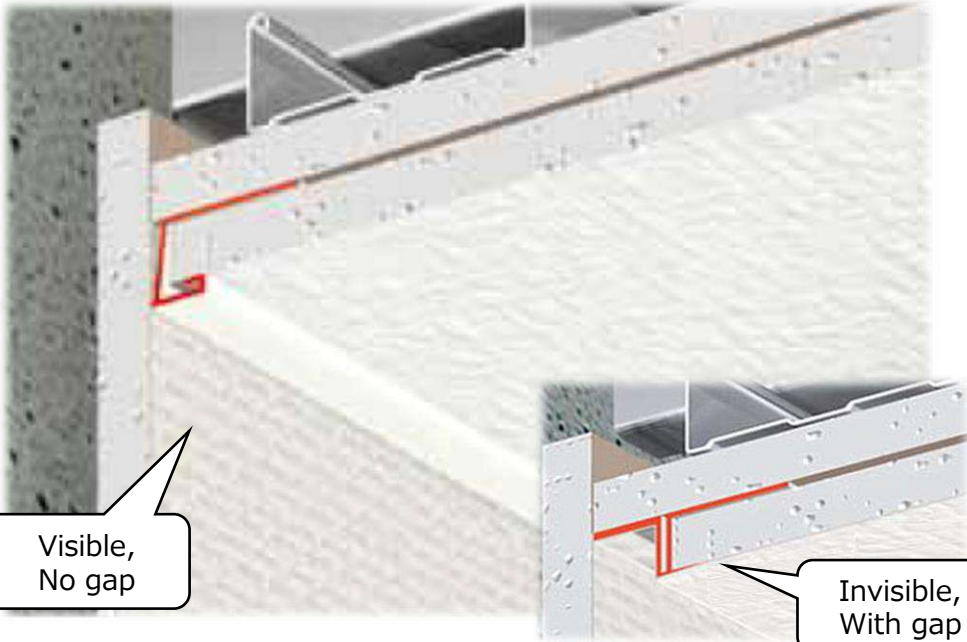


WINDOW

Stool Cover



● Makes straight lines between ceilings and wall



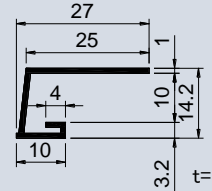
● Product drawing

Visible, No gap

Visible, With gap

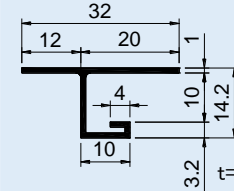
Invisible, With gap

A1-9V

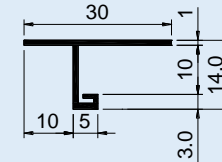


9.5

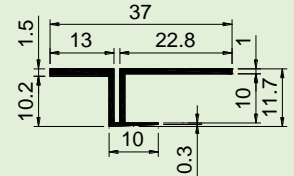
V-9V



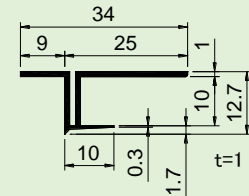
V-9NV



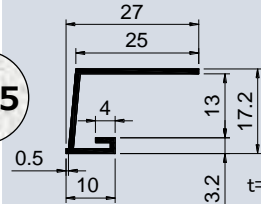
FP-9V



FP-9VP

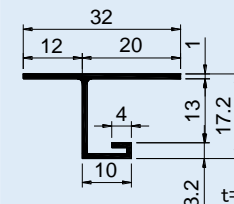


A1-12V

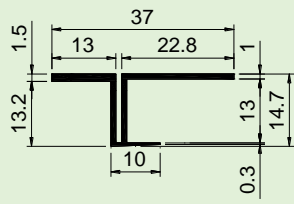


12.5

V-12V

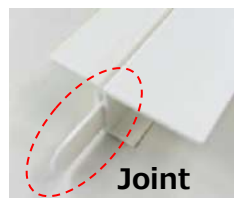
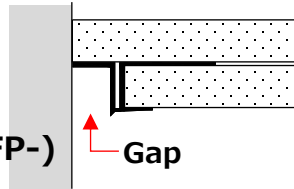


FP-12V



Key features

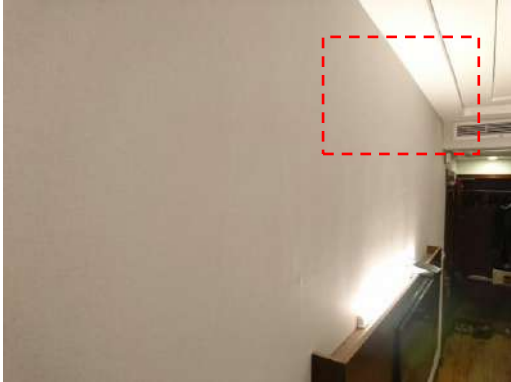
- Covers board edges; Creates straight lines between ceilings and walls
- No caulking or adhesive needed
- Hides wavy wall edges with gap(V-,FP-)
- Invisible and neat(FP-)
- Easy to cut with scissors
- Joint method allows smooth installation with no displacement



- Material : PVC
- Color : White
- Length : 2,000mm
- Attachable board thickness : 9.5、12.5mm
- MOQ : 100pcs

● Purpose of MIKIRI

To beautifully finish the edges of the ceiling material
To beautifully finish the joints of ceiling materials and wall materials made of different materials



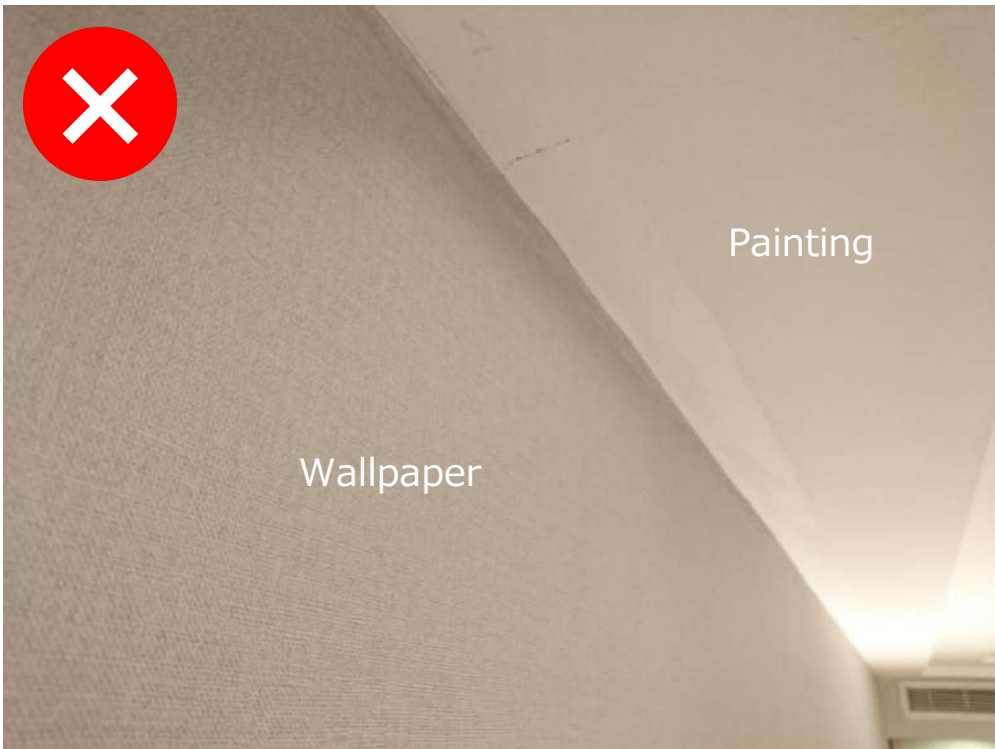
Looks **BAD**

The wall looks waving



Looks **BAD**

Caulking looks dirty

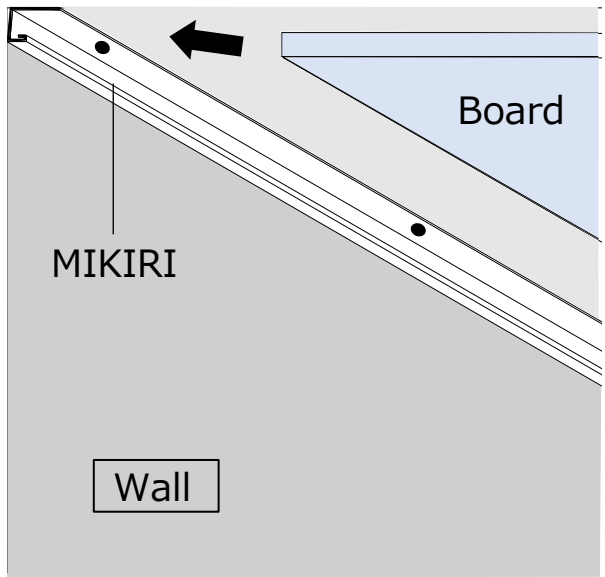


● Installation

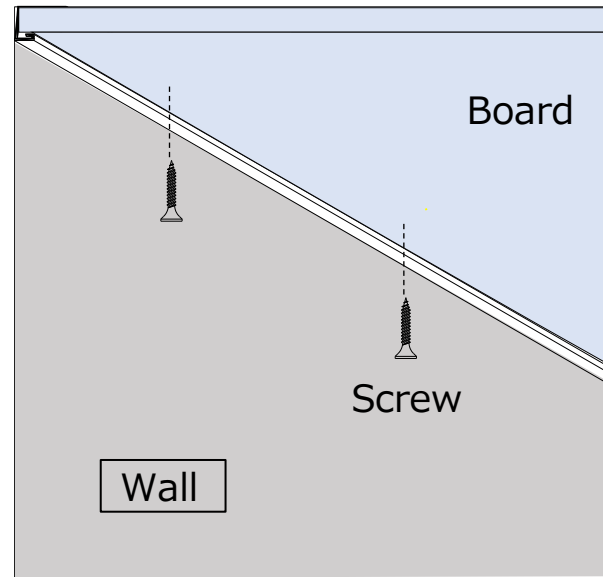
① Secure MIKIRI to ceiling along the wall with screws or staple



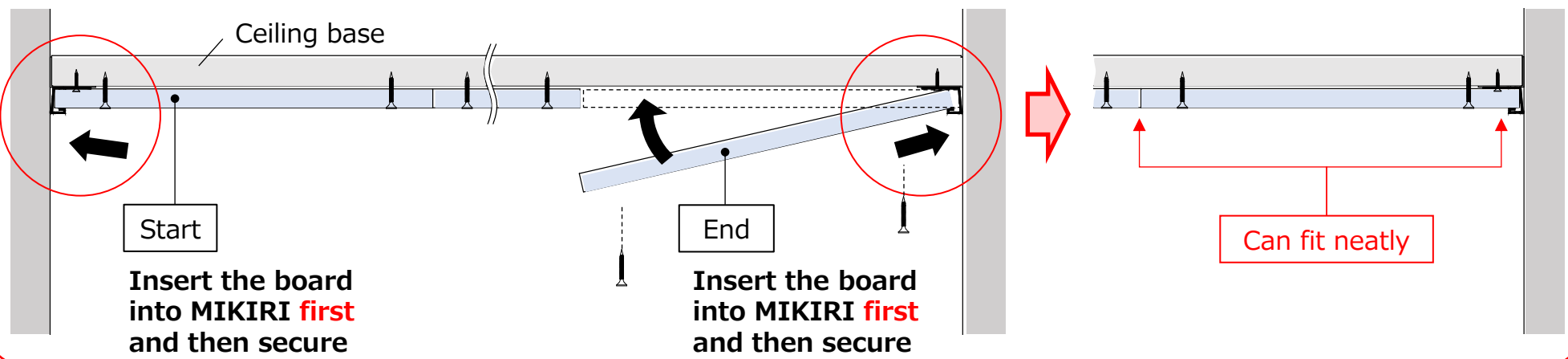
② Insert ceiling board into secured MIKIRI



③ Secure board to ceiling



Start and end of board insertion



Insert the board into MIKIRI **first** and then secure

Insert the board into MIKIRI **first** and then secure

Can fit neatly

● Construction example <MIKIRI>



■ HOTEL (HO CHI MINH / VIETNAM)



Looks **GOOD**

Beautiful straight line



Visible

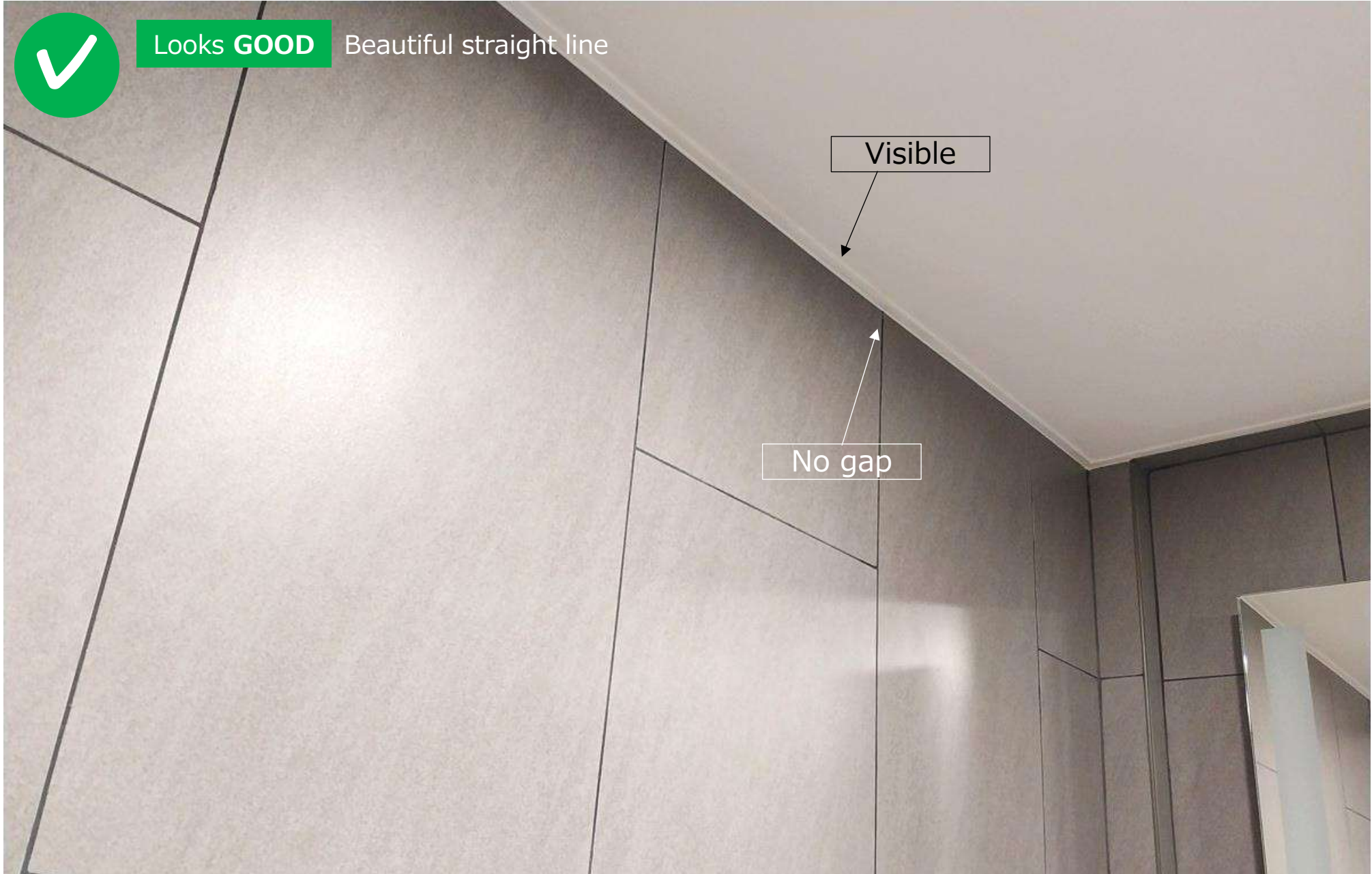
No gap

■ HOTEL (HO CHI MINH / VIETNAM)



Looks **GOOD**

Beautiful straight line



Visible

No gap

■ HOTEL (HO CHI MINH / VIETNAM)



Looks **GOOD**

Beautiful straight and shadow line

Invisible

With gap
(Shadow)



■ HOTEL (HO CHI MINH / VIETNAM)



Looks **GOOD**

Beautiful straight and shadow line

Invisible

With gap
(Shadow)

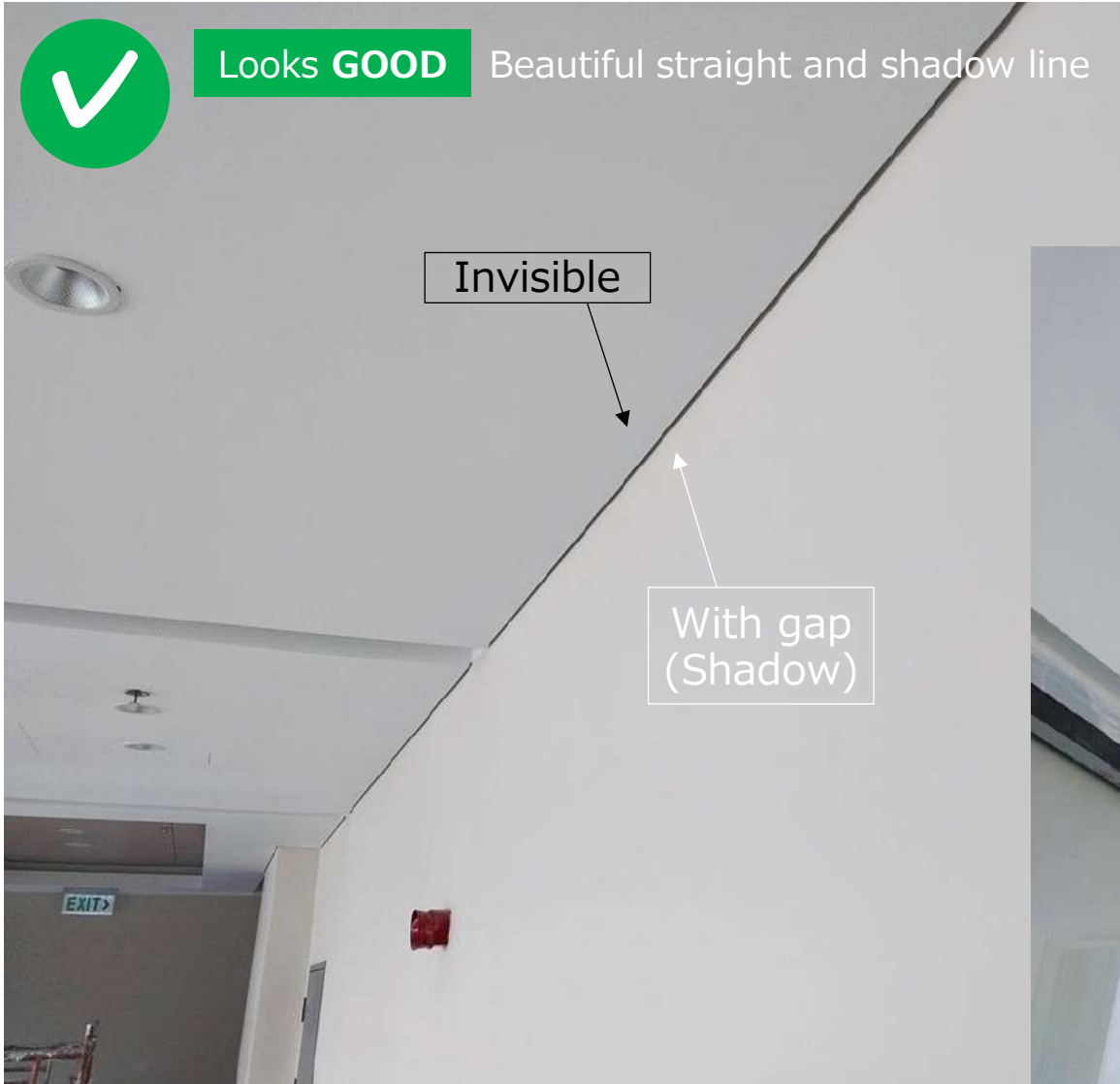


■ OFFICE (HO CHI MINH / VIETNAM)



Looks **GOOD**

Beautiful straight and shadow line



■ CONDOMINIUM (HO CHI MINH / VIETNAM)



Looks **GOOD**

Beautiful straight and shadow line

Invisible



With gap
(Shadow)



■ BUILDING (HO CHI MINH / VIETNAM)



Looks **GOOD** Beautiful straight and shadow line

Invisible

Invisible

With gap
(Shadow)

With gap
(Shadow)



■ OFFICE (HO CHI MINH / VIETNAM)



Looks **GOOD**

Beautiful straight and shadow line

Invisible

With gap
(Shadow)

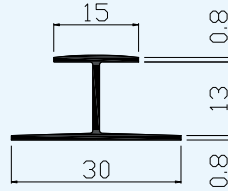


● Hide board edges, Prevent cracks

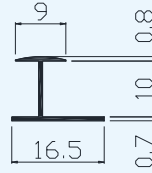
H type



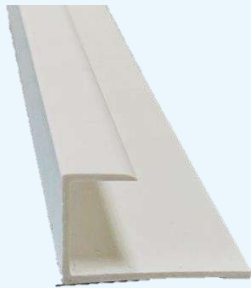
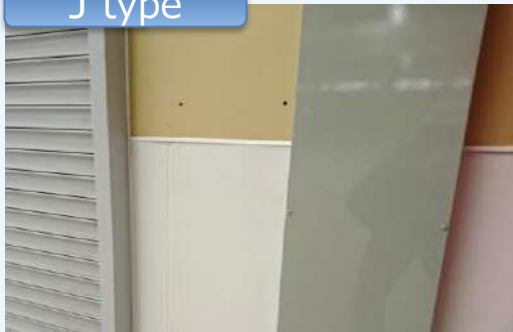
H125V



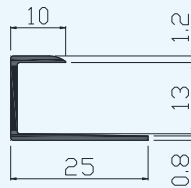
H95V



J type



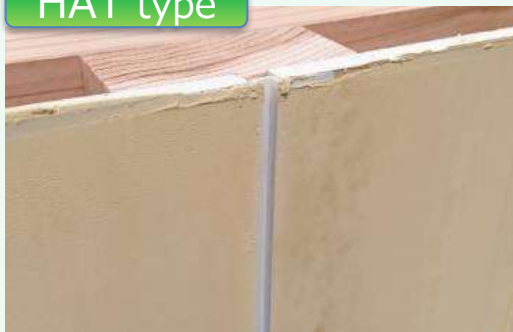
J125V



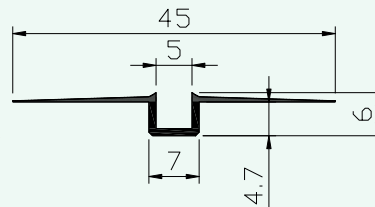
J95V



HAT type



HAT V5



Key features

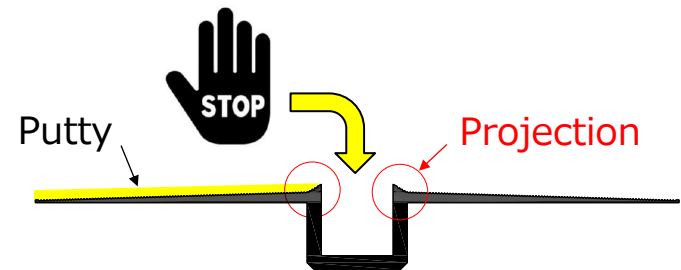
H type

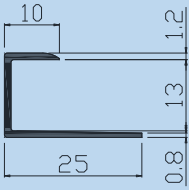
J type

- Easy joint treatment
- Easy to hide edges
- Suppresses scattering of gypsum powder
- Clean finish

HAT type

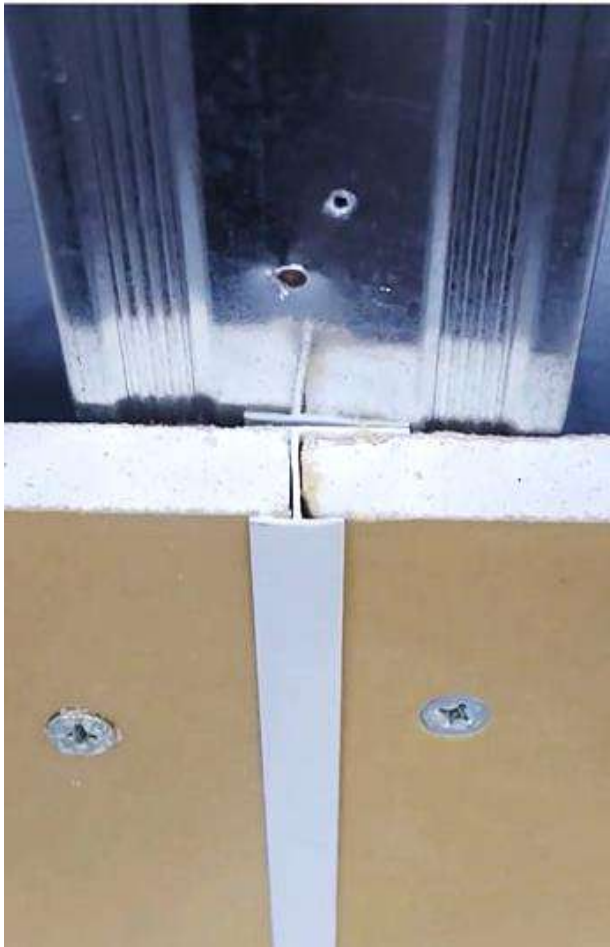
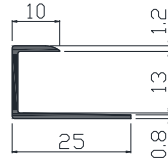
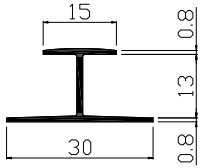
- Prevents cracks
- For paint finish
- Projection prevents putty from entering joints



JOINER	H type		J type		HAT type
	H125V	H95V	J125V	J95V	HAT V5
					
Material	PVC		PVC		PVC
Color	White		White		White
Length	2m	1.82m	2.42m	1.82m	2m
Attachable board thickness	12.5mm	9.5mm	12.5mm	9.5mm	12.5mm 9.5mm
MOQ	50pcs	300pcs	50pcs	300pcs	200pcs

● Purpose of JOINER (H type, J type)

To connect the joints of the wall board
To hide the edges of the wall board



Mainly, these are used for the walls of factories and warehouses



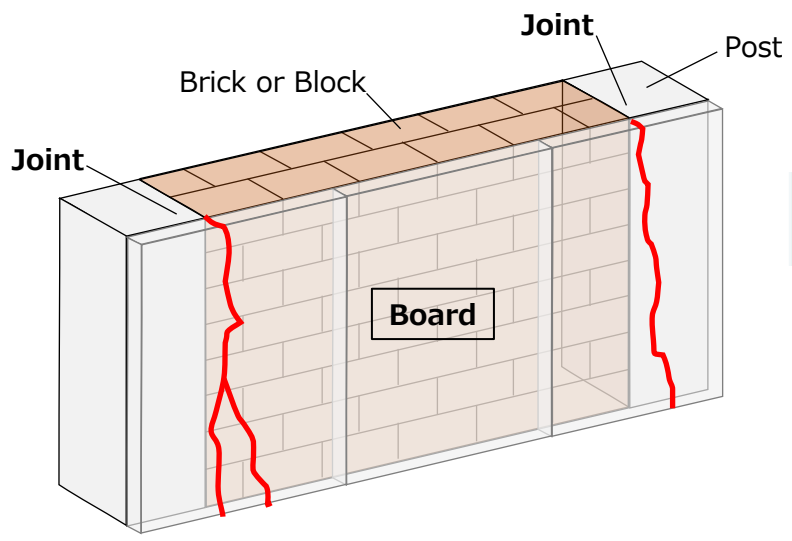
● Purpose of JOINER (HAT type)

To prevent cracks

<Wall without JOINER>

Random cracks

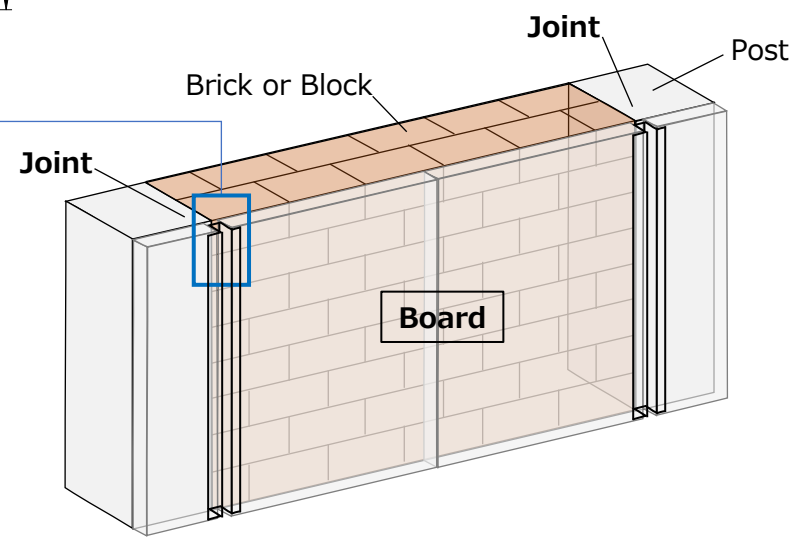
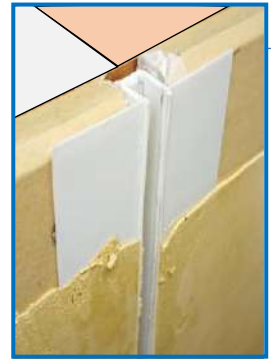
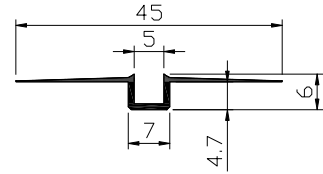
Looks **BAD**



<Wall with JOINER>

Prevent cracks

Looks **GOOD**



These are used for the walls of houses and stores that require a beautiful finish

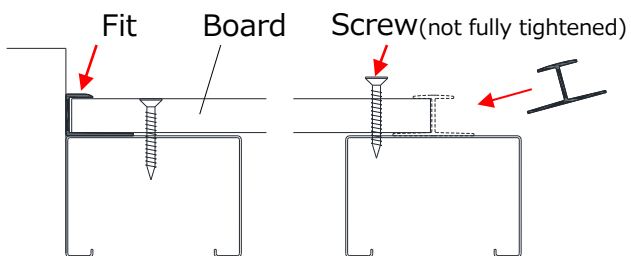
Two 3D illustrations: on the left, a modern multi-story apartment building with blue and white panels; on the right, a small storefront with a red awning and a sign that says 'Café'.

● Installation

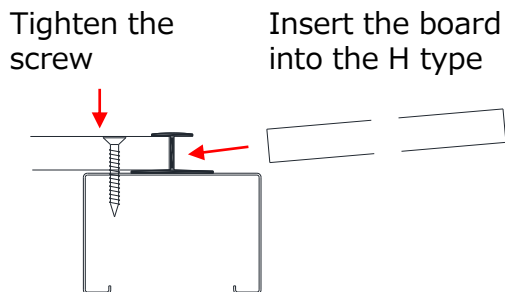
H type

J type

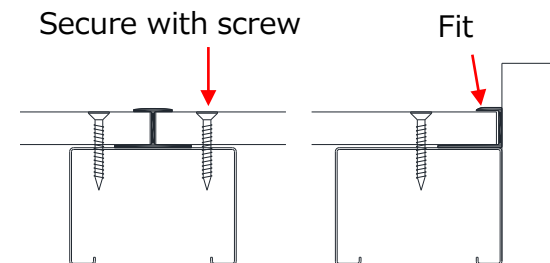
① Fit J type on the edge of board in advance. Then attach the board loosely with screws (Don't fully secure yet). Insert H type into the board



② Tighten the screws and insert the second board

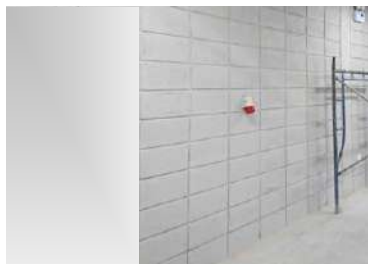


③ Fit J type on the edge of board in advance. Then secure the second board with screws

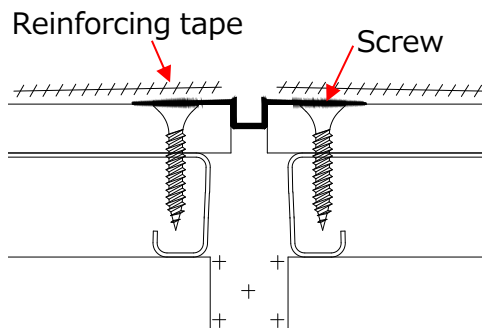
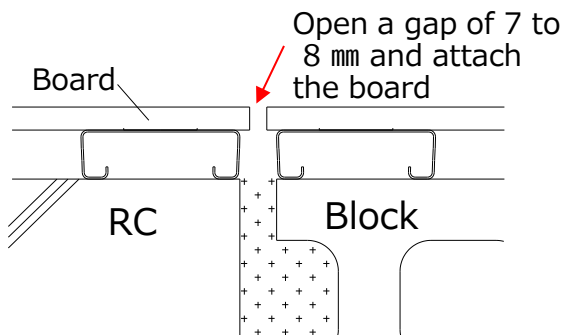


HAT type

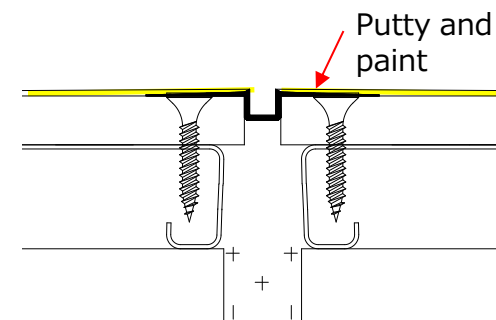
① Install the board



② Secure the HAT type with screws (500 mm pitch) and attach the reinforcing tape



③ Putty and paint

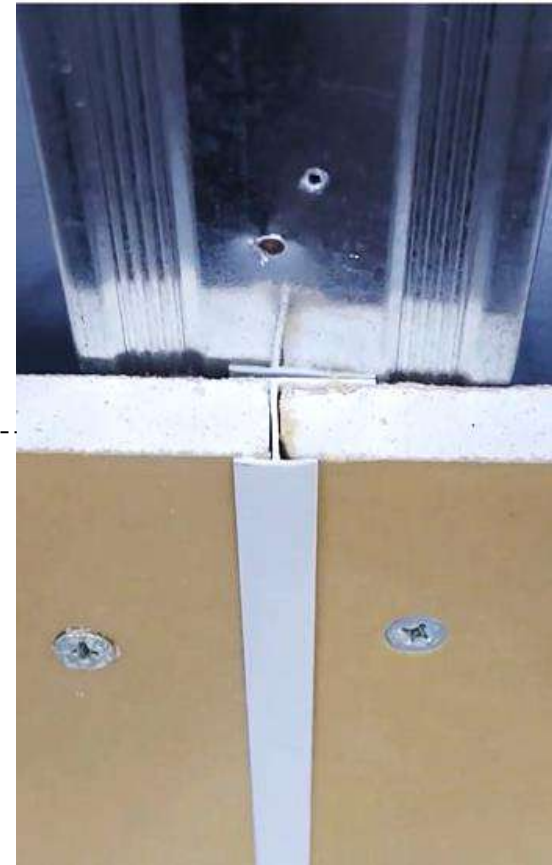


● Construction example <JOINER (H type) >

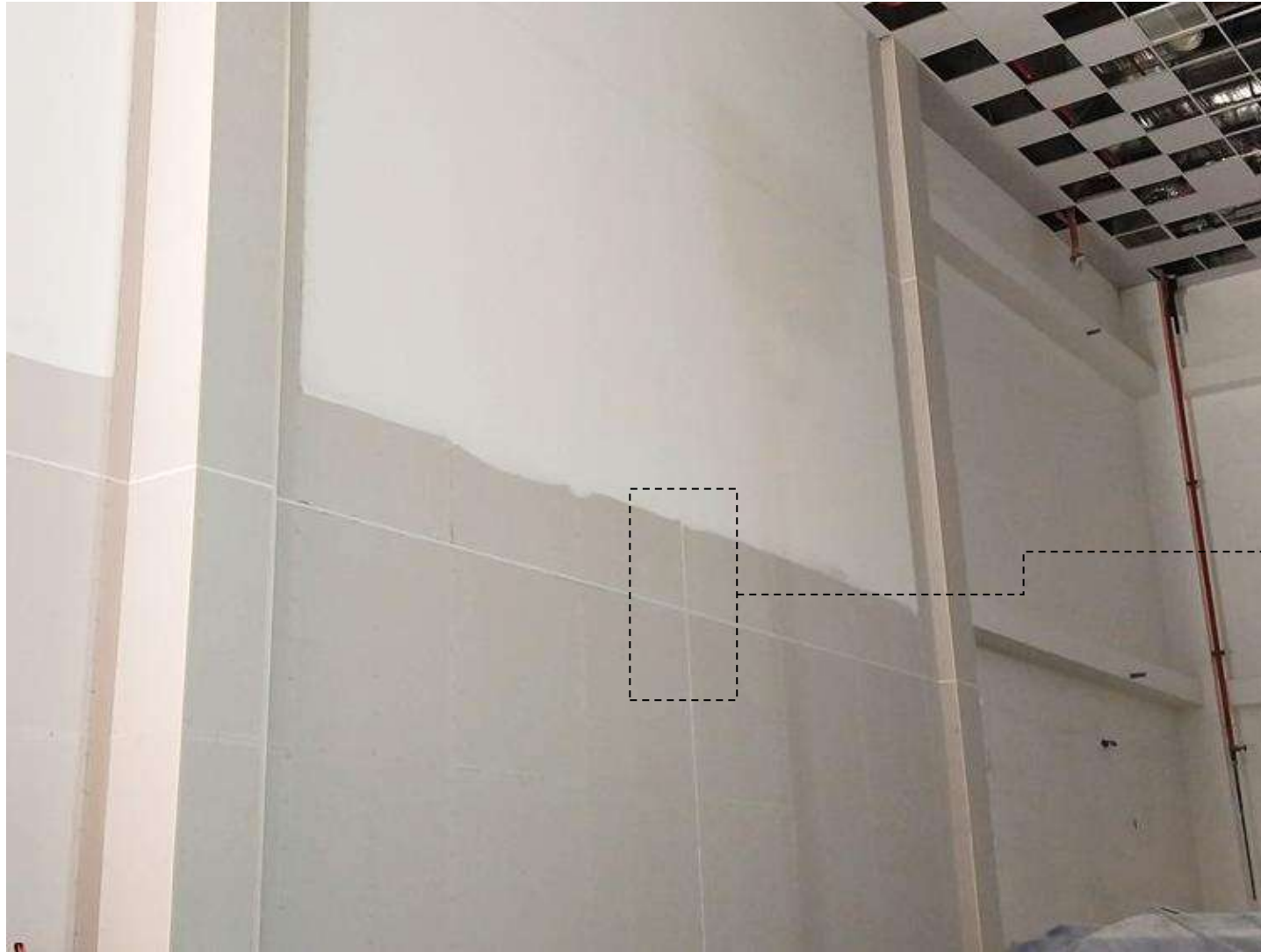
■ FACTORY (DONG NAI/VIETNAM)



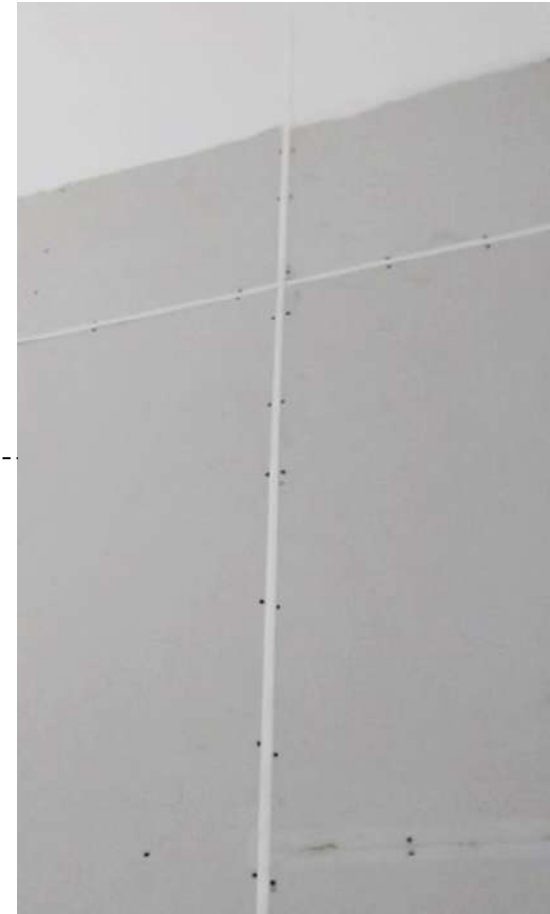
Connect the joint easily



■ FACTORY (LONG AN/VIETNAM)



- Connect the joints easily
- Control expansion and shrinking conditions



■ FACTORY (DONG NAI/VIETNAM)



<Wall with JOINER>
Prevent cracks

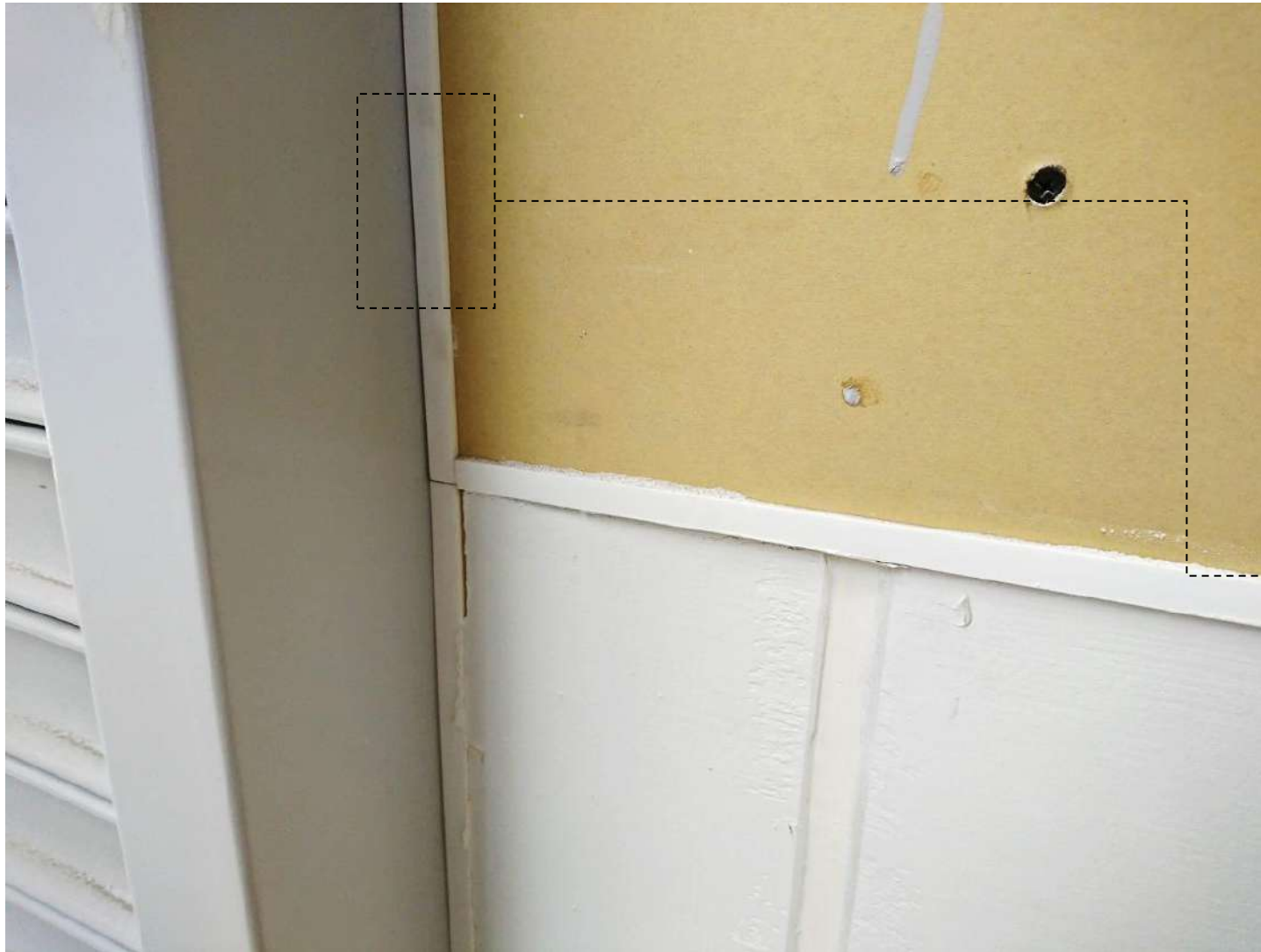


<Wall without JOINER>
Random cracks



● Construction example <JOINER (J type) >

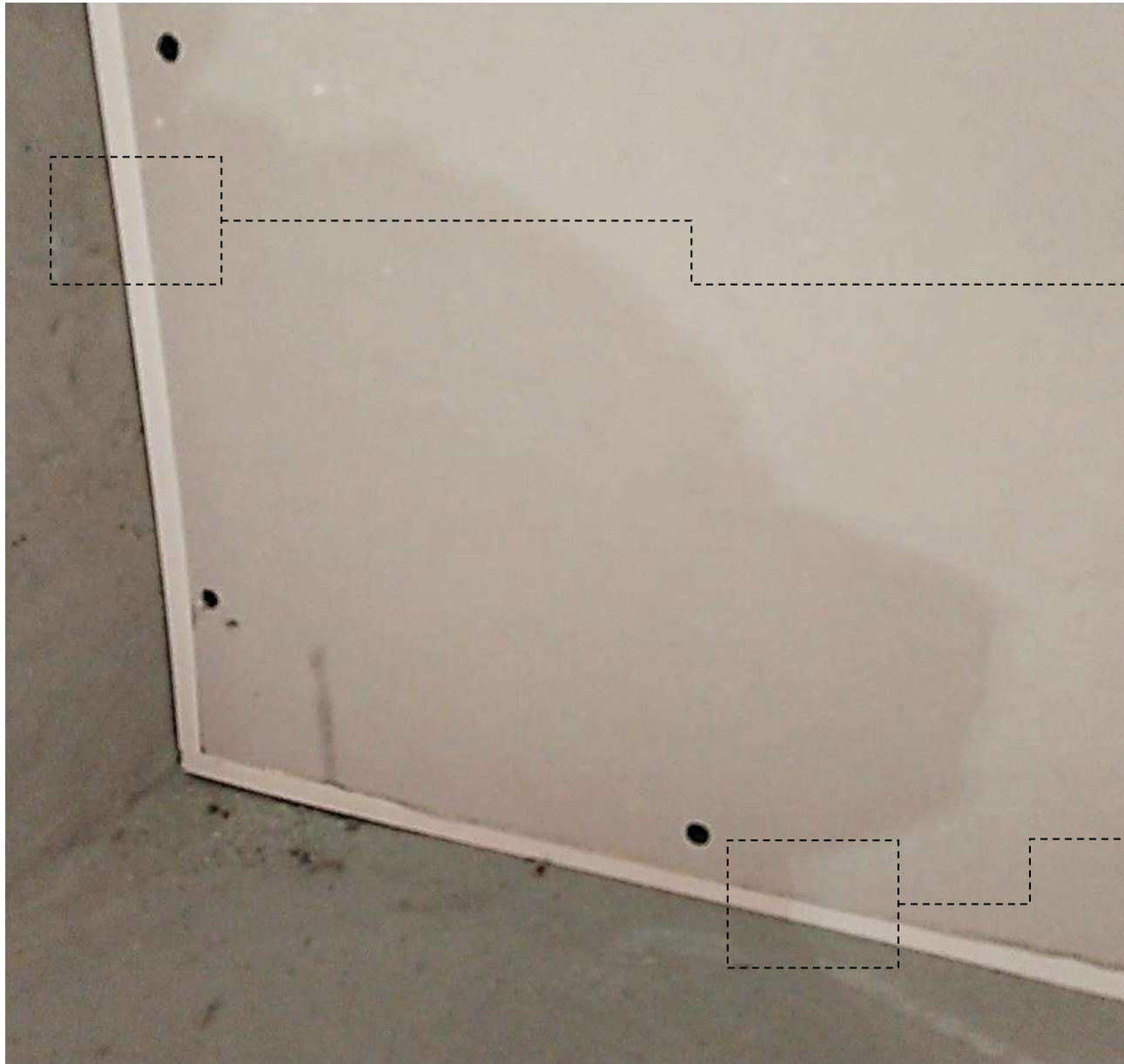
■ FACTORY (DONG NAI/VIETNAM)



Hide the edges easily



■ **FACTORY (LONG AN / VIETNAM)**



Match a post



Match a floor slab



■ FACTORY (LONG AN / VIETNAM)

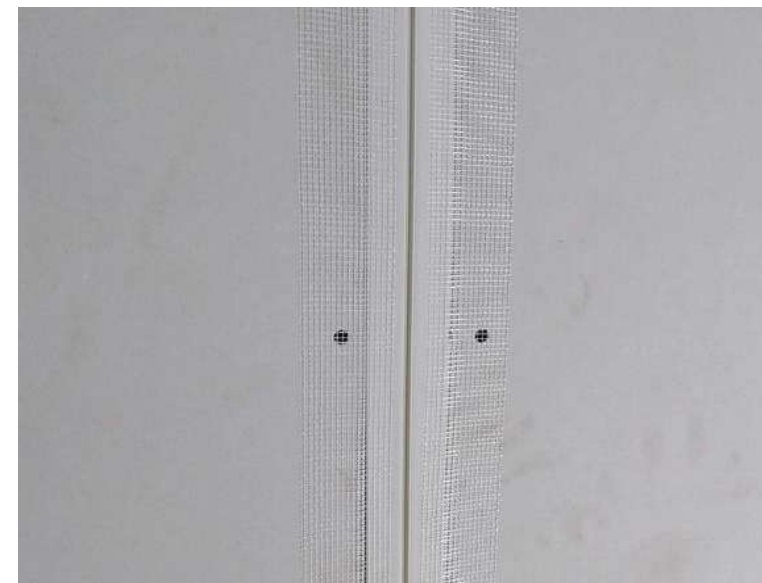


Match a door frame



● Construction example <JOINER (HAT type) >

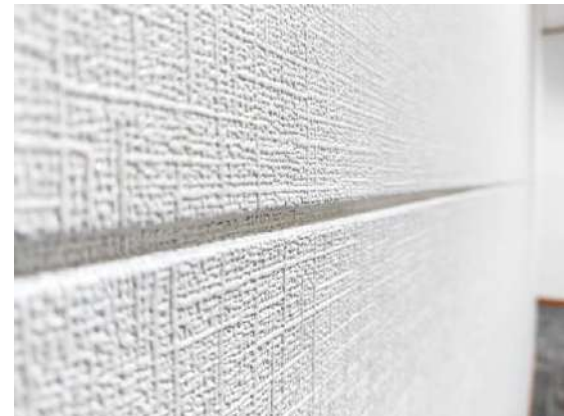
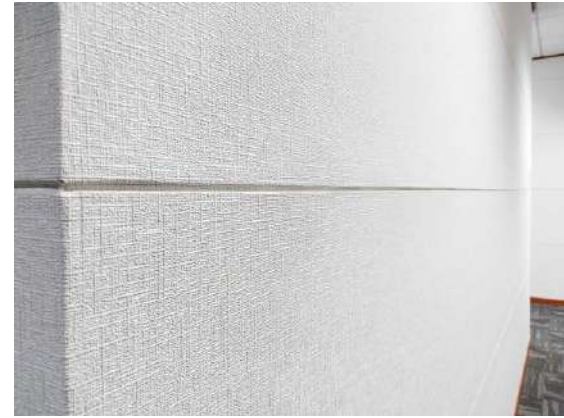
■ FACTORY (BA RIA-VUNG TAU /VIETNAM)



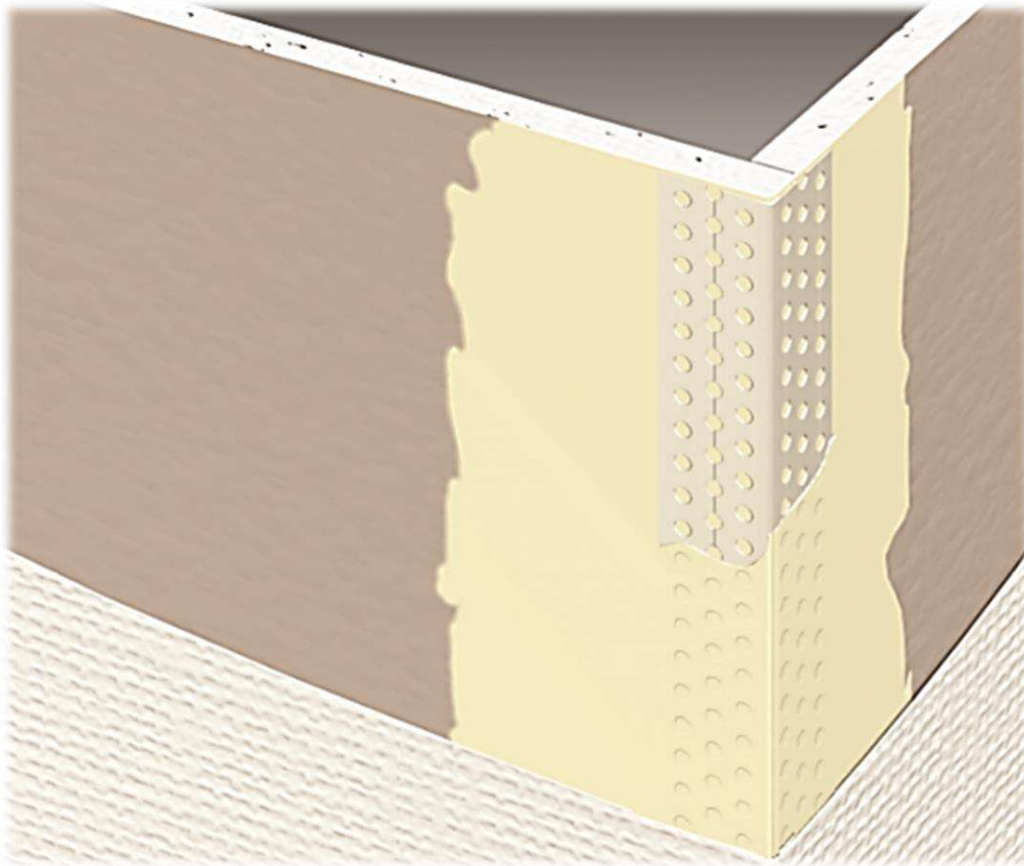
■ OFFICE (HO CHI MINH / VIETNAM) ※Example of using it as a design, not as a crack prevention



■ OFFICE (HO CHI MINH / VIETNAM)



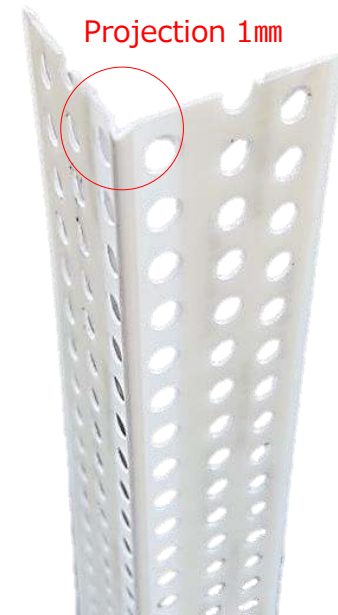
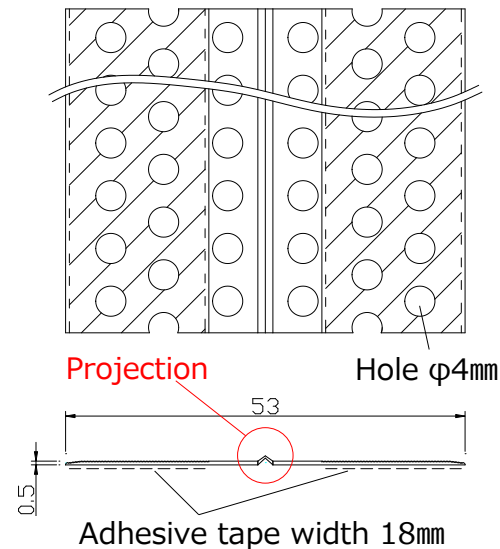
● Finish corners neatly



Key features

- Easy to install with double-sided tape
- Projection make it easier to apply putty
- Make straight corner lines
- Improves strength and protects corners from impact
- For paint finish or wallpaper finish
- Compact roll, convenient to carry and store

● Product drawing



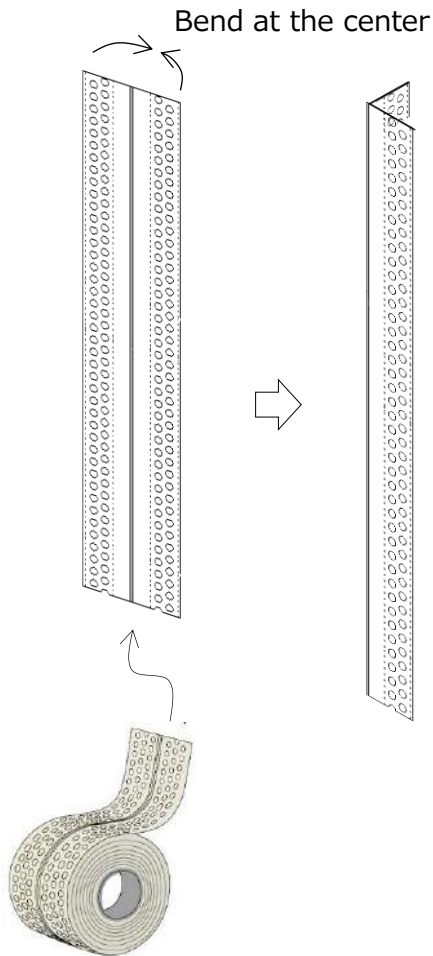
- Material : PVC
- Color : White
- Length : 50m (Roll)
- Width : 53mm (One side 26.5mm x 2sides)
- MOQ : 6 roll



● Installation

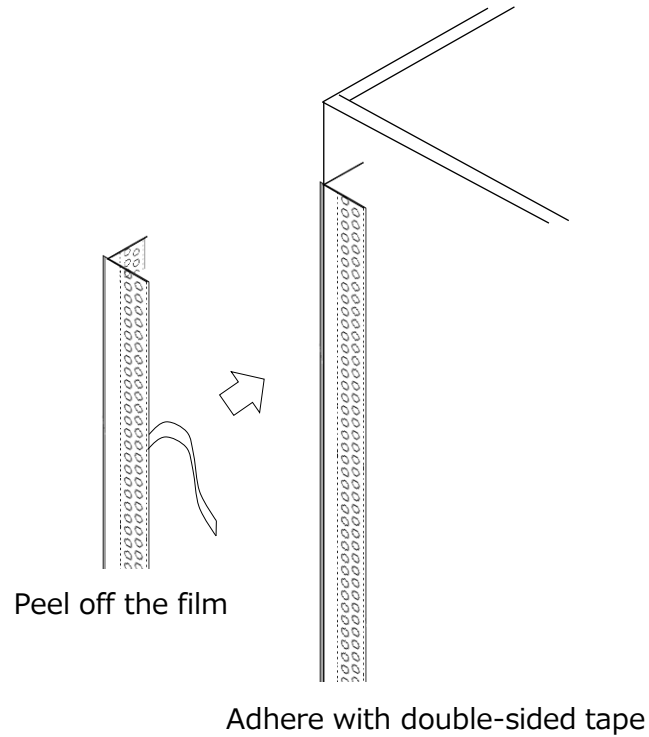
① Cut and bend

- Unroll the CORNER BEAD-B and cut it to the required length
- Next, bend in half down the length of the tape



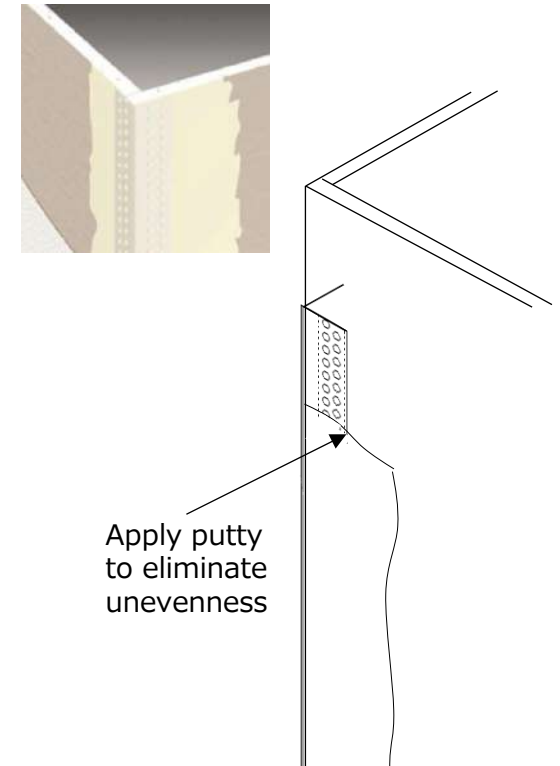
② Adhere to wall corner

- Peel off the backing film, and attach the corner tape to the corner of the wall

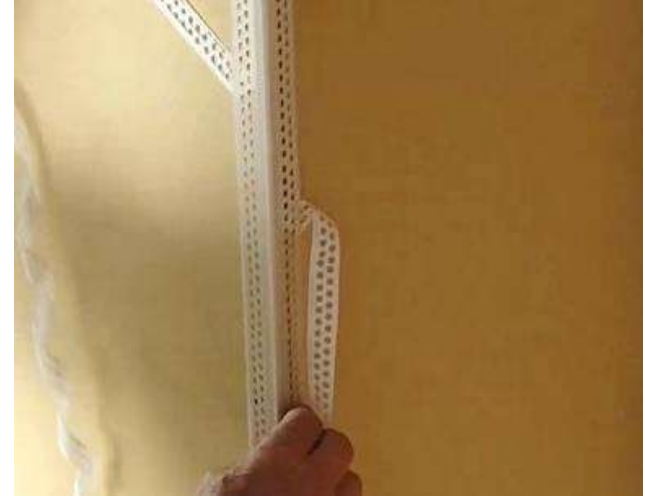


③ Apply Putty

- Apply putty to eliminate the step between the corner bead-B edge and the board.



● Construction example <CORNER BEAD-B>



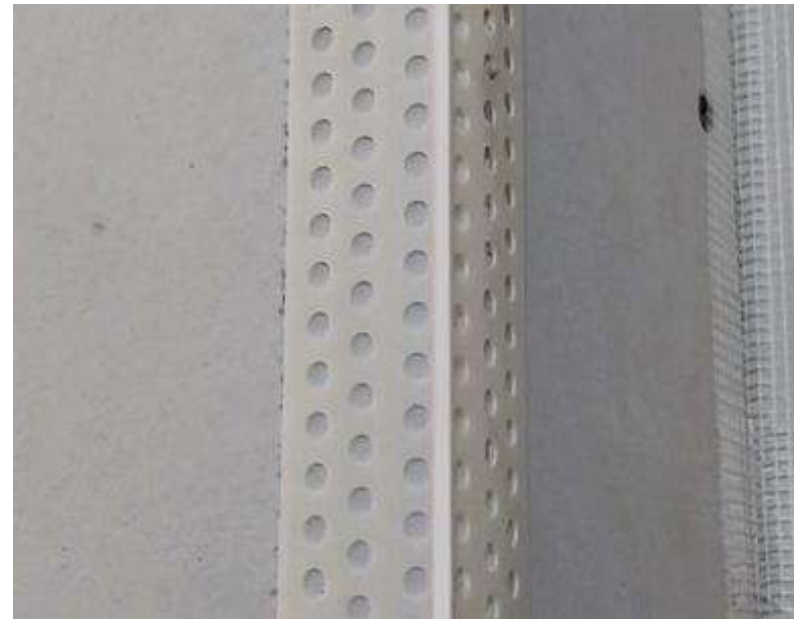
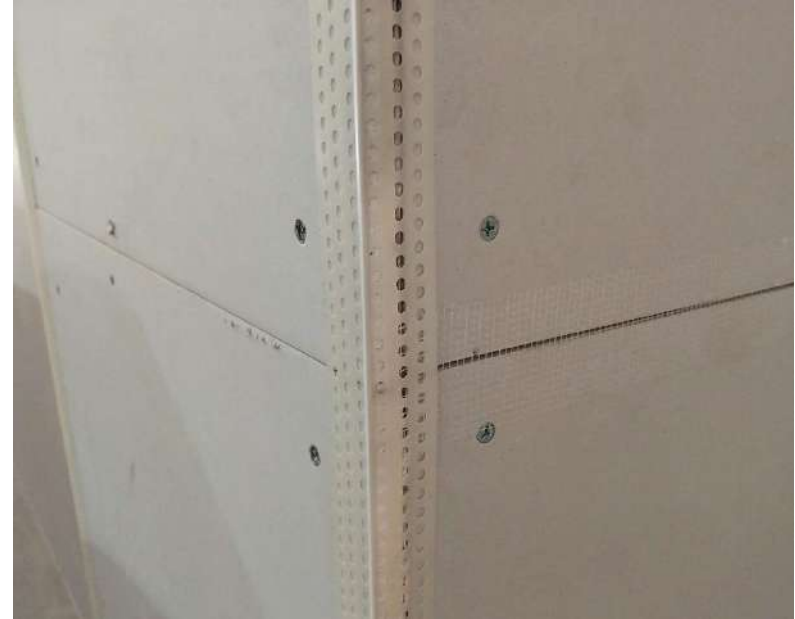
■ OFFICE (HO CHI MINH / VIETNAM)



■ FACTORY (HO CHI MINH / VIETNAM)



■ FACTORY (LONG AN / VIETNAM)



■ FACTORY (LONG AN/VIETNAM)



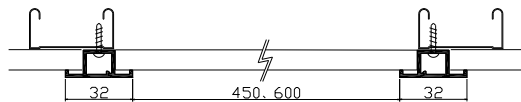
● Easy to open and close resin frame for ceilings



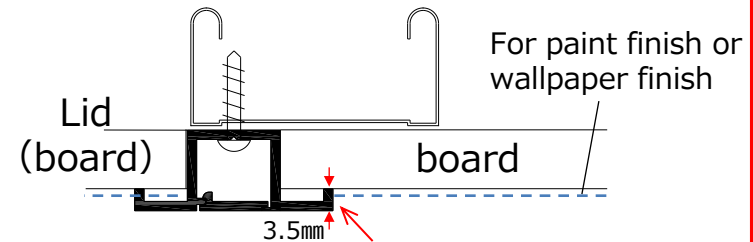
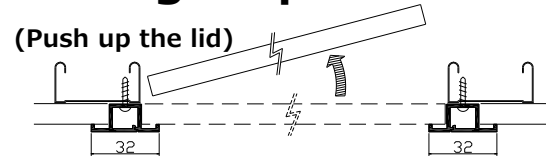
Key features

- Straight and clean frame
- Easy to install
- Light-weight lid is easy to open and close
- For paint finish or wallpaper finish
- Clean, neat appearance with either paint or wallpaper

● Installation drawing



● During inspection



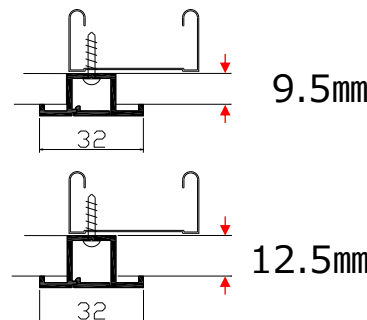
● **Material** : PVC

● **Color** : White

● **Size** : 450×450mm
600×600mm

● **Attachable board thickness** : 9.5、12.5mm

● **MOQ** : 25pcs



● Difference from general product

General Product



1. Dark line appears
2. Edges of the paint peel off easily
3. Heavy lid makes it difficult to push up
4. The heavy lid touches the hand strongly and easily gets dirty



● Difference from general product

FUKUVI - TENKENKO

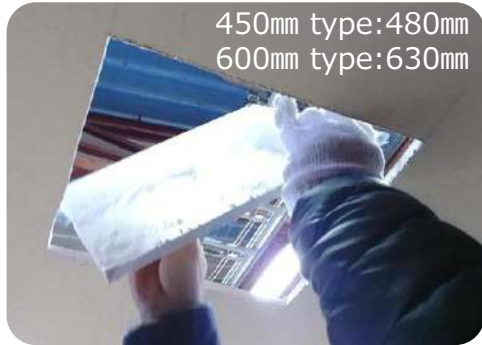


1. Lines do not appear (there is Straight and Clean frame)
2. Edges of the paint are hidden by the frame, making it difficult to peel off and even if it peels off, it is inconspicuous.
3. Light lid (Single layer) makes it easy to push up
4. Less likely to get dirty (compared to heavy lid)

Other: If you forget to install it, you can easily install it later.

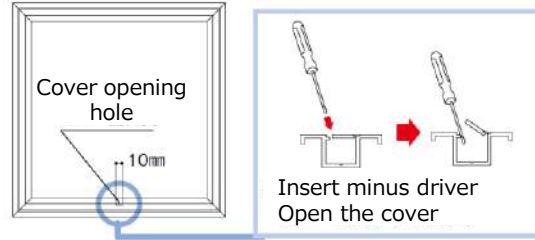
● Installation

① Cut a hole in the ceiling

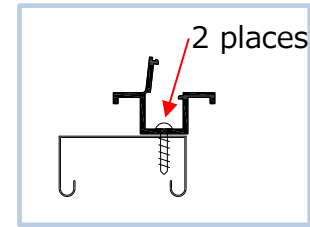
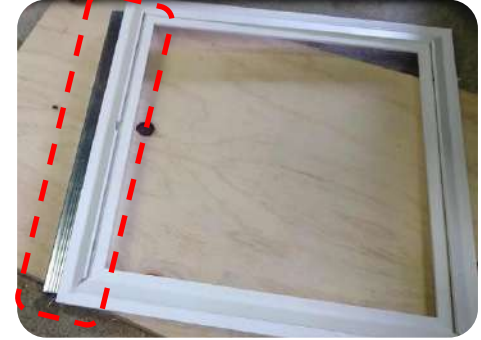


450mm type:480mm
600mm type:630mm

② Open the frame's cover

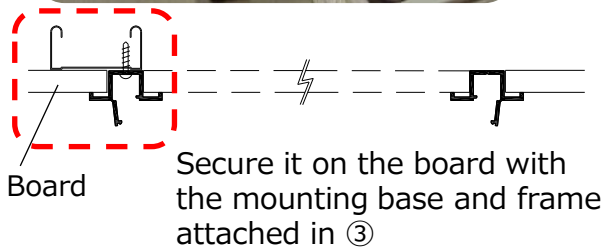


③ Attach the mounting base to one side of the frame

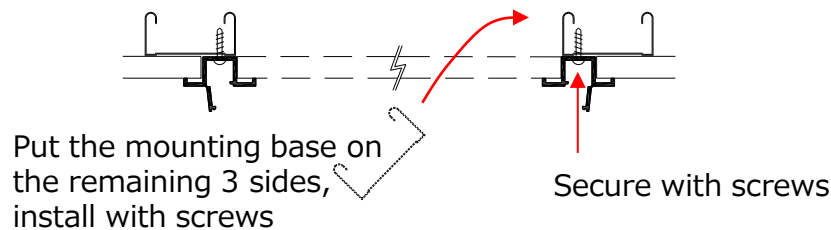


Attach the mounting base to one side of the frame with screws

④ Put the mounting base on the board



⑤ Secure to the frame with screws



⑥ Close the cover and put the lid on



● Construction example <TENKENKO-T>

Cut the board



Make the opening



Secure to the frame



Put the lid on



■ OFFICE (HO CHI MINH / VIETNAM)



■ OFFICE (HO CHI MINH / VIETNAM)

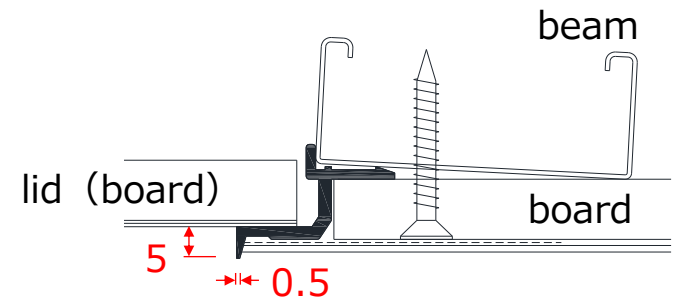


● Neat line, easy to open and close resin frame



Key features

- Neat, straight lines
- No gaps or dark lines
- Can be used with paint or wallpaper
- Beautiful finish
- Light weight lid

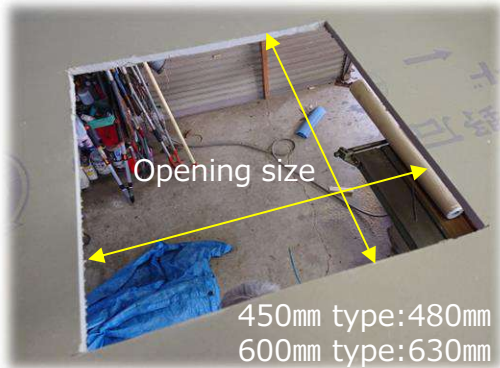


- Material : PVC
- Color : White
- Size : 450×450mm、600×600mm
- Attachable board thickness : 9.5mm
- MOQ : 25pcs



● Installation

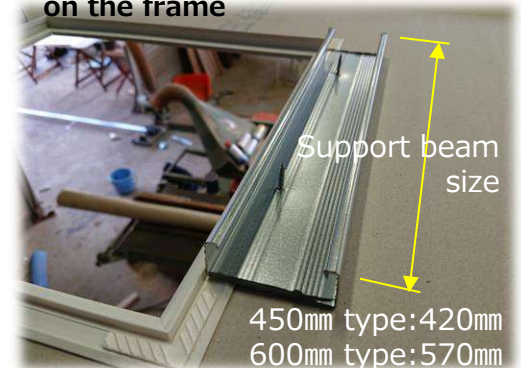
① Open a hole in the ceiling



② Insert the frame



③ Set the supporting beams on the frame



④ Attach the ceiling and supporting beams with screws



Sandwich the frame between the ceiling and the supporting beams



⑤ Put reinforcing tape on ceiling



⑥ Spread putty on and around the frame



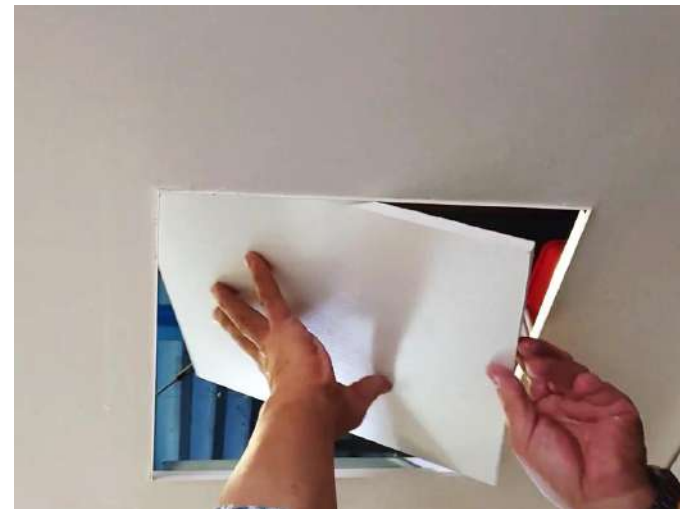
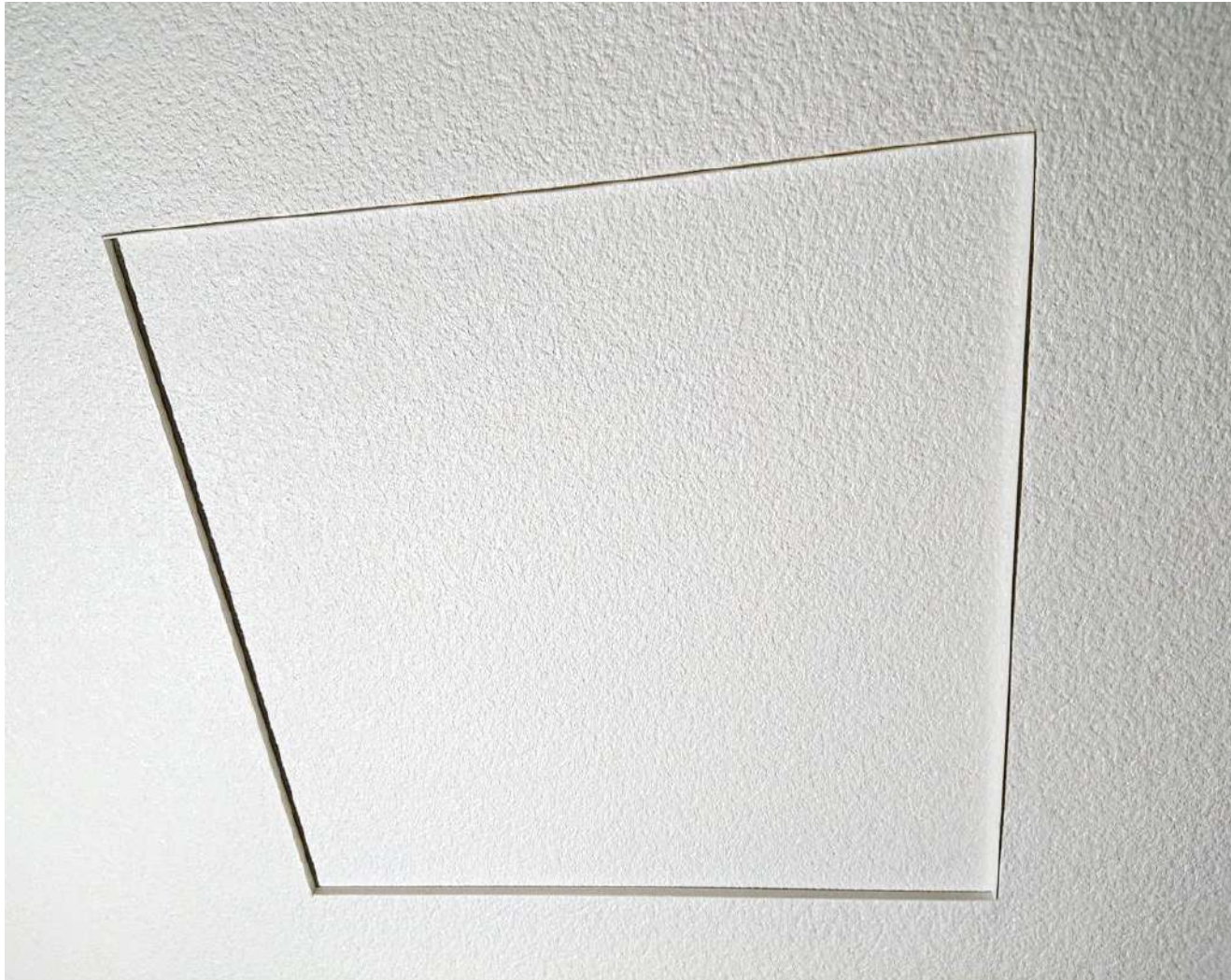
⑦ Paint or apply wallpaper



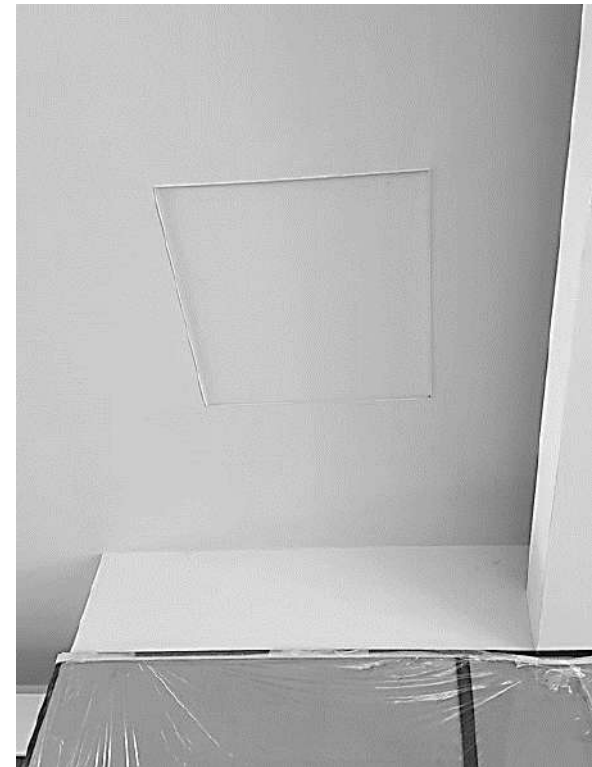
⑧ Set the lid



● Construction example <TENKENKO-V>



■ STANDALONE HOUSE (SAMUTPRAKARN / THAILAND)



■ HOSPITAL (CAMBODIA)



- Inspection opening frame for ceiling with a hanging lid that dose not get dirty easily

450 type



- **Material** : Aluminum
- **Color** : Silver
- **Size** : 450 type
600 type
1200×600 type
- **MOQ** : 1 set

Key features

- The lid is connected to the frame and hangs when open
- The lid doesn't get dirty easily when opening and closing
- The lid can be closed with a lock
- Clean and neat connection with paint and wallpaper
- Large equipment can be moved in and out



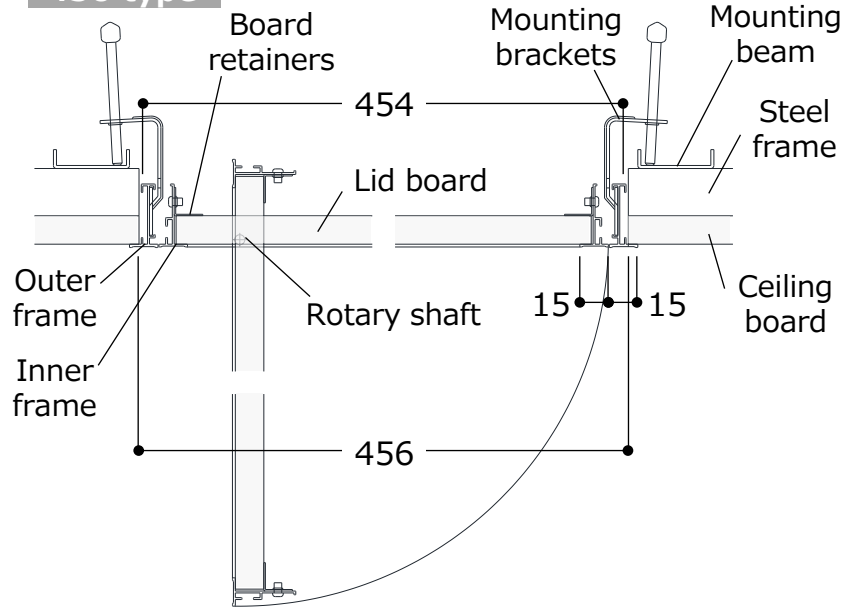
1200×600 type



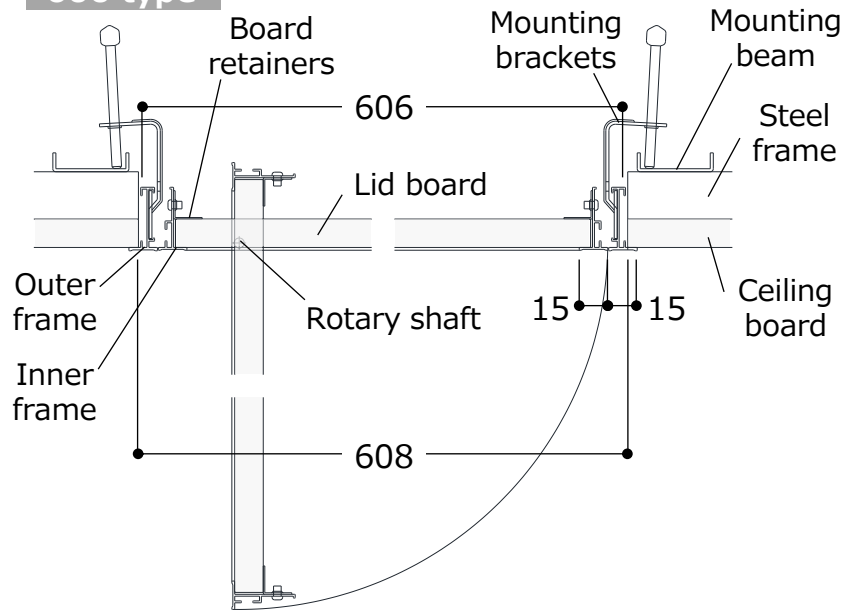
	450 type	600 type	1200×600 type
Frame	 <p>ALUMINUM 454×454mm</p>	 <p>ALUMINUM 606×606mm</p>	 <p>ALUMINUM 1194×606mm</p>
Attachable board thickness	4~27mm	4~27mm	4~27mm
Ceiling opening dimensions	456×456mm	608×608mm	1196×608mm
Inspection opening dimensions	436×364mm	588×516mm	1038×588mm
Accessories	<p>Board retainers Mounting Brackets</p> 	<p>Board retainers Mounting Brackets</p> 	<p>Board retainers Mounting Brackets</p>  <p>Fixing Brackets Hanging brackets</p>

● Installation drawing

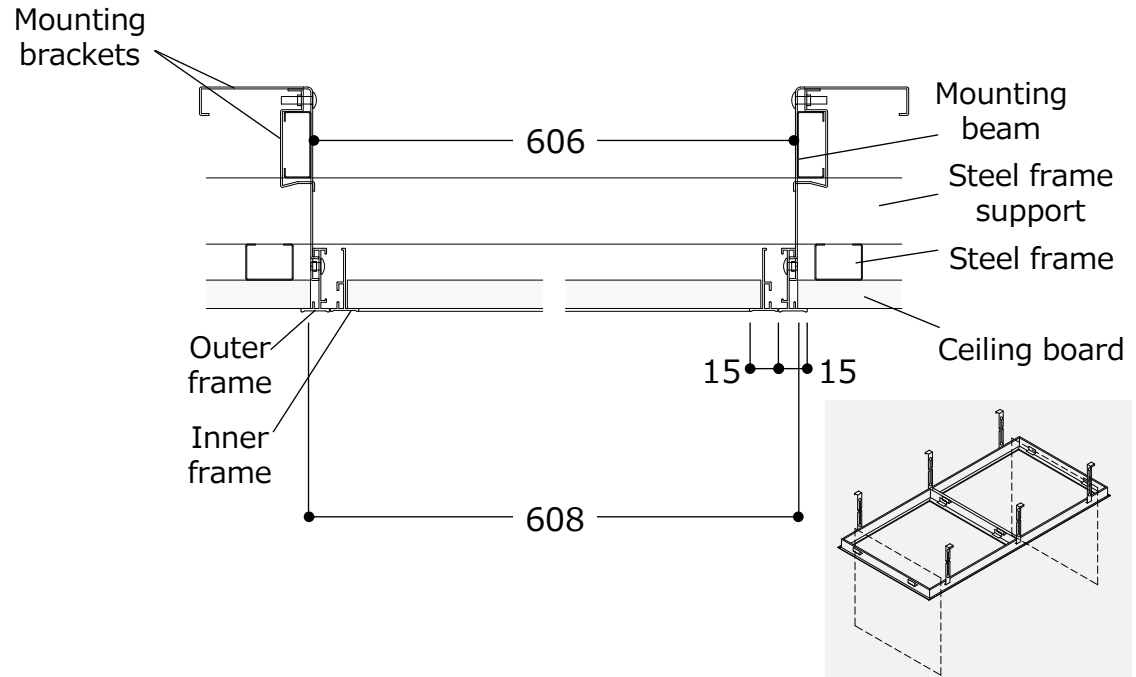
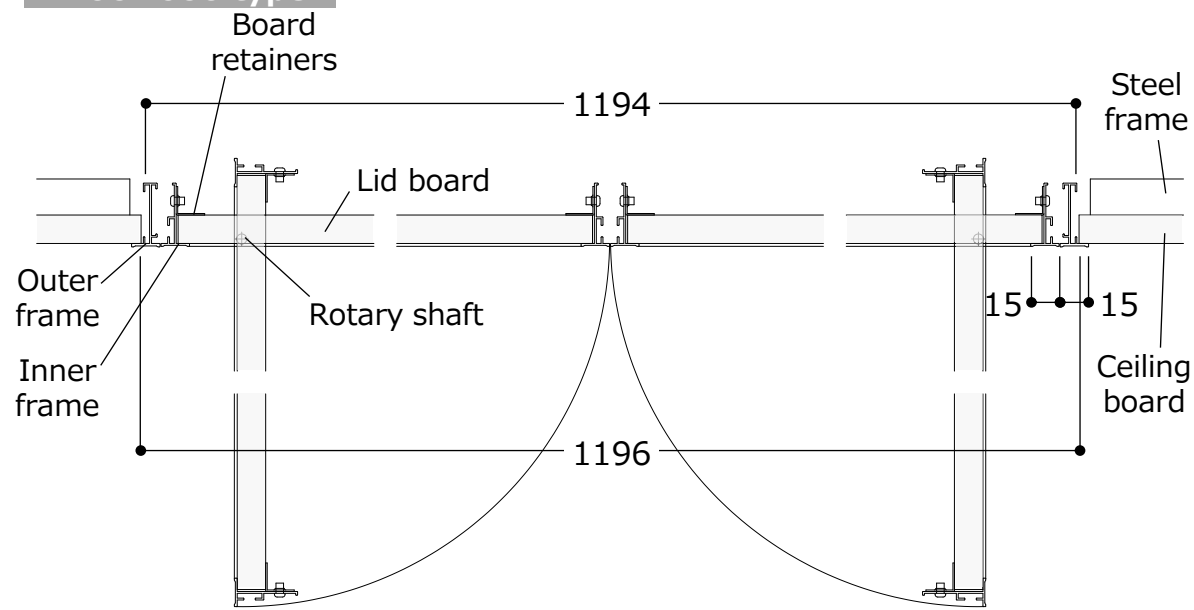
450 type



600 type



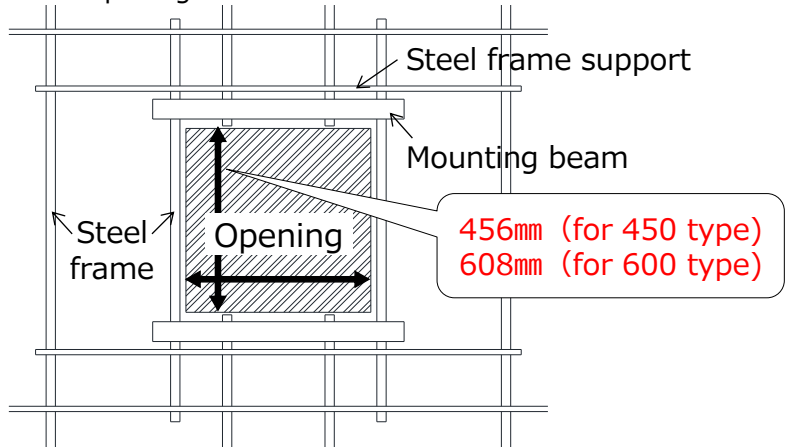
1200×600 type



● Installation (450, 600 type)

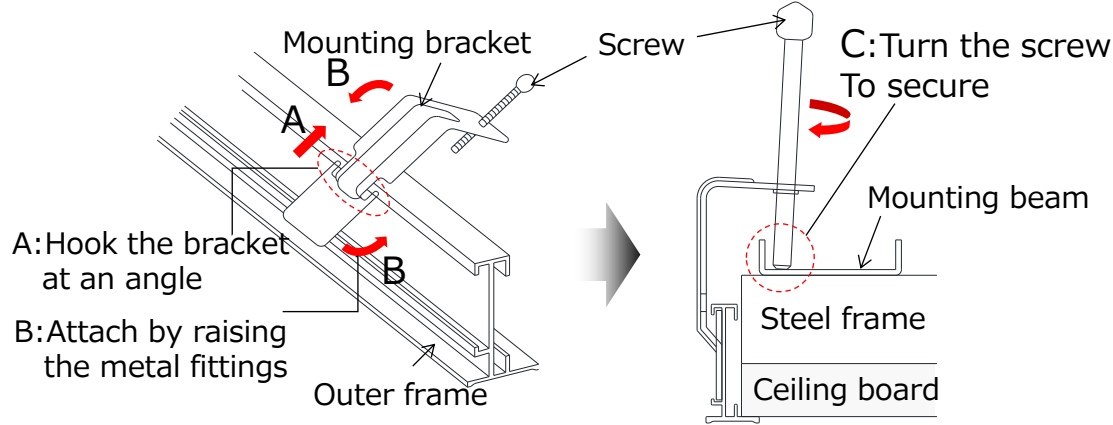
① Install the steel frame base, and create an opening in the ceiling material

- Mount the base (be sure to preserve the opening's integrity)
- Create an opening for the outer frame



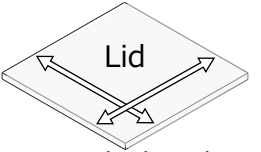
② Attach the outer frame to the mounting base (Lightweight steel base)

- Fit the outer frame into the opening
- Attach the mounting bracket to the outer frame (A, B)
- Turn the screw to secure it to the support beam (C)



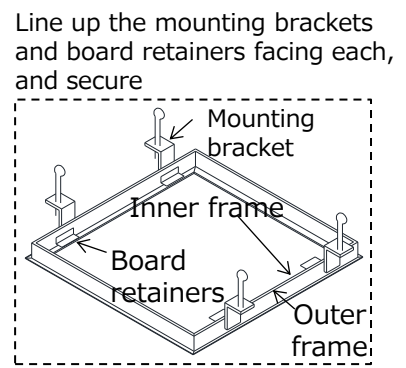
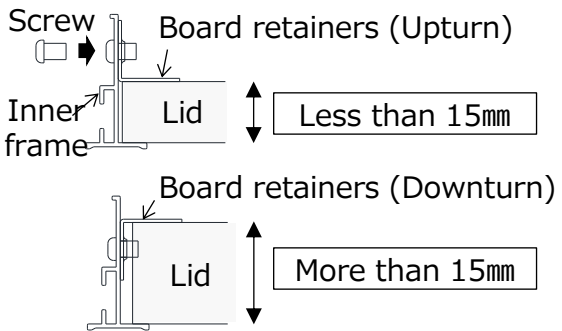
③ Secure the lid to the inner frame

- Lid thickness: Up to 25mm
- Cut the lid to fit the inner frame (Refer below)



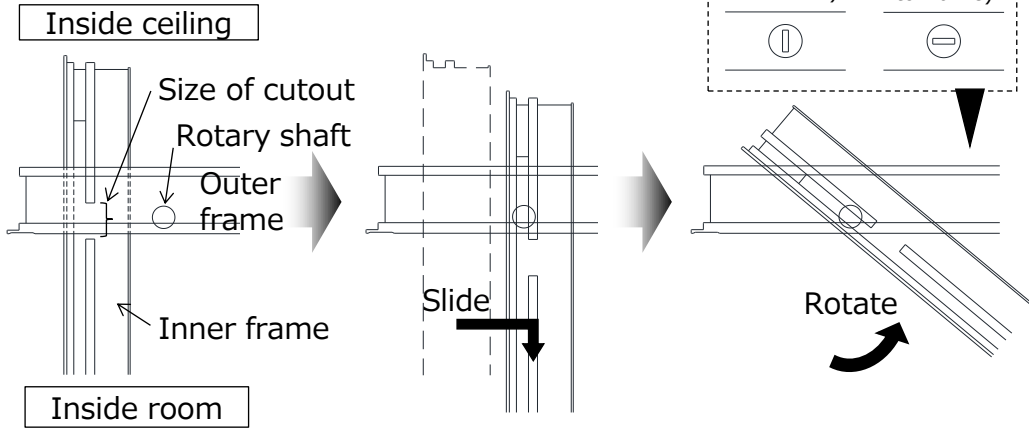
Product	Thickness	450 type	600 type
Lid dimensions	Less than 15mm	417mm	569mm
	More than 15mm	415mm	567mm

- Insert the board into the inner frame and secure the lid with board retainers
- ※ The direction of retainers will change depending on the thickness of the board



④ Attach the inner frame to the outer frame

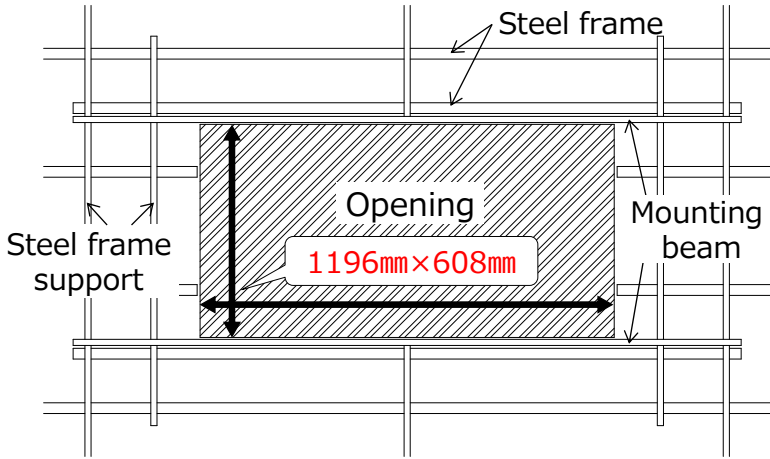
- Insert the inner frame into the outer frame
- Slide the inner frame onto the rotary shaft through the inner frame's cutout, then slide it down into place.
- Rotate the inner frame 90 degrees and turn the key 90 degrees to lock it



● Installation (1200×600 type)

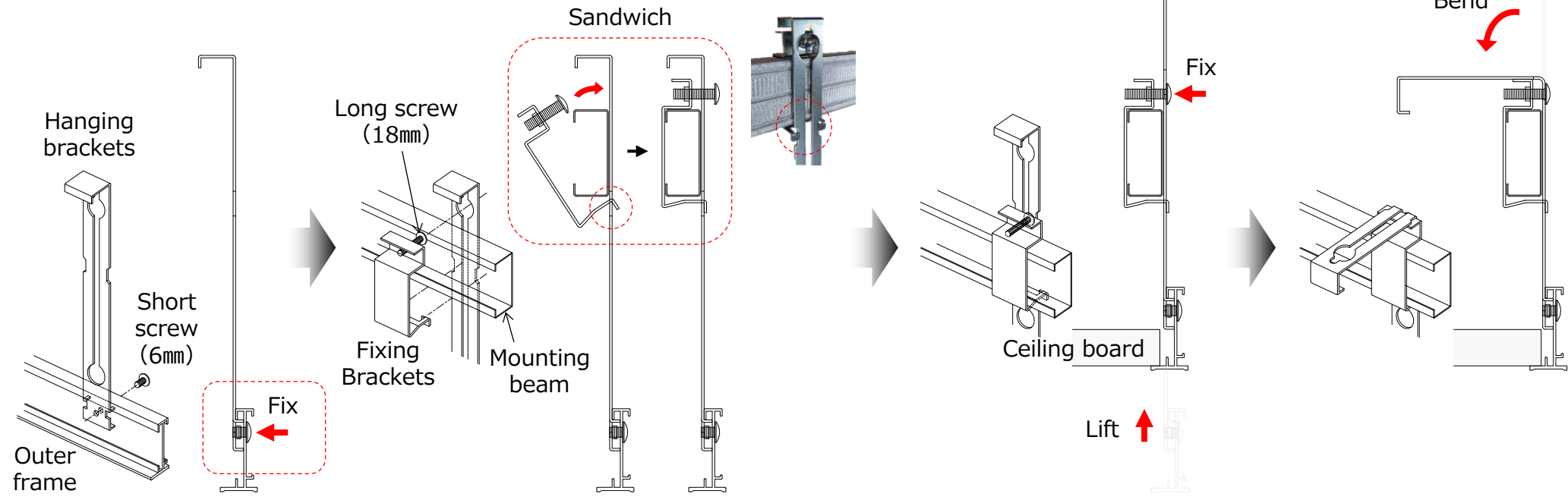
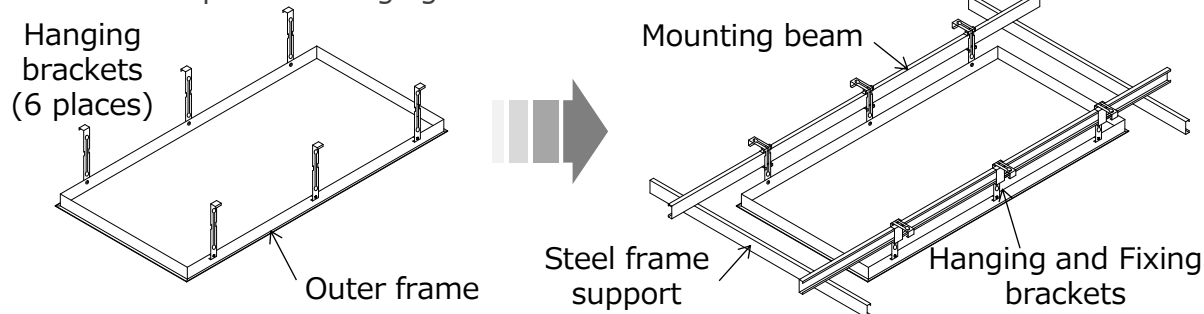
① Install the steel frame base, and create an opening in the ceiling material

- Mount the base (be sure to preserve the opening's integrity)
- Create an opening for the outer frame



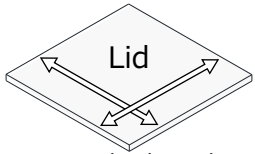
② Attach the outer frame to the mounting base (Lightweight steel base)

- Fix six hanging brackets to the outer frame with short screws, and then fit them into the opening
- After attaching the long screw to the fixing bracket, sandwich the mounting beam between hanging brackets and fixing brackets
- Lift the outer frame, align it to the ceiling, and then secure it with long screws
- Bend the top of the hanging bracket



③ Secure the lid to the inner frame

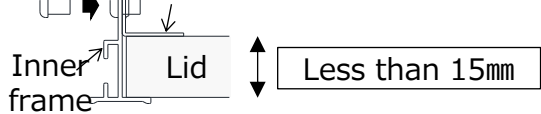
- Lid thickness: Up to 25mm
- Cut the lid to fit the inner frame (Refer below)



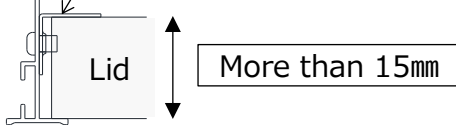
Product	Thickness	1200×600 type
Lid dimensions	Less than 15mm	569mm
	More than 15mm	567mm

- Insert the board into the inner frame and secure the lid with board retainers
- ※The direction of retainers will change depending on the thickness of the board

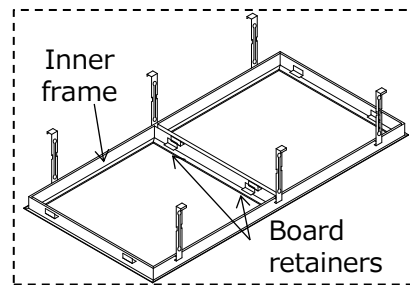
Screw → Board retainers (Upturn)



Board retainers (Downturn)



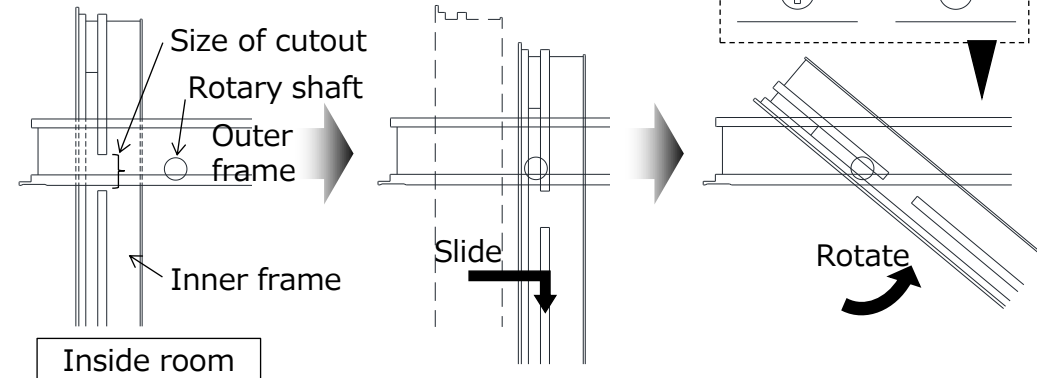
Line up the board retainers facing each, and secure



④ Attach the inner frame to the outer frame

- Insert the inner frame into the outer frame
- Slide the inner frame onto the rotary shaft through the inner frame's cutout, then slide it down into place.
- Rotate the inner frame 90 degrees and turn the key 90 degrees to lock it

Inside ceiling



✘ After installation or during inspection, do not stand on the frame.
Standing on it will damage the frame.

✘ When opening the lid, for safety, support it with your hand.
If not supported, the lid will open with force, creating a dangerous situation.

● Construction example <Aluminum TENKENO-N>

■ FACILITY (HO CHI MINH / VIETNAM) 600 type



■ SHOP (HO CHI MINH / VIETNAM) 600 type



■ BUILDING (TOKYO/JAPAN) 450 type



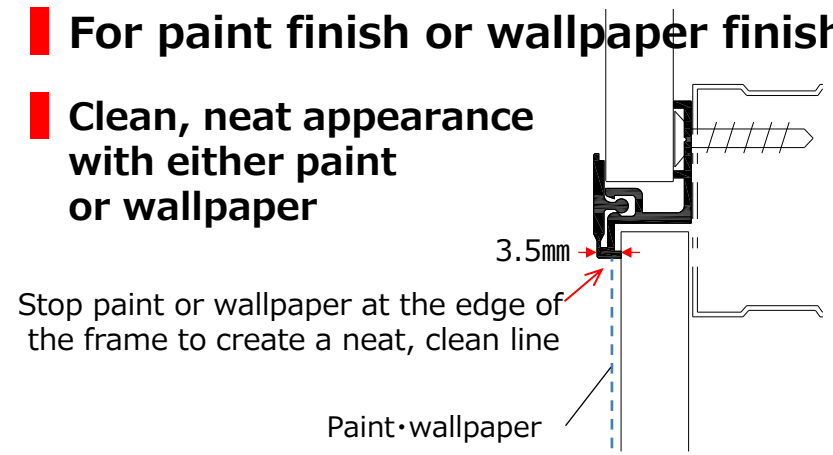
● Easy open/close wall frame



- **Material** : PVC
- **Color** : White
- **Size** : 200×200mm
250×250mm
300×300mm
- **Attachable Board Thickness** : 9.5、12.5mm
- **MOQ** : 25pcs

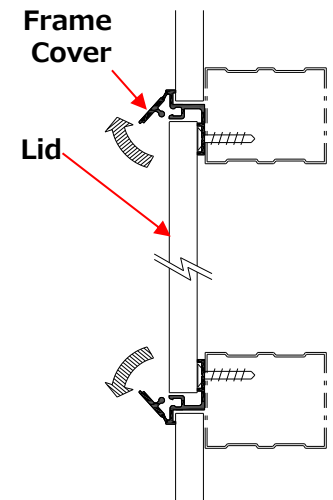
Key features

- **Neat Frame (width of 15mm)**
- **Easy open/close**
- **For paint finish or wallpaper finish**
- **Clean, neat appearance with either paint or wallpaper**



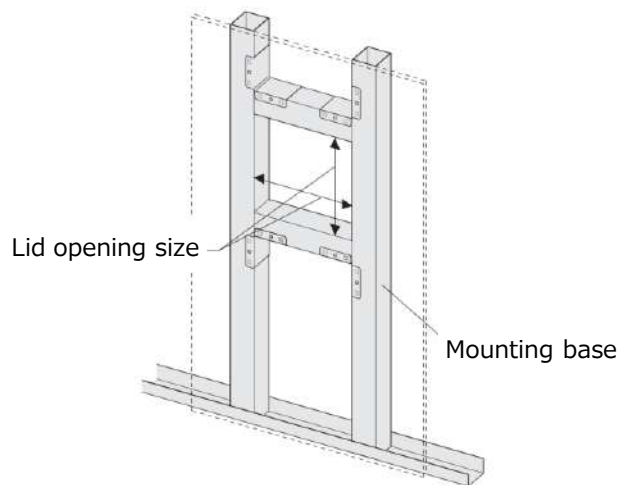
● Opening and Closing Method

open the frame cover and remove the inner lid

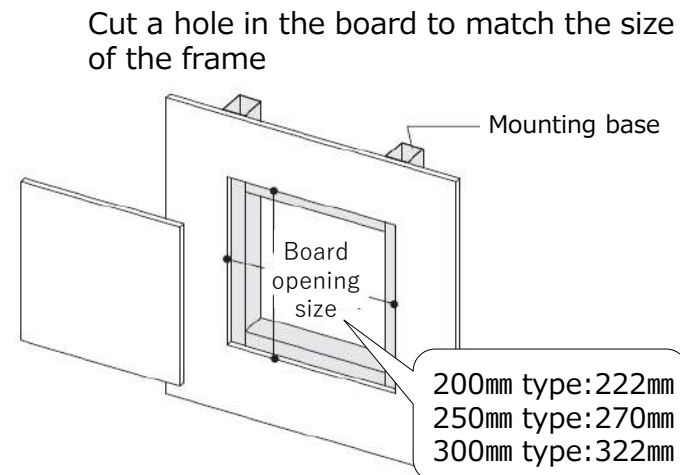


● Installation

① Install base structure

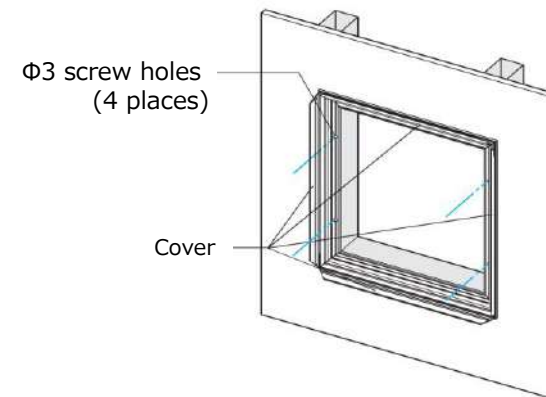


② Prepare board opening and inner lid

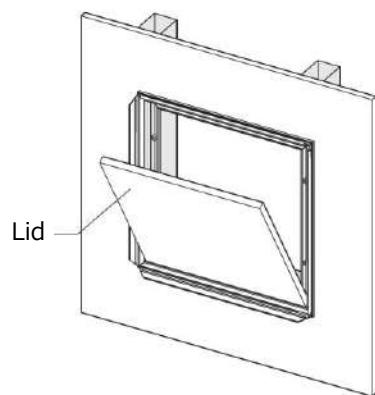


③ Frame installation

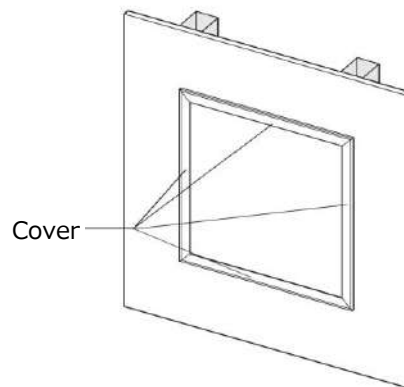
Open the cover and secure the frame to the mounting frame with screws



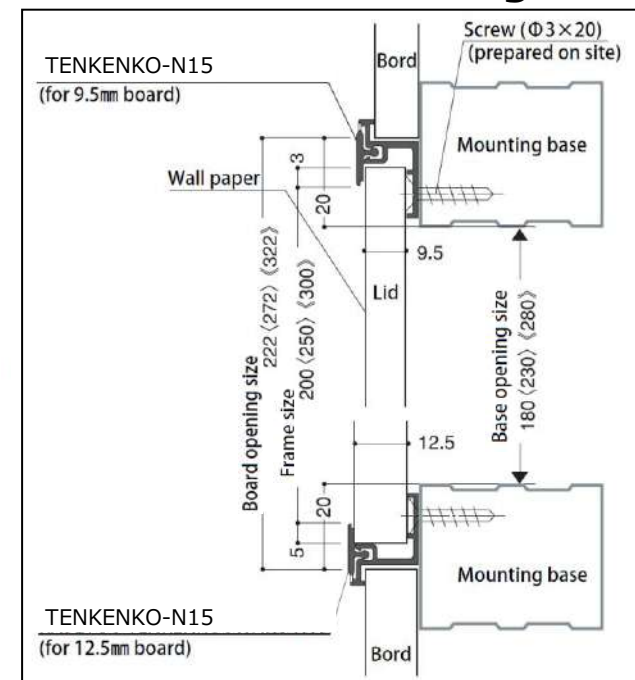
④ Lid Installation



⑤ Close the cover



● Installation drawing



● Construction example <TENKENKO-N15>

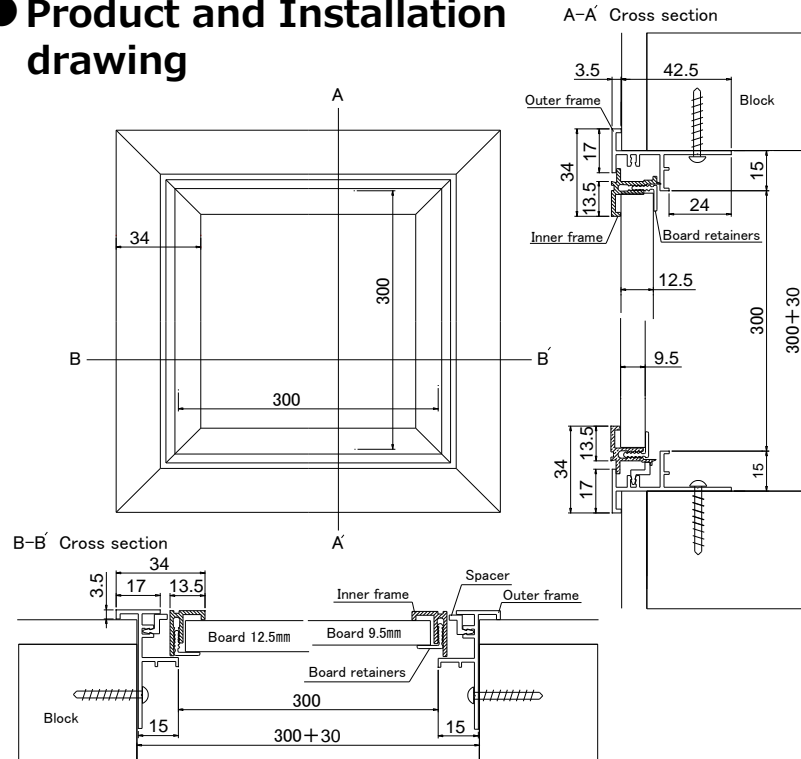


- Easy access to interior wall space for inspection of pipes



- Material : PVC
- Color : White
- Size : 300×300mm
- Attachable board thickness : 9.5、12.5mm
- MOQ : 10set

● Product and Installation drawing

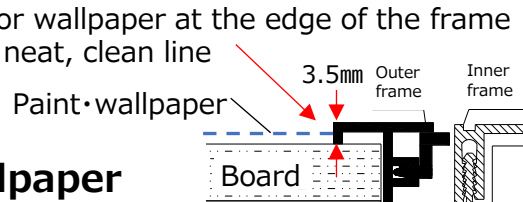


Key features

- Easy method to inspect pipes inside walls
- Easy to open (Raise the lid slightly to open)
- Attachable board thickness 9.5mm or 12.5mm

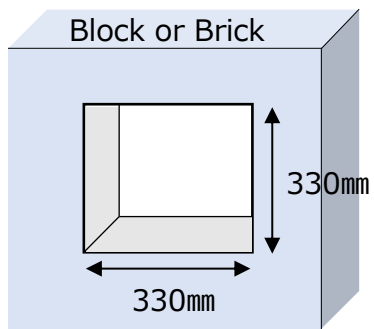
■ Light weight Stop paint or wallpaper at the edge of the frame to create a neat, clean line

■ Clean, neat appearance with either paint or wallpaper

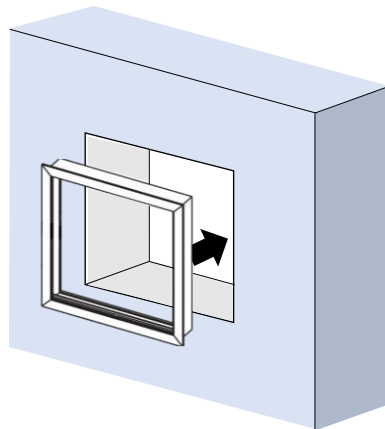


● Installation

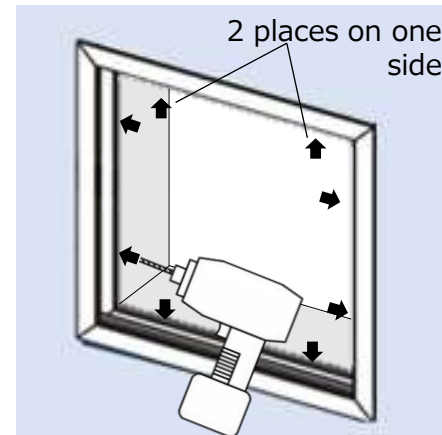
① Cut a hole in the wall



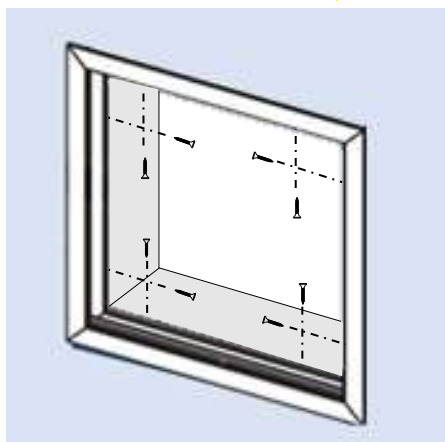
② Insert the outer frame



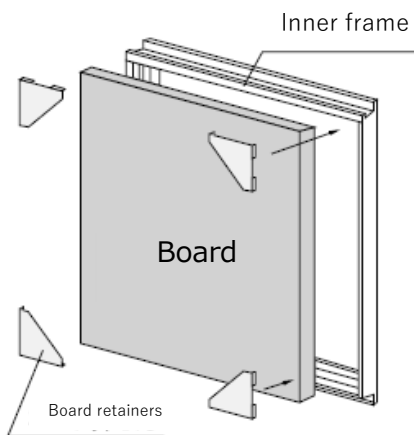
③ Drill holes on the inside of the frame (8 places)



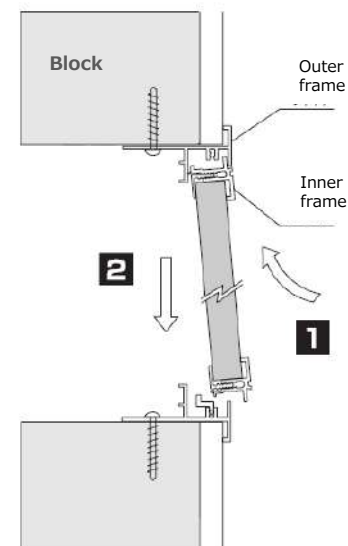
④ Secure with screws on the inside the frame



⑤ Create the lid (insert the board into the inner frame and attach it with the board retainers)



⑥ Close the lid 1 → 2

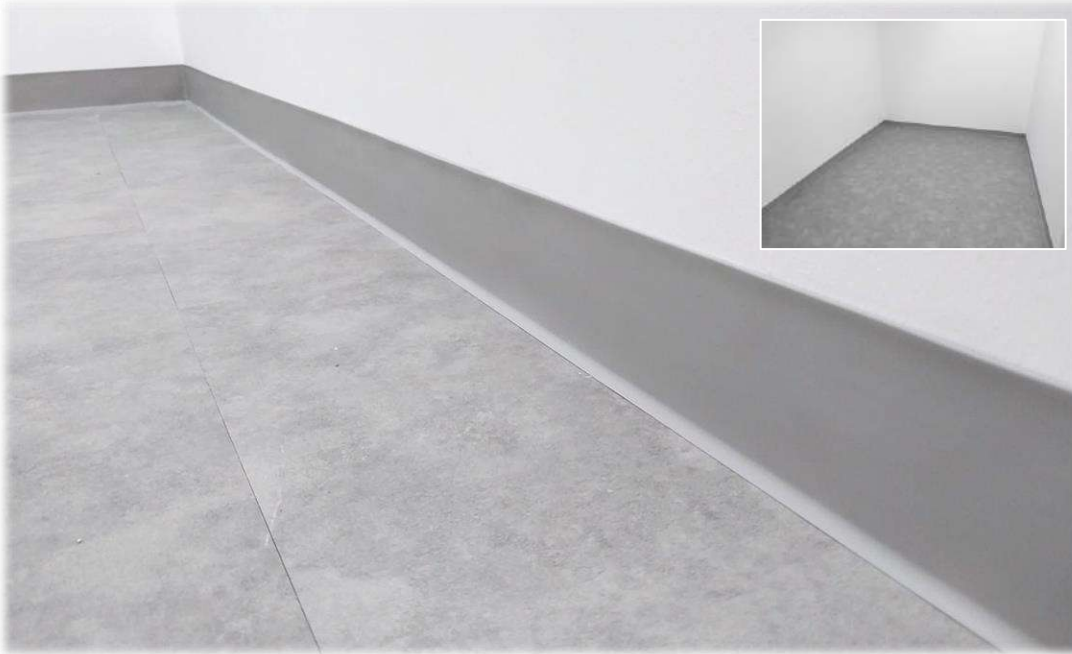


● Construction example <TENKENKO-1G>

■ CONDOMINIUM (HO CHI MINH/VIETNAM)

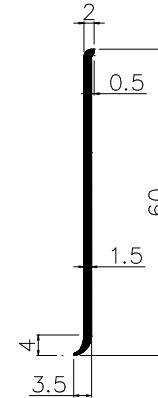


● Protects wall base from scratches and dirt



● Product drawing

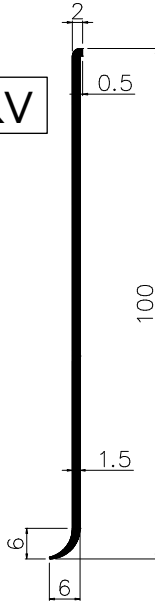
60RV



75RV



100RV



● **Material** : PVC

● **Color** : Black, Dark gray, Light gray, White

● **Length** : 30m(roll)

● **MOQ** : 1 roll

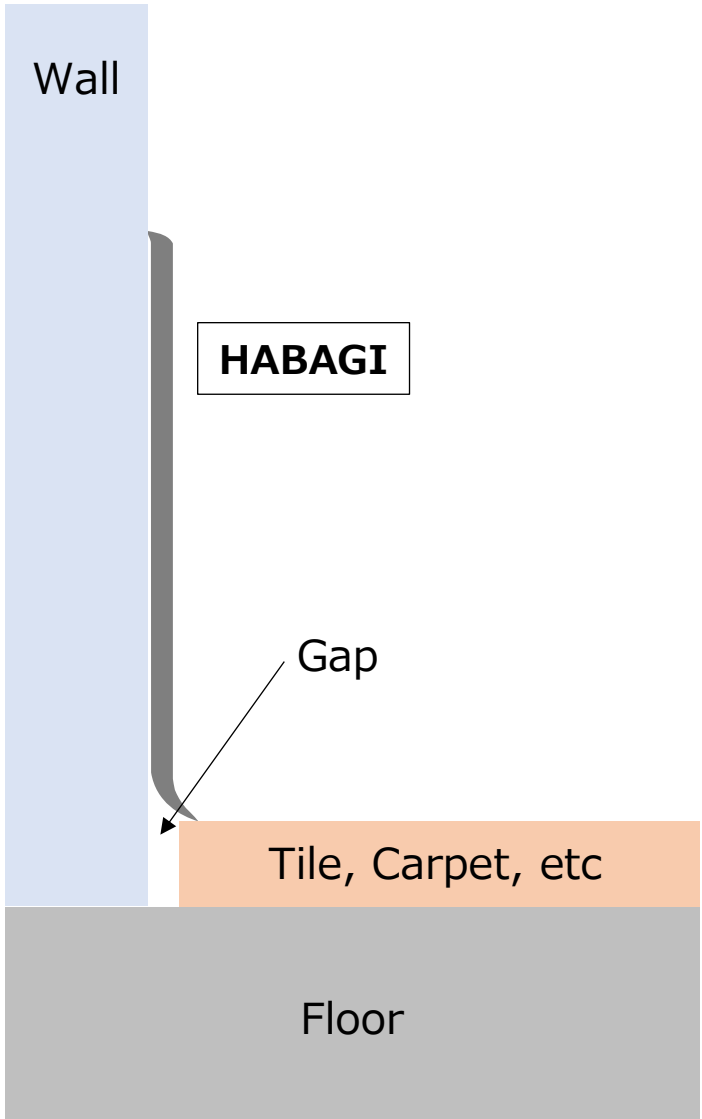
Key features

- Protects wall base from scratches and dirt
- Creates straight and neat lines between walls and floor
- Easy to cut with box cutter and attach with adhesive glue
- Soft resin material makes it easy to install along curves
- Does not turn white when bent
- Compact roll storage makes it easy to carry and stock



● Purpose of HABAGI

To hide the gap between the wall and the floor



To prevent dirt from dust and water and scratches from cleaning tools



● Installation

Tools prepared in advance (Recommendation)

Adhesive



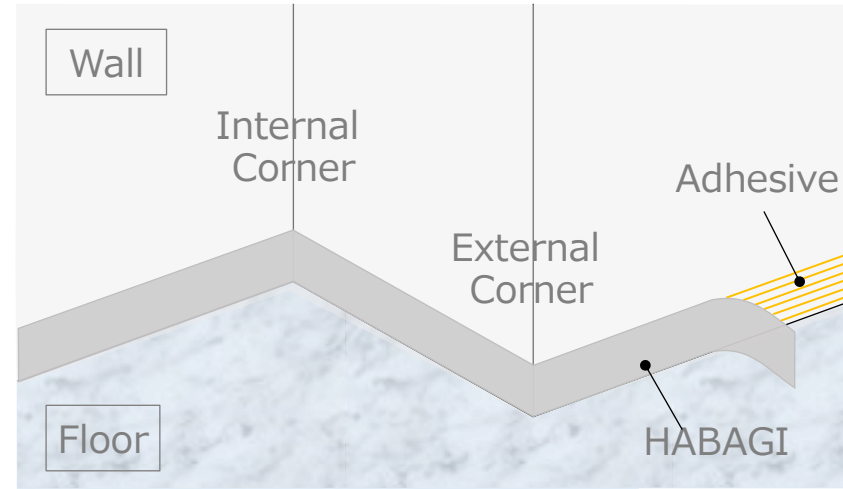
Comb-shaped Spatula



Roller



Box Cutter

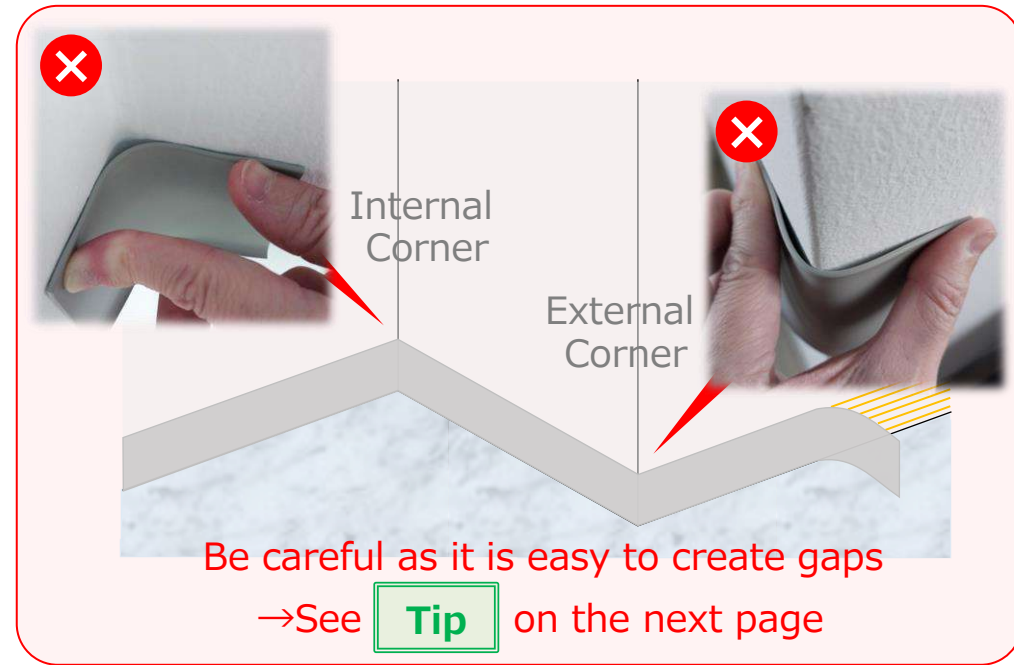


① Apply adhesive to the back of HABAGI , or the back of HABAGI and the wall with a spatula

Tip Use a comb-shaped spatula to apply the required amount evenly

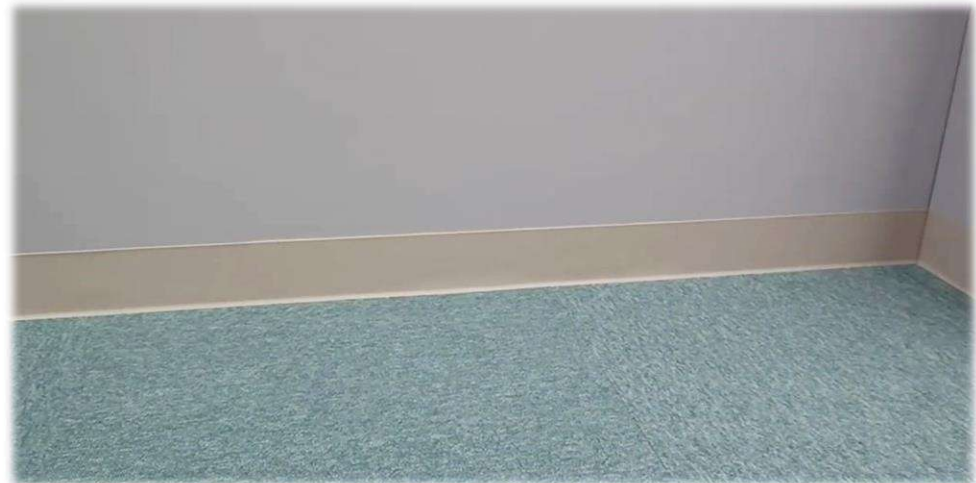


② Adhere HABAGI to wall, aligning to the floor line



③ Bond the entire surface with a roller

Tip The roller can be evenly pressed with a stable force, giving it beautiful finish

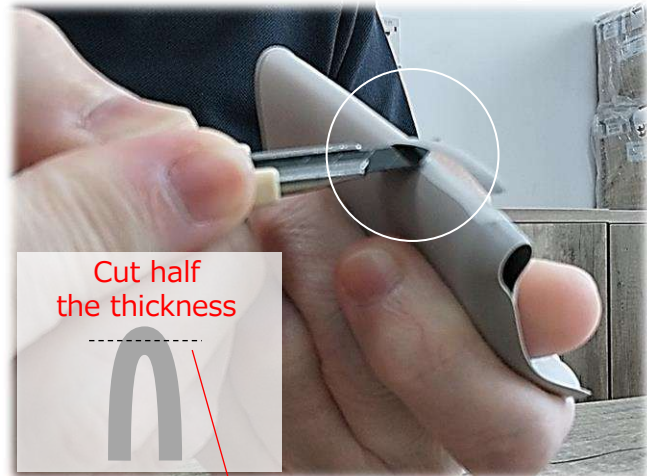


Tip Scraping off the back of HABAGI makes it easier to bend

1. Fold HABAGI

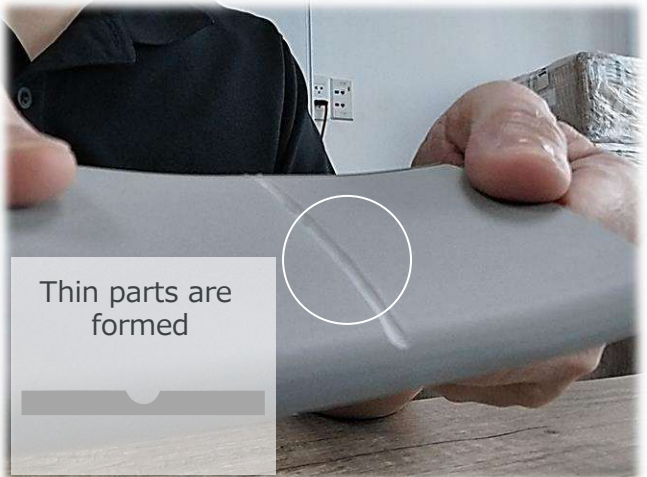


2. Scraping off the back with a box cutter

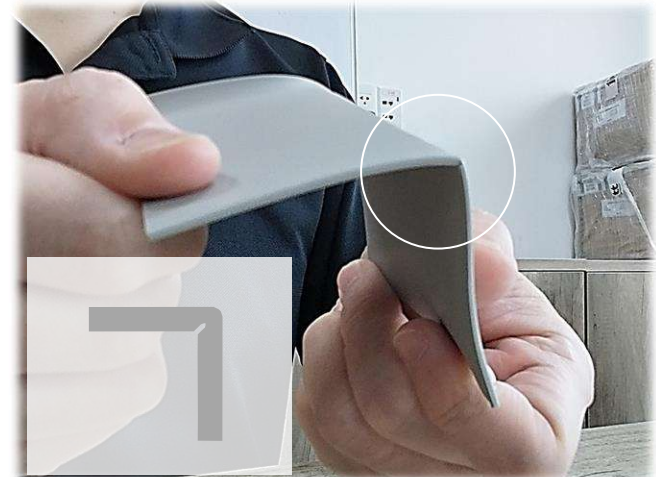


Be careful not to scrape too much

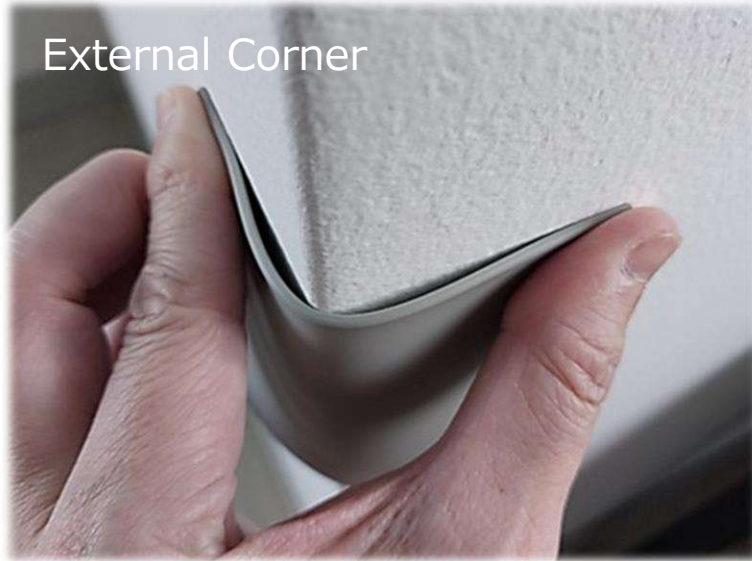
3. Undo



4. Easy to bend



✘ Gap is easy to appear



Scrape off the back



✔ Gap is hard to appear

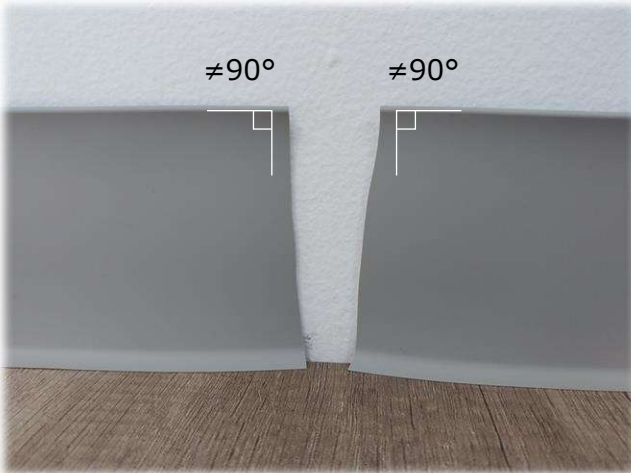


Scrape off the back

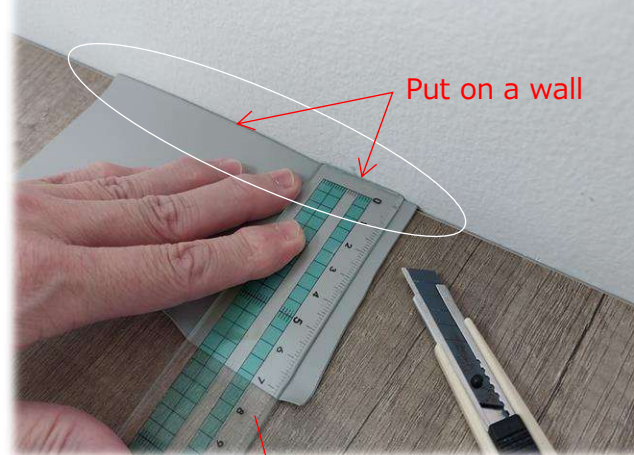


Tip Cutting at a right angle (90 degrees) makes the gap less noticeable.

1. In case the edges are not 90°

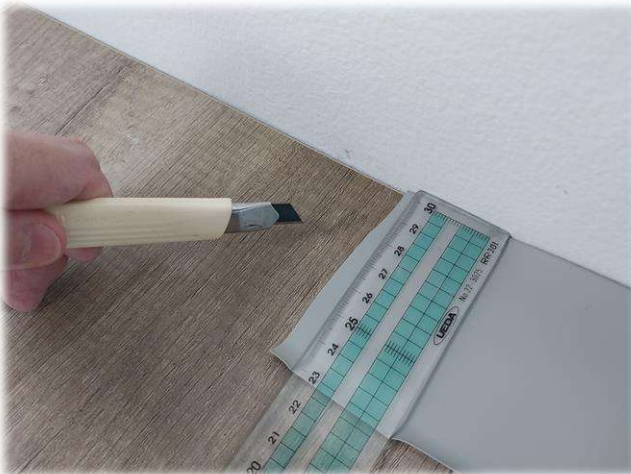


2. Put HABAGI and ruler on a straight wall
Cut along the ruler with a box cutter

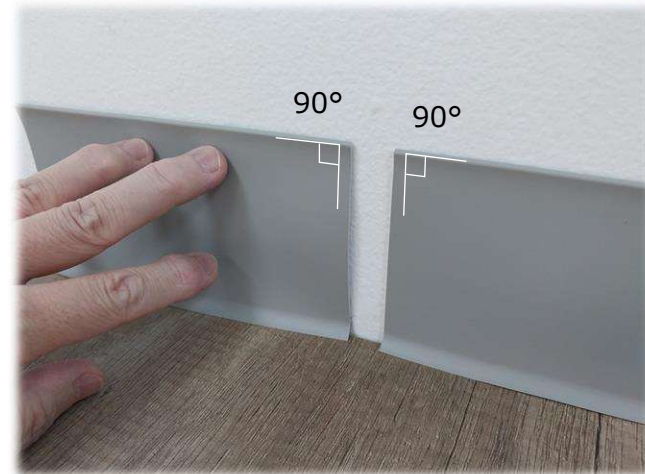


Anything with 90° will do

3. Cut the other edge similarly



4. Become 90°





Make a right angle

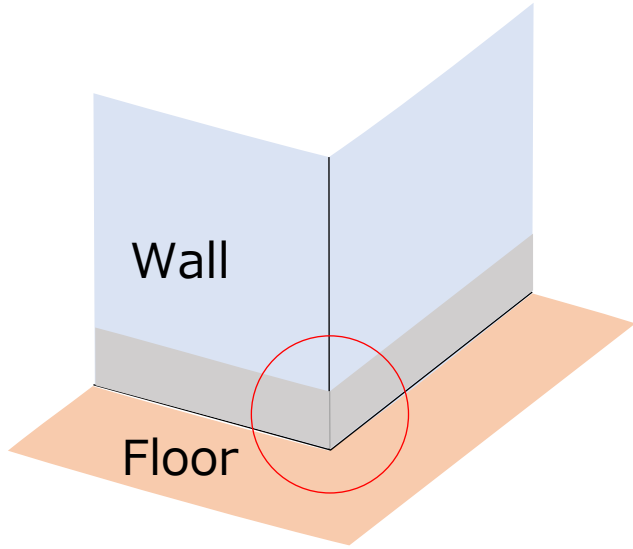


Gap is hard to appear

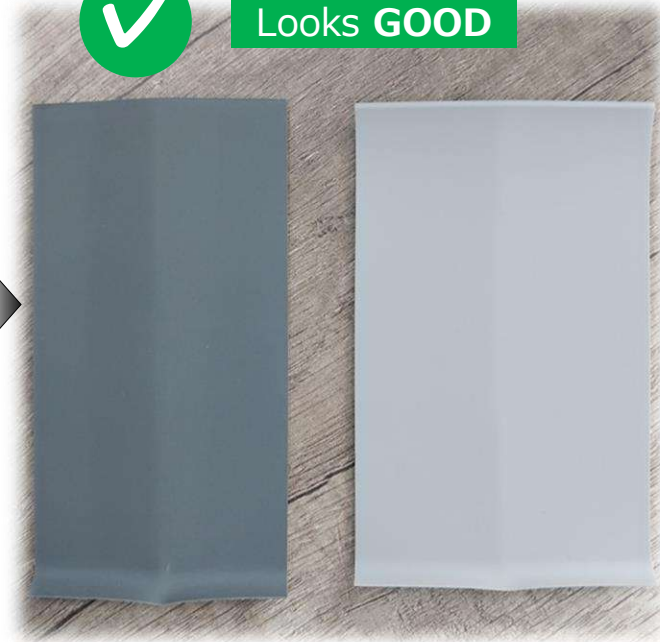


● Bending at corners

Does not turn white when bent



Looks **GOOD**



Looks **BAD**

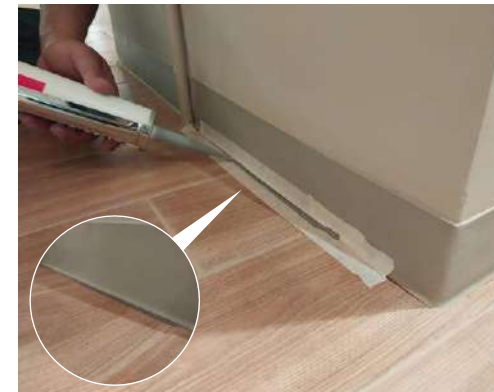


● Construction example <SOFT HABAGI>

■ OFFICE (HO CHI MINH / VIETNAM)



■ SHOP IN COMMERCIAL FACILITY (HO CHI MINH/VIETNAM)



■ WAREHOUSE OFFICE (HO CHI MINH / VIETNAM)



■ FACTORY (LONG AN / VIETNAM)



■ SHOP (HO CHI MINH/VIETNAM)



■ OFFICE (HO CHI MINH/VIETNAM)



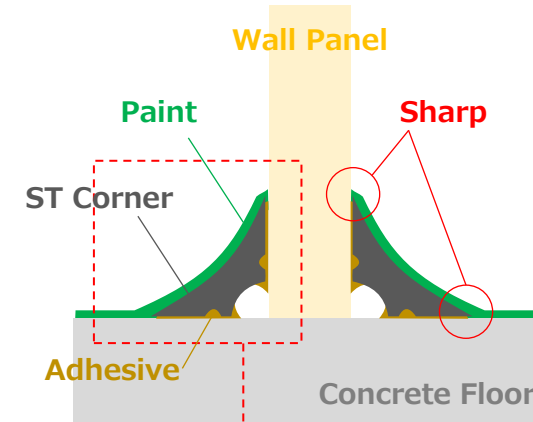
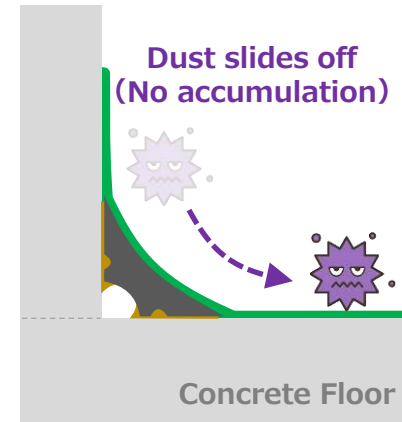
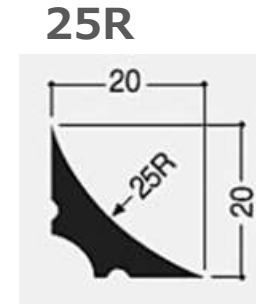
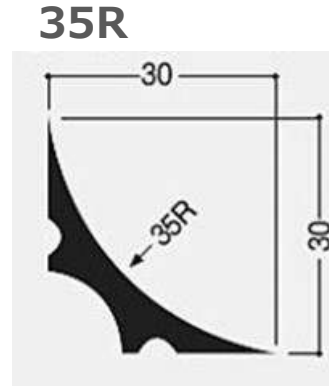
■ FACTORY OFFICE (DONG NAI/VIETNAM)



■ OFFICE (TOKYO/JAPAN)



● Prevents dust from accumulating between floor and wall or in corners of the stairs

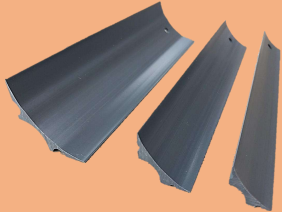




Key features

- Perfect for factories where hygiene is required (Food, Pharmaceutical, Machine room, etc.)
- R-shape prevents dust from accumulating
- Sharp transition prevents flat faces near walls and floors
- Creates a perfect straight line
- Paintable(Urethane, Epoxy, etc.)
- Easily installed with adhesive

- Material : PVC
- Color : Gray
- Length : 1,820mm
- MOQ : 50pcs

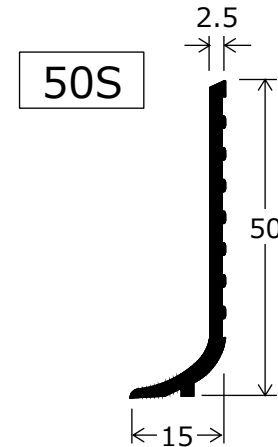
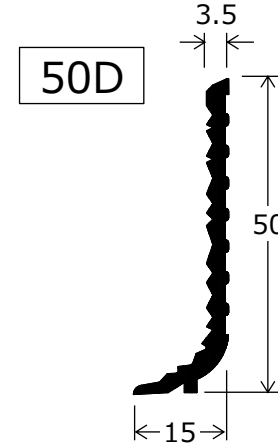


		ST Corner	Similar Products	
			Clean Line	Solid Line
Products				
Specifications	Material	PVC	PVC	Cement-based
	Color	Gray	Light Gray	Light Gray
	Gloss	No	Yes	Yes
	Sectional Dimensions	15×15mm(20R) 20×20mm(25R) 30×30mm(35R)	100×30mm(30R)	32×32mm(50R) 100×40mm(50R) 200×40mm(50R) 300×40mm(50R)
	Length	1,820mm	2,000mm	1,000mm
Features	Sectional Space	Yes	No	No
	Incombustible	No	No	Yes
	Paintable	Yes	No	Yes
	Flat Top Face	No	Yes(5mm)	No
Installation Method		Adhesive	Adhesive	Adhesive
Manufacturing Location		Japan	Japan	Japan

● Skirting for spaces such as houses and stores

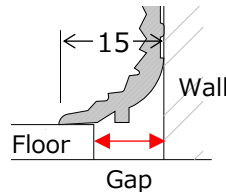


● Product drawing



特長

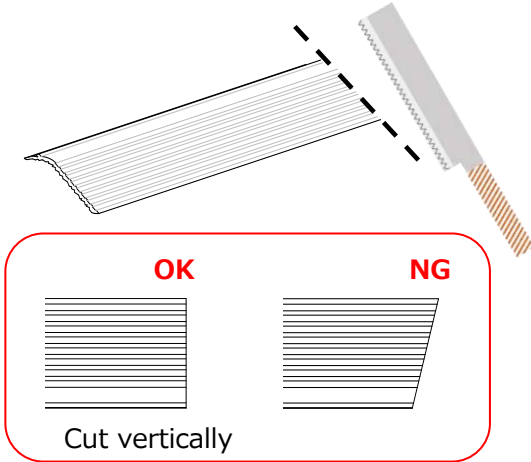
- Three-Dimensional Modern Design (50D)
- Smooth Design (50S)
- 4 colors to match wall and floor
- Hide gaps between walls and floors
- Create straight line even if the wall is waving



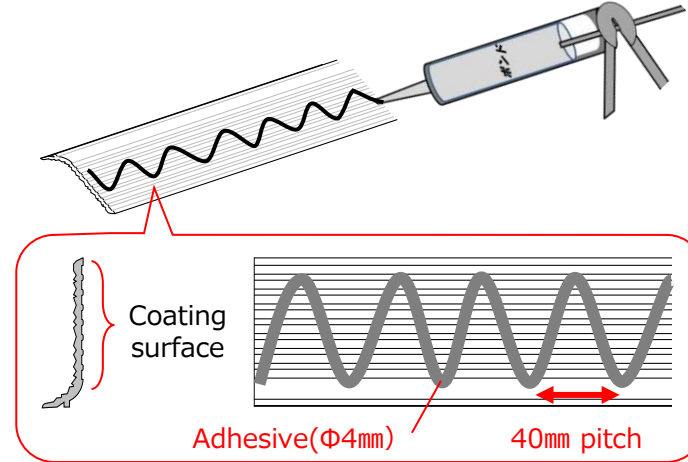
- Material : PVC
- Color : White, Natural, Brown, Dark
- Length : 2,000mm
- MOQ : 1pcs

● Installation

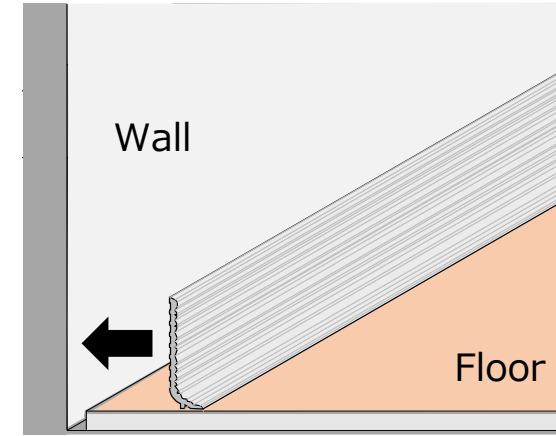
① Cut to the proper length



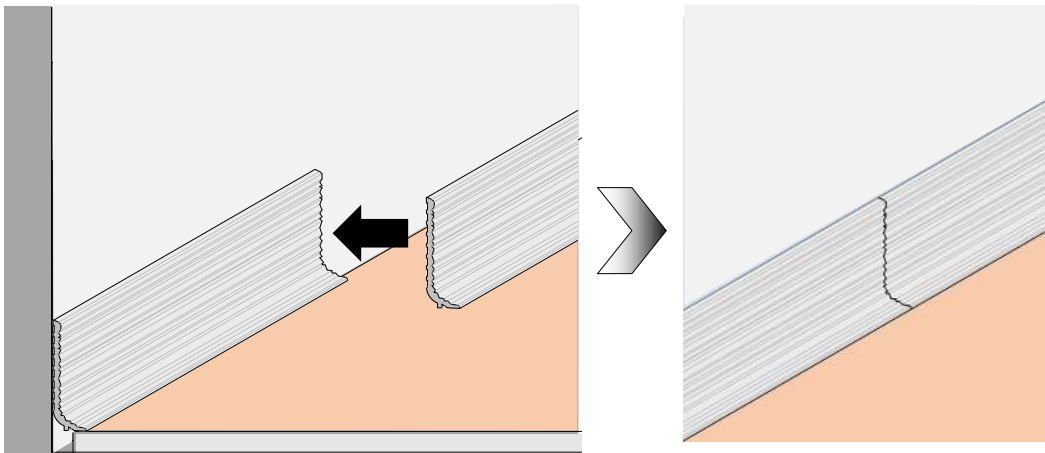
② Apply adhesive to the back side in a wavy line
(Adhesive diameter $\Phi 4\text{mm}$, 40mm pitch)



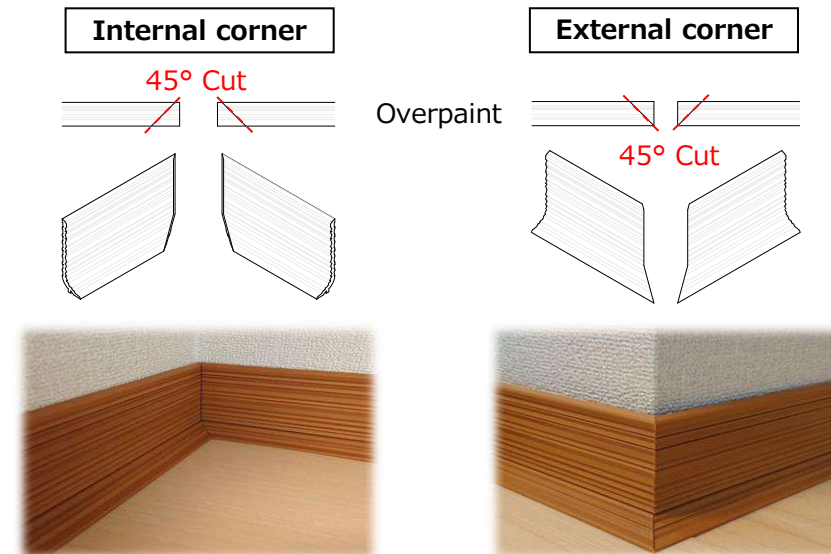
③ Press the HABAGI to the wall while holding it against the floor



④ The joints should be butt-jointed



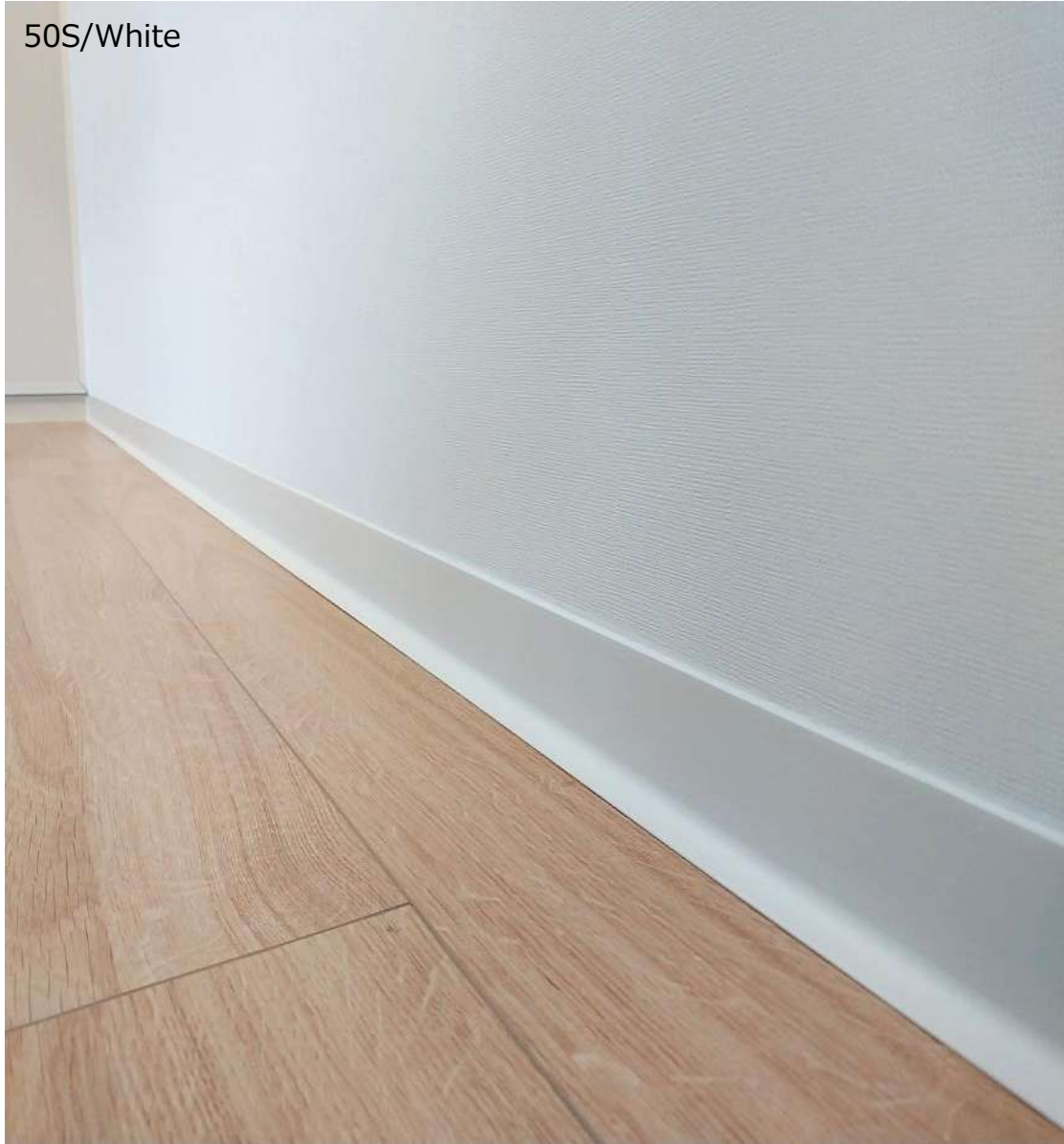
⑤ Cut the HABAGI at 45° at the internal and external corners



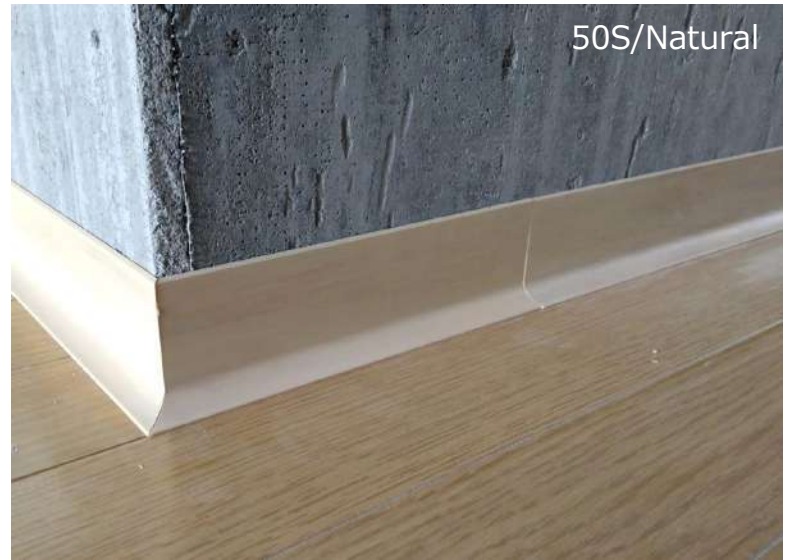
● Construction example <HARD HABAGI>



50S/White



50S/Natural



50S/Brawn



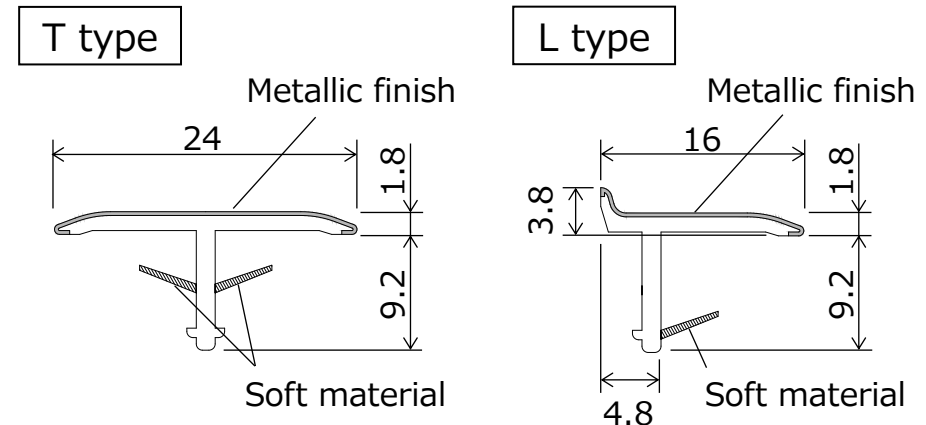
● Clean floor joints and edges



Key features

- Luxury metallic finish
- Less likely to be dented than metal products
- Made of plastic so it can be cut with a saw
- Easy installation with caulking
- Soft material holds position until caulking hardens

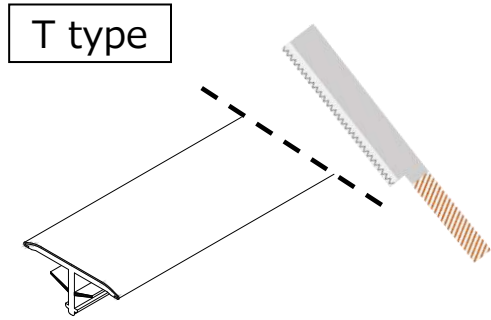
● Product drawing



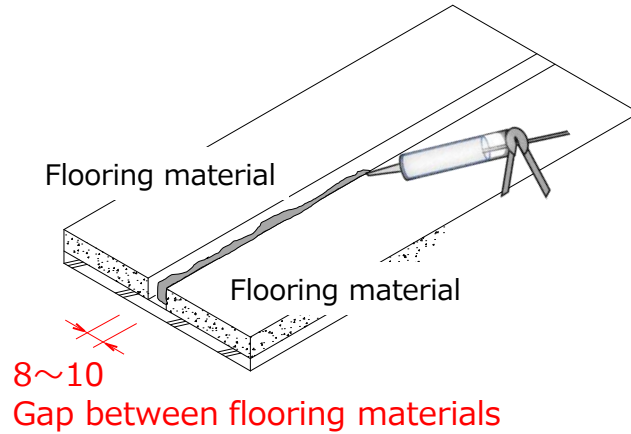
- **Material** : PVC+Acrylic
- **Color** : Metallic Gold, Metallic Silver
- **Length** : 2,000mm
- **MOQ** : 1pcs

● Installation

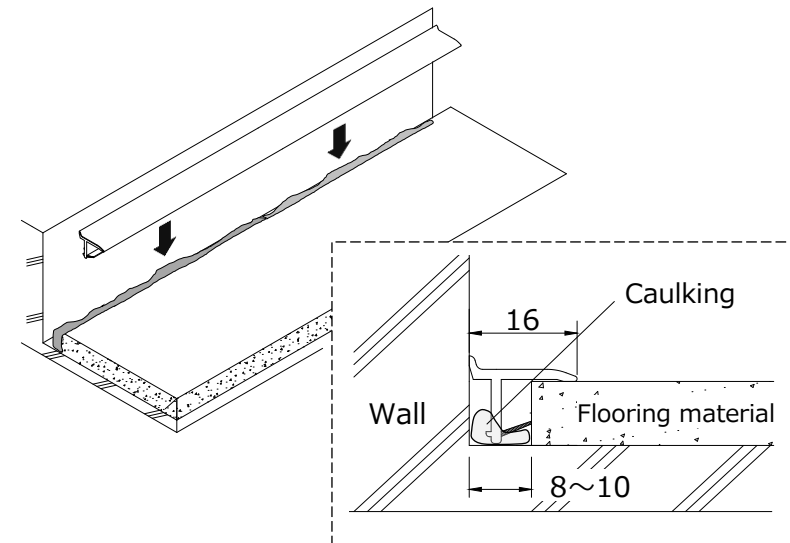
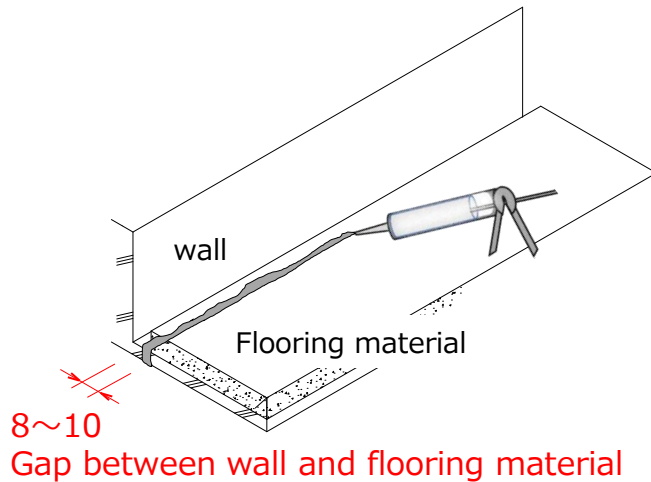
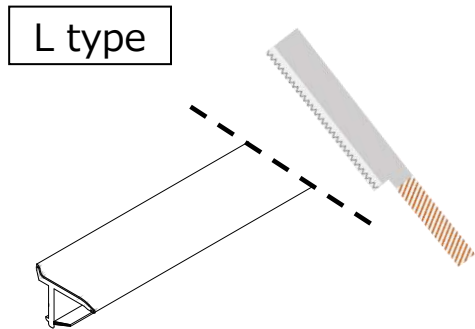
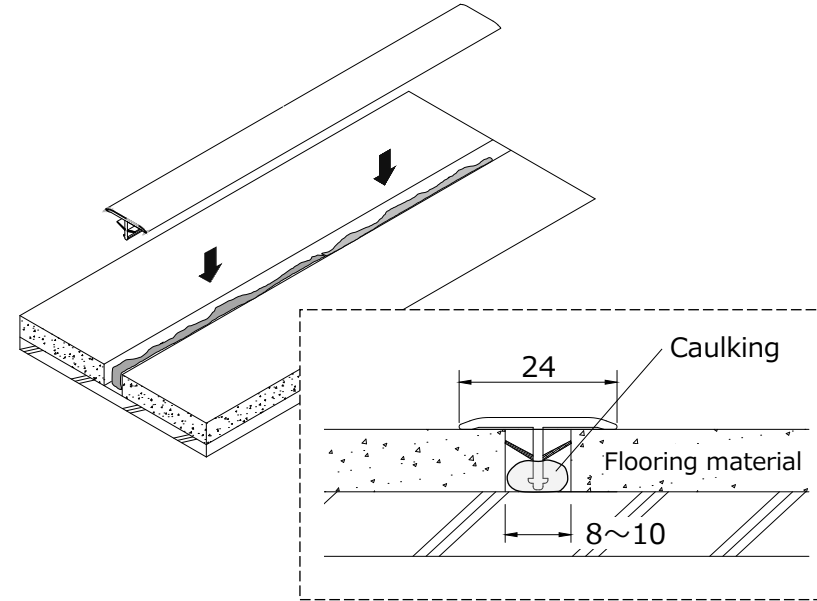
① Cut to the proper length



② Apply caulking (Adhesive diameter $\Phi 6 \sim 8\text{mm}$)



③ Fit the FLOOR MIKIRI



● Construction example <FLOOR MIKIRI>

T type

■ CONDOMINIUM (HO CHI MINH/VIETNAM)

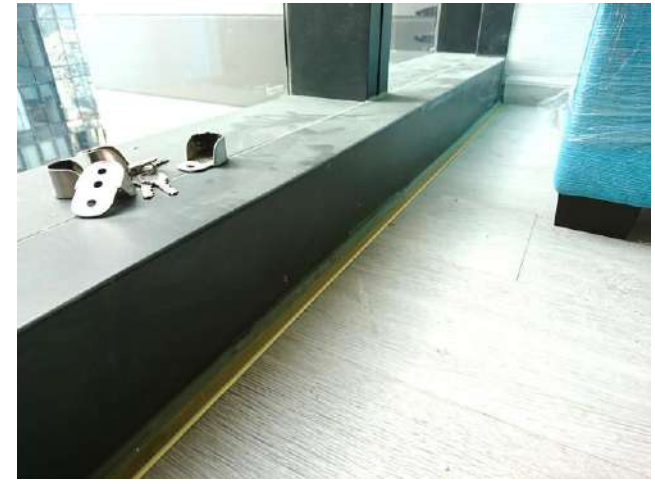


■ STANDALONE HOUSE (TOKYO/JAPAN)

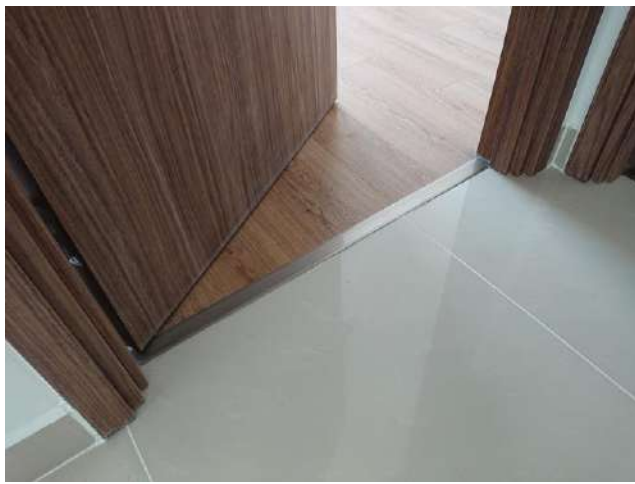


L type

■ CONDOMINIUM (HO CHI MINH/VIETNAM)



■ CONDOMINIUM (HO CHI MINH/VIETNAM)



■ CONDOMINIUM (HO CHI MINH/VIETNAM)



■ OFFICE (TOKYO/JAPAN)



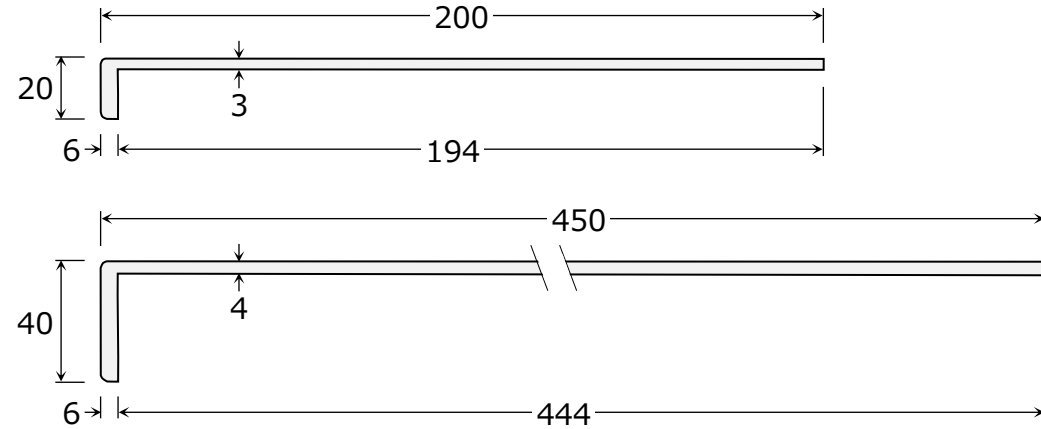
● prevent dirt and scratches



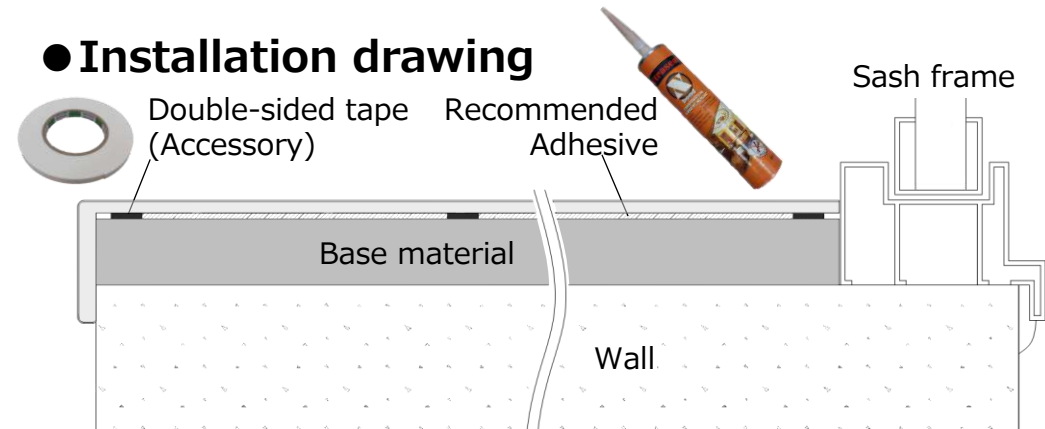
Key features

- Keeps the lower part of the window clean and free from dirt
- Prevents scratches
- Gloss finish
- Antimicrobial properties
- Easy to cut to size

● Product drawing



● Installation drawing



- Material : PVC
- Color : White
- Length : 1,800mm
- Width : 200mm、450mm
- MOQ : 2 set



● Purpose of Window Stool Cover

Keeps dirt out, Prevents scratches, Prevents chipping



● Installation [Concrete base]

① Prepare the base material

Prepare [Gypsum board 5-12mm thick] or [Concrete board 5-12mm thick] after **10mm or more** as shown in the figure below

Sash frame
Over 10mm
Base material
Concrete base

Cut

Base material

Cut

Match the width and depth of the concrete base

② Make the concrete base smooth and level

Remove any protrusions and level with spacers

Temporarily place the base material and check for smoothness and levelness

Spacer

Concrete base

Spacer

Rattling NG

Slope NG

③ Apply adhesive to the concrete base

Adhesive

Adhesive diameter $\Phi 4\text{mm}$

- 150mm pitch wavy line
- Perimeter is straight

④ Attach the base material to the concrete base

After attaching, place weights evenly on the surface until the adhesive hardens

⑤ Cutting the window stool cover

Cut

Cut

Match the base material depth

⑥ Apply double-sided tape and adhesive to the base material

100mm

100mm

Adhesive

Double-sided tape

- Align with the edge of the long side
- Add tape (100mm pitch)

Adhesive diameter $\Phi 4\text{mm}$

- Between double-sided tapes 150mm pitch wavy line
- Both ends are straight

⑦ Attach the window stool cover to the base material

⑧ Caulking

Fill the gap between panel and frame

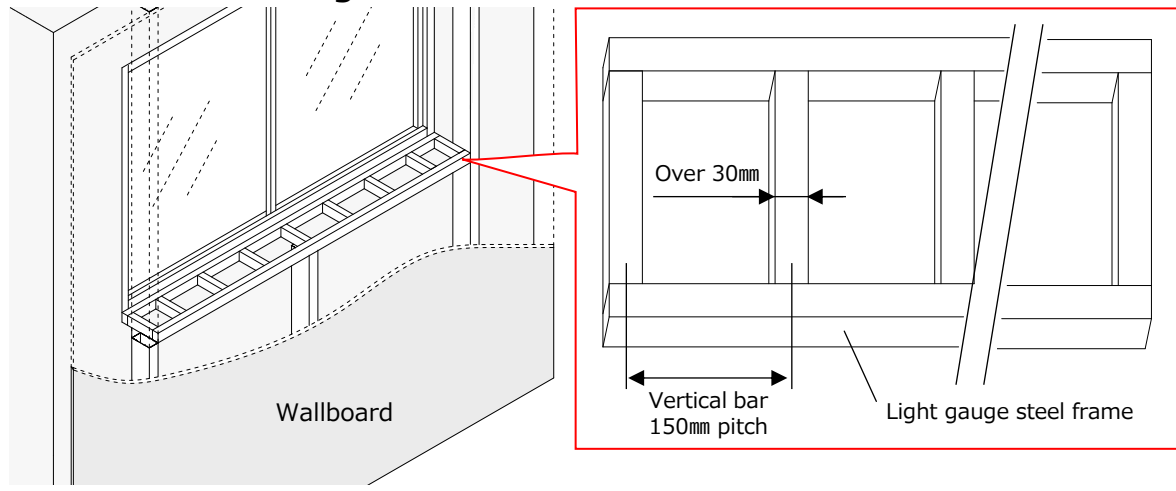
Gap

Gap

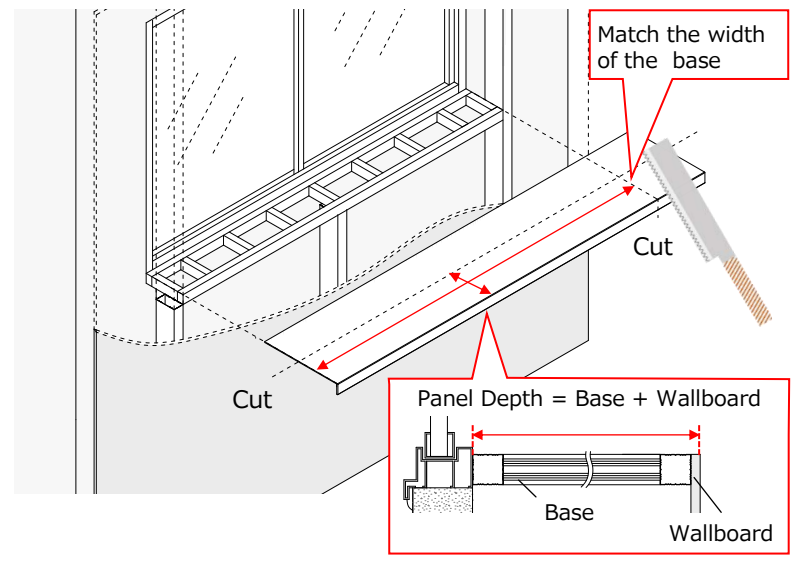
Edge

● Installation [Light-gauge steel base]

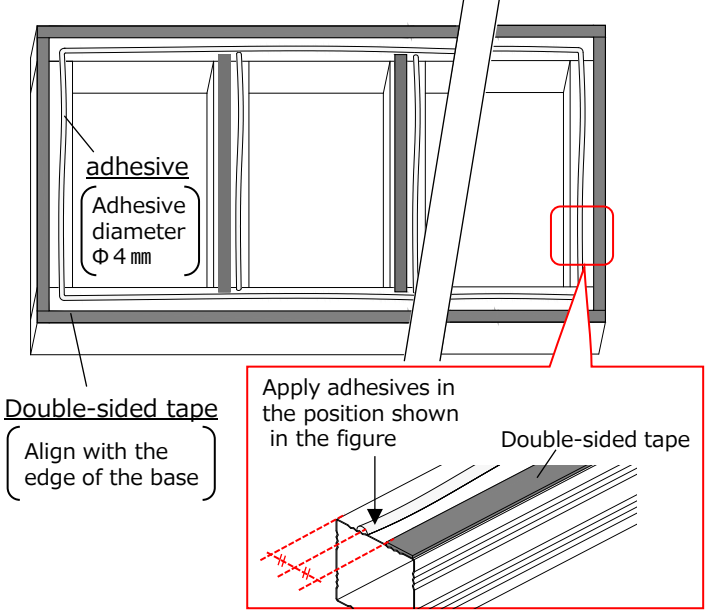
① The base is constructed with a light gauge steel frame as shown in the figure below



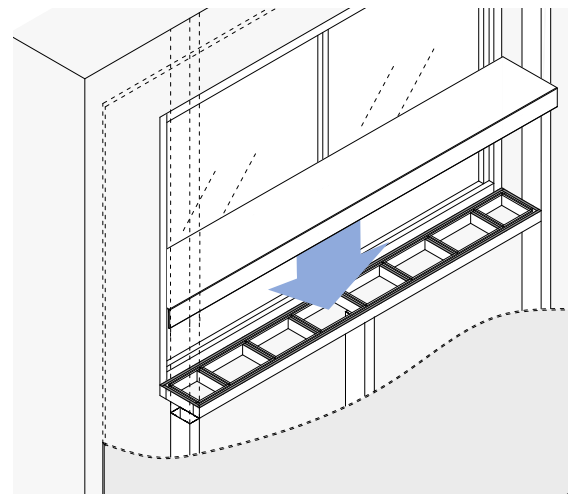
② Cutting the window stool cover



③ Apply double-sided tape and adhesive

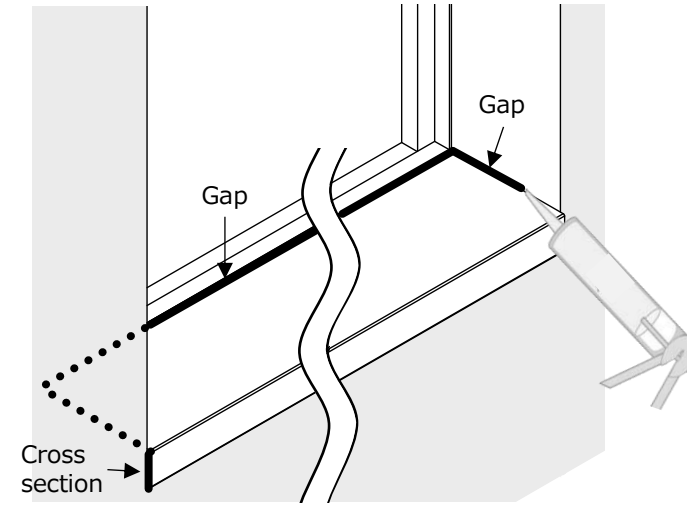


④ Attach the window stool cover to the base



⑤ Caulking

Fill the gap between panel and frame



● Construction example <Window Stool Cover>

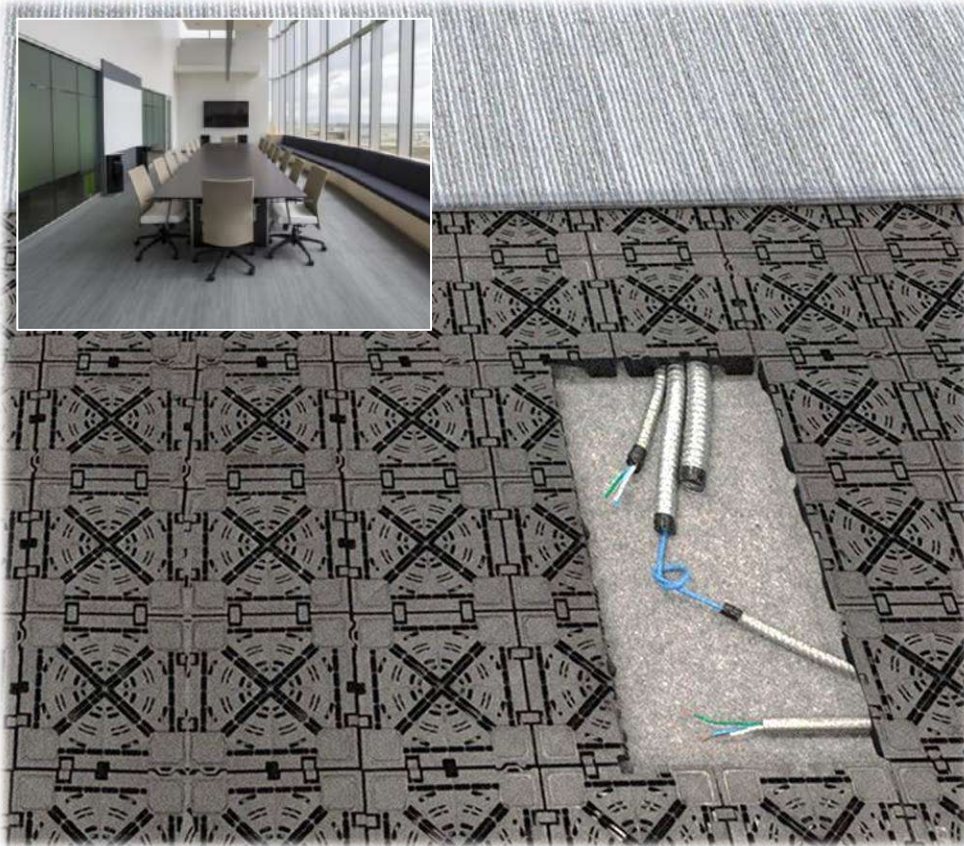
■ FACTORY OFFICE (LONG AN/VIETNAM)



■ FACTORY OFFICE (LONG AN / VIETNAM)

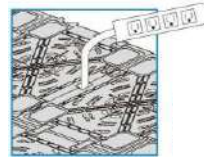


● Light and durable raised resin floor system



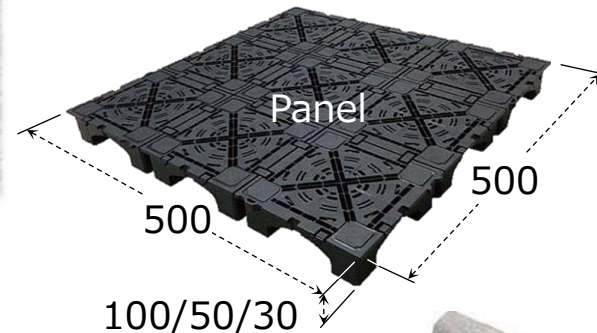
Key features

- Good for offices with a lot of wiring
- Cables and cords can be routed under panels
- Easy wiring when changing the room layout
- Wire pass channels
- Easy installation just by placing
- Lightweight
- 3000N (≒306kg) Max Load



Recommended finishing materials is carpet

● Products



(Optional parts)



Slope



Additional leg


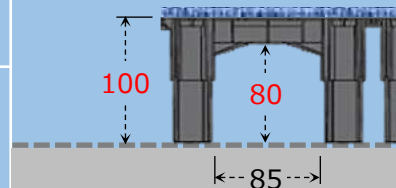
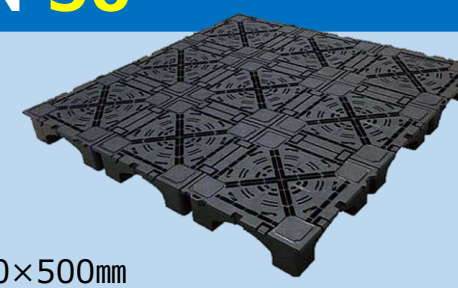
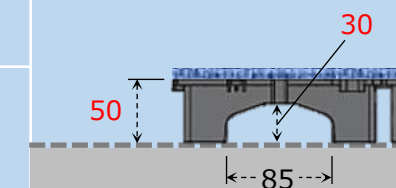
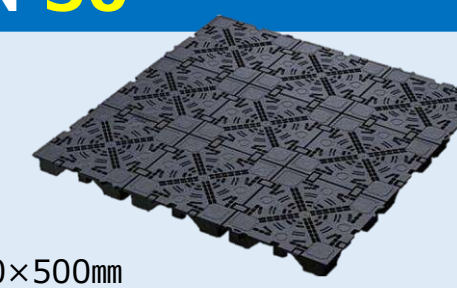
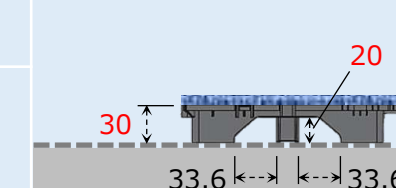





Sheet under the panel



Aluminum end cover

- Material : PP
- Color : Black
- Size : 500×500×Height 100mm
500×500×Height 50mm
500×500×Height 30mm
- MOQ : 1m² (4pcs)

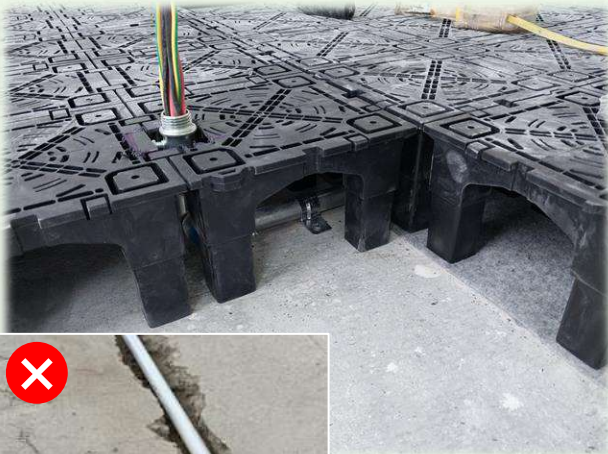
Panel	TN-100	TN-50	TN-30
Panel Height Height of the space under the panel	 PP 500×500mm 	 PP 500×500mm 	 PP 500×500mm 
Weight	8.9kg/m ²	6.8kg/m ²	5.6kg/m ²
Max Load	3000N (≒306kg)	3000N (≒306kg)	3000N (≒306kg)
Accessories	 <p>Additional leg 100S</p> <p>Sheet under the panel Width 1m×20m roll</p> <p>Slope 100 Width 250×Length 668mm (Consists of 3 parts)</p> <p>Aluminum end cover Length 2m (Consists of 2 parts)</p>	 <p>Additional leg 50S</p> <p>Sheet under the panel Width 1m×20m roll</p> <p>Slope 50 Width 250×Length 333mm</p> <p>Aluminum end cover Length 2m</p>	 <p>Additional leg 30S</p> <p>Sheet under the panel Width 1m×20m roll</p> <p>Slope 30 Width 250×Length 333mm</p> <p>Aluminum end cover Length 2m</p>

● If you use FUKUVI's OA Flooring...



Have space

Easy to wire
No damage to the floor



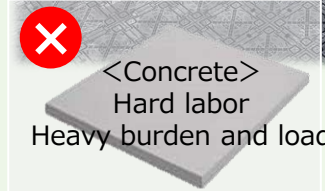
Plastic product

Easy to cut
Less dust and noise



Light weight

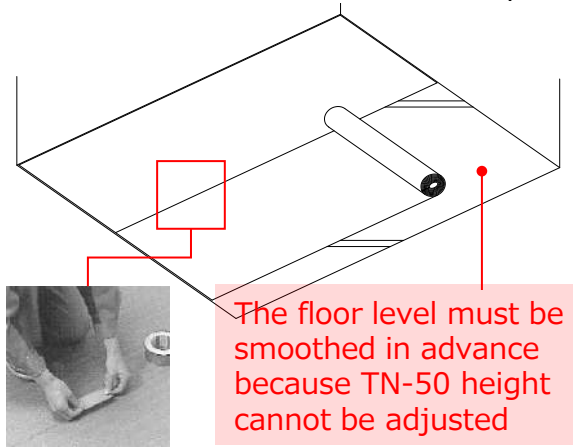
Easy to carry
Less burden on the body
Less load on the floor



● Installation

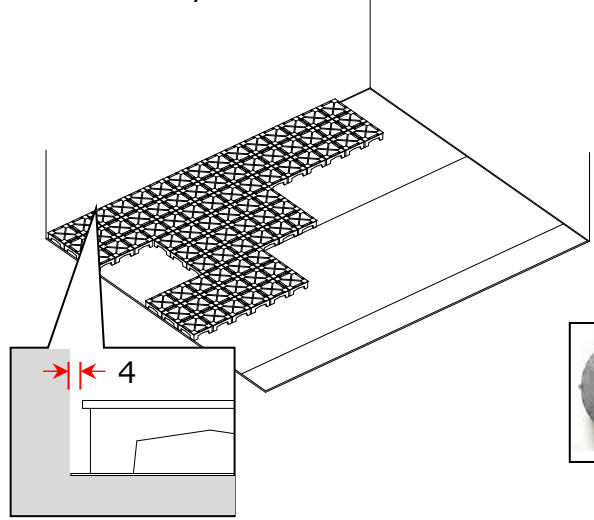
① Lay a sheet on the floor

- Clean the floor
- Do not overlap seams
- Fix the seams with adhesive tape

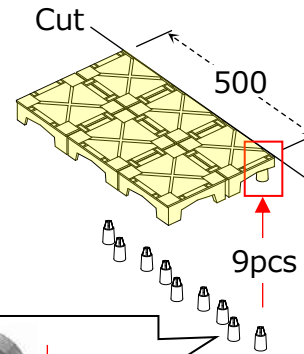


② Line up the base panel

•4mm away from the wall



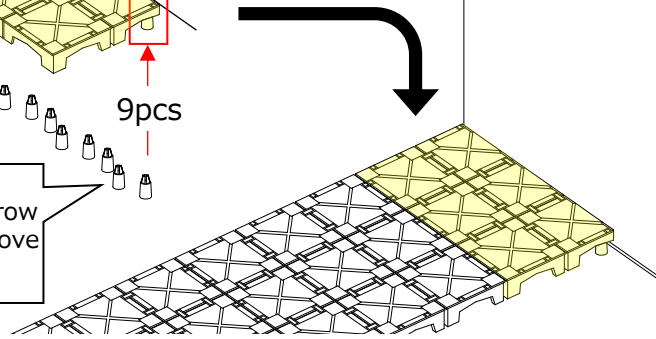
③ Attach additional leg to the back of the cut base panel



- Insert a narrow groove into the rib on the back
- Install 9 pieces for a length of 500mm

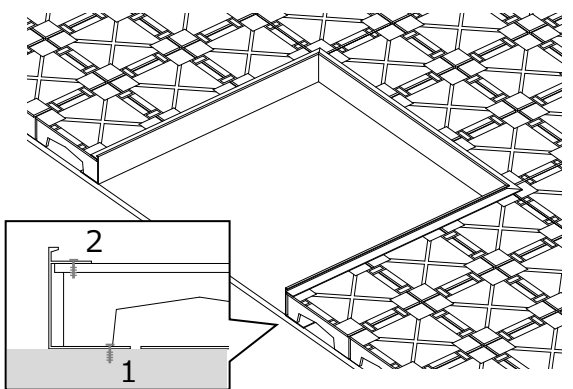


Narrow groove



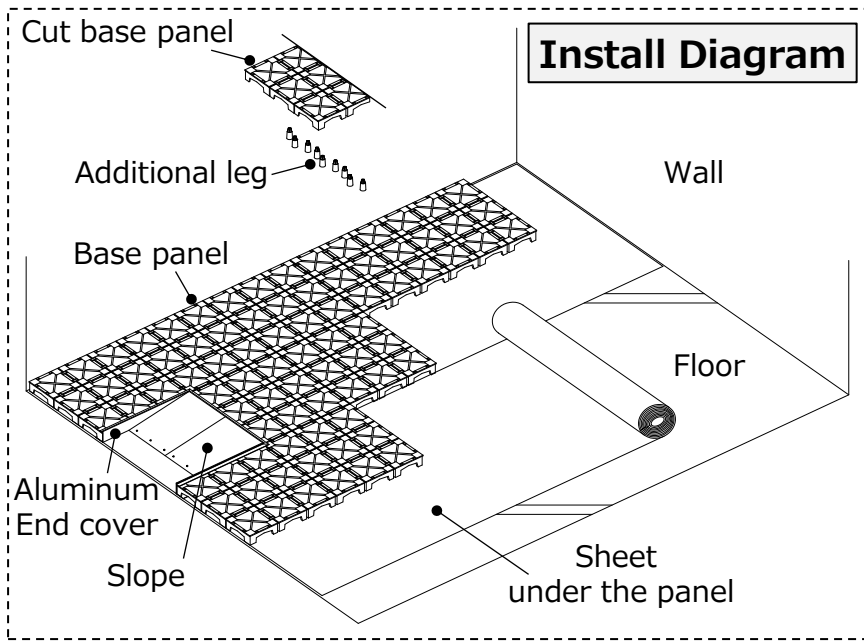
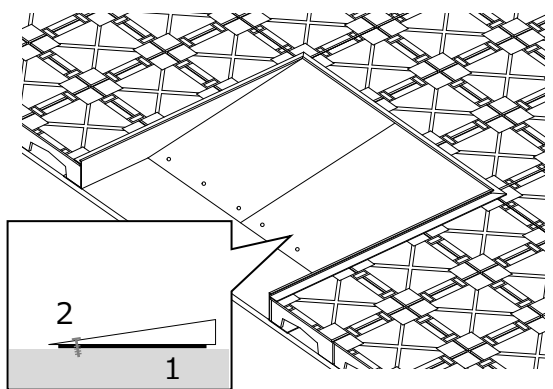
④ Attach the aluminum end cover line on the side of the slope installation position

1. Attach to floor with concrete screws
2. Attach to a base panel with general screws



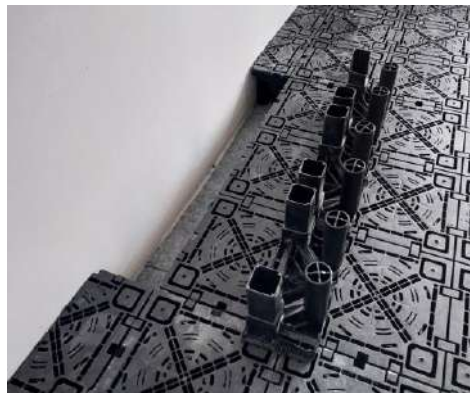
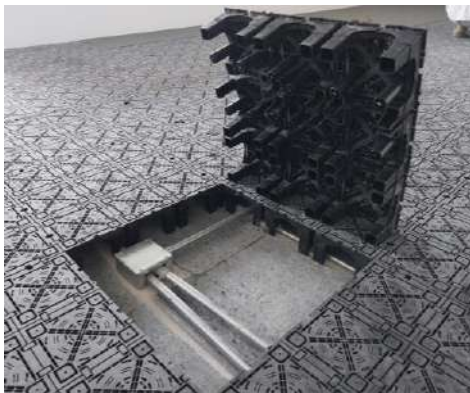
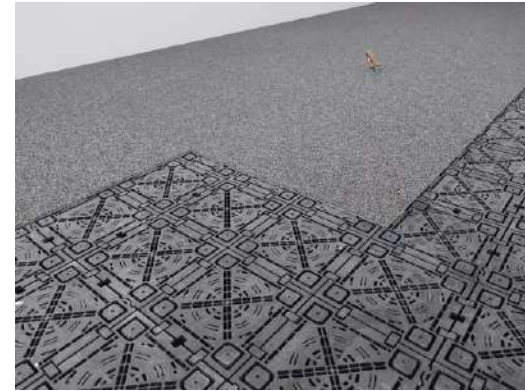
⑤ Fix a slope

1. Stick it on the floor with double-sided tape
2. Attach with concrete screw



● Construction example <OA Flooring TN-100>

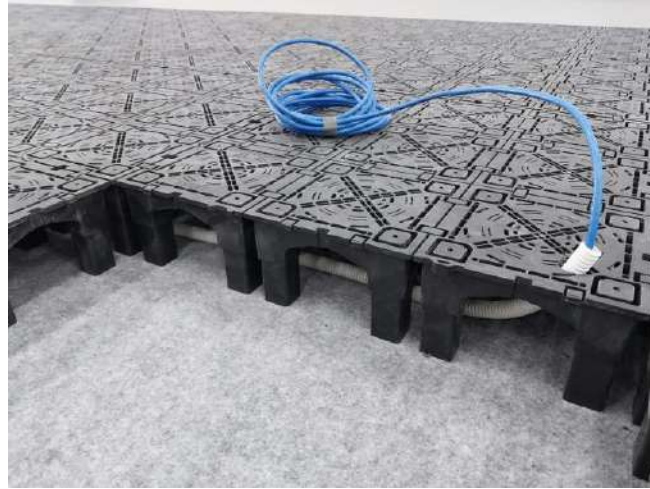
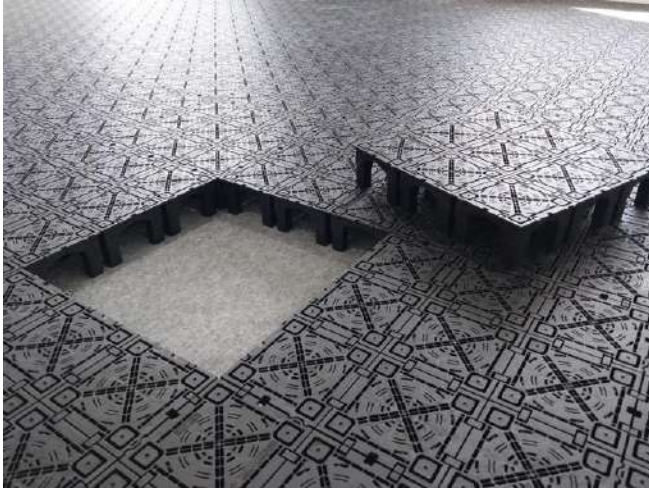
■ OFFICE (HO CHI MINH / VIETNAM)



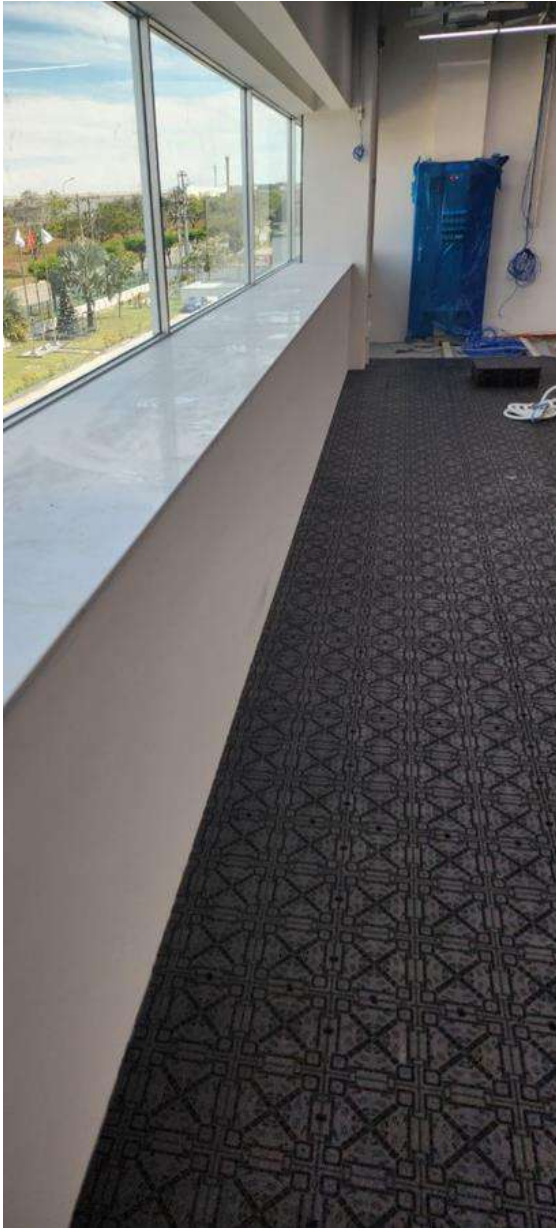
■ WAREHOUSE OFFICE (HO CHI MINH / VIETNAM)



■ WAREHOUSE OFFICE (HO CHI MINH / VIETNAM)

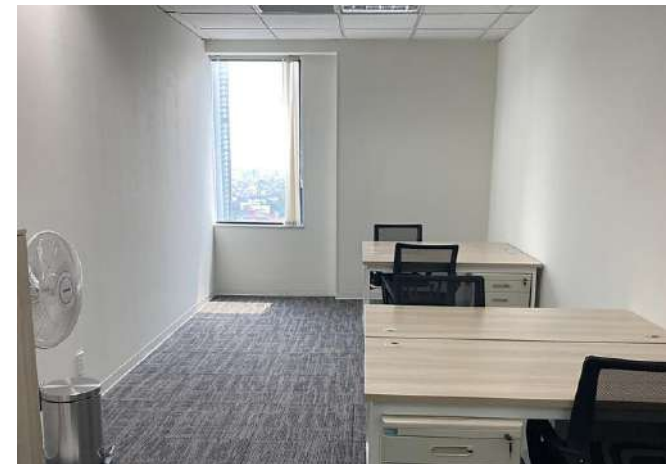
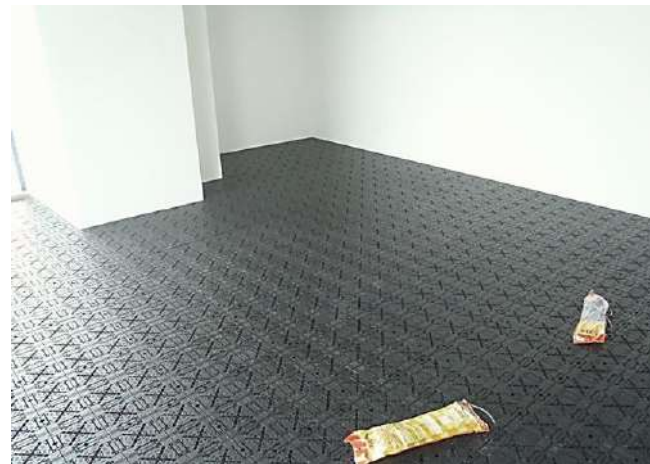


■ FACTORY OFFICE (BINH DUONG / VIETNAM)

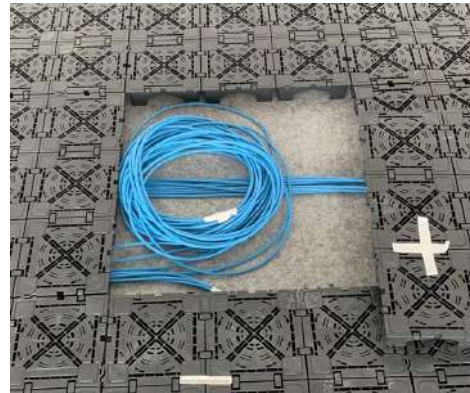


● Construction example <OA Flooring TN-50>

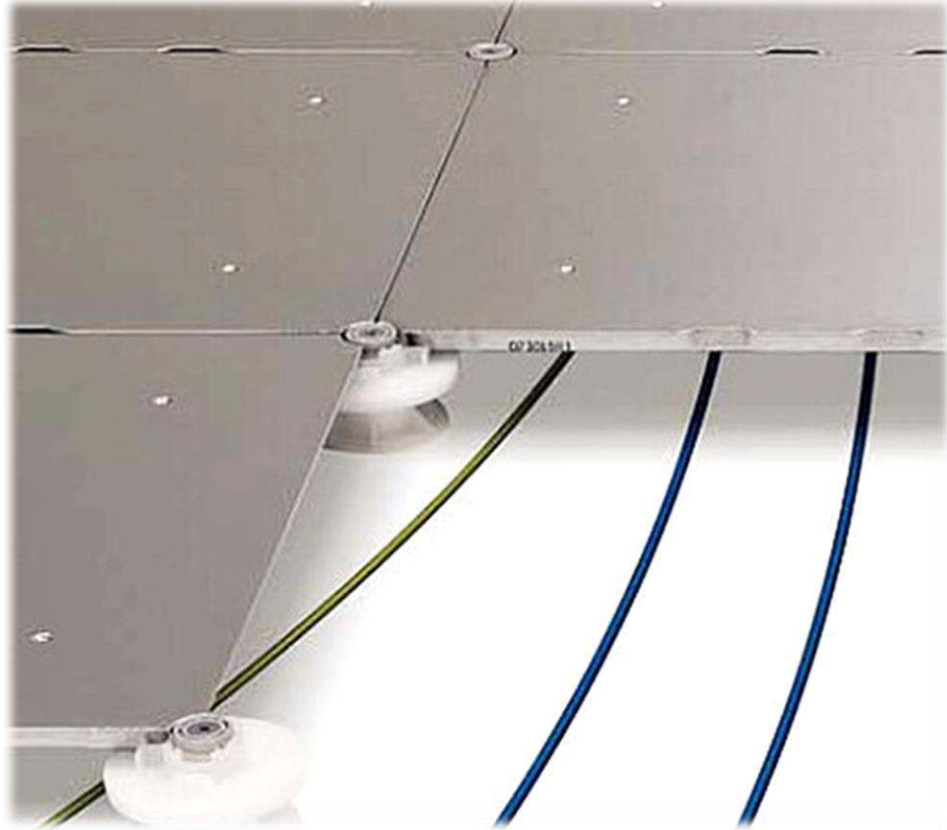
■ OFFICE (HANOI/VIETNAM)



■ OFFICE (BANGKOK/THAILAND)



● Height adjustable raised steel floor system

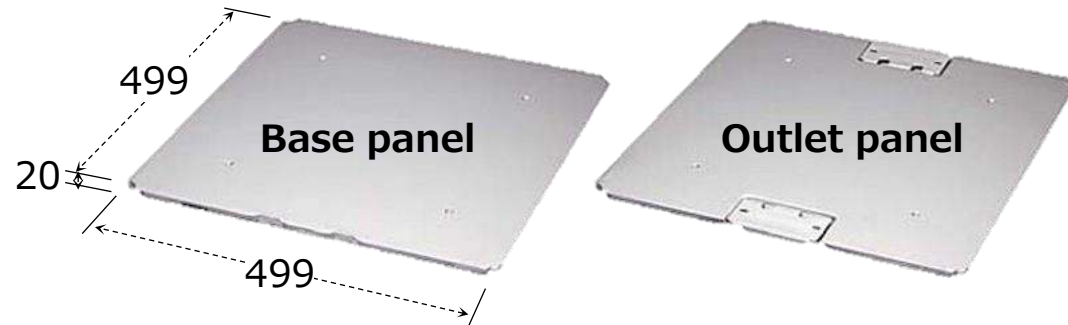


Key features

- Good for offices with a lot of wiring
- Cables and cords can be routed under panels
- Easy wiring when changing the room layout
- Height adjustable range 40~600mm
- High strength, strong against impact
3000N Max Load

Recommended finishing materials is carpet

● Products



● **Material** : Steel + Particle board



(The steel covers the wood)

● **Color** : Silver

● **Size** : 499×499×thickness 20mm

● **MOQ** : 1m² (4pcs)

Support leg for cross (PP)



Support leg for edge (PP+wood)



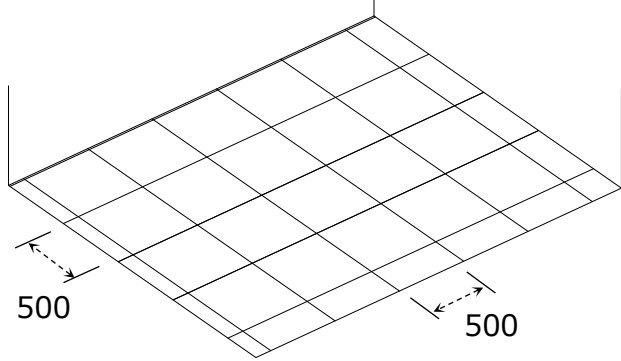
Adhesive (Urethane)



● Installation

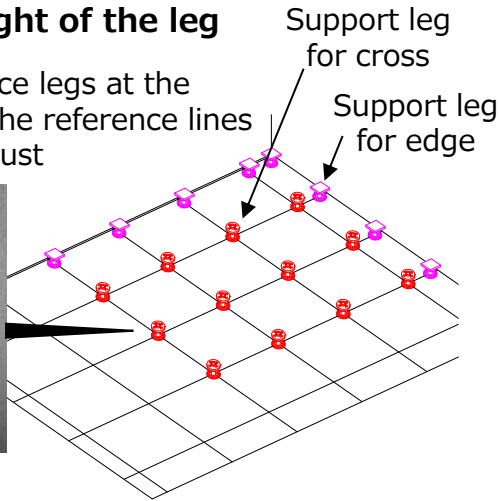
① Draw a reference line on the floor

- Clean the floor
- Eliminate extreme irregularities



② Adjust the height of the leg

1. Temporarily place legs at the intersection of the reference lines
2. Turn legs to adjust

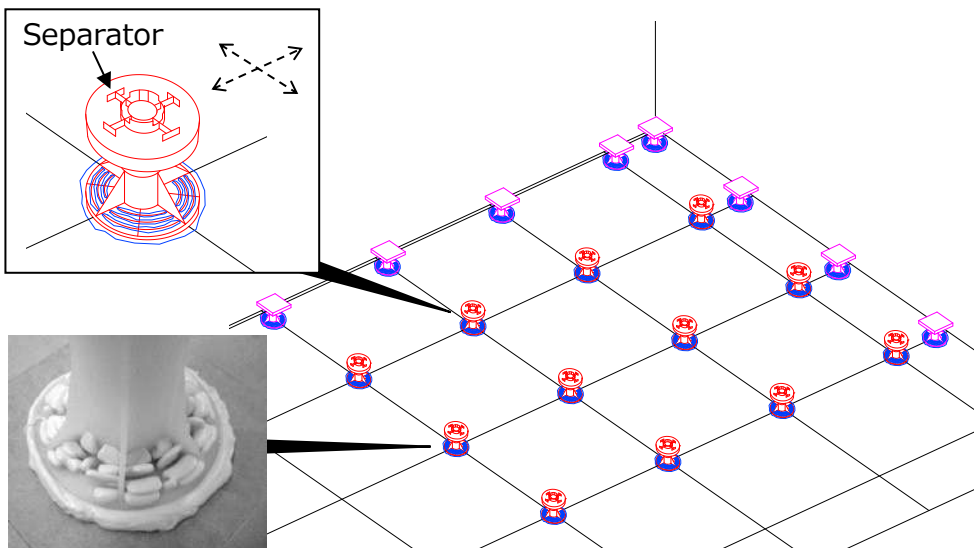


③ Apply adhesive to the underside of the leg



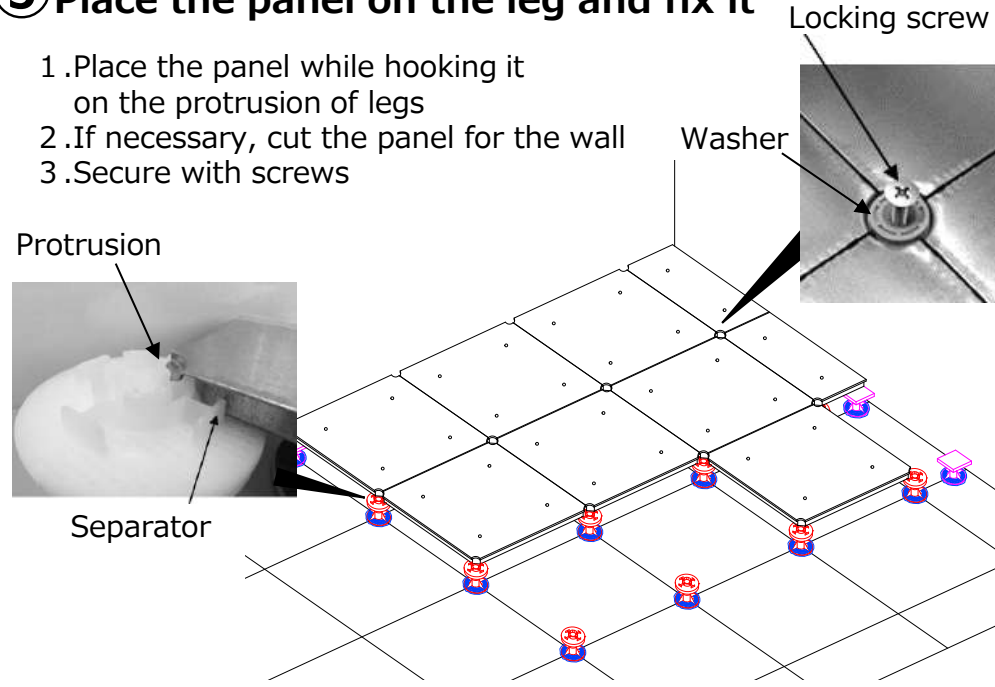
④ Secure the leg to the floor

1. Align the direction of separator with the reference line
2. Press legs against the floor until the adhesive squeezes out



⑤ Place the panel on the leg and fix it

1. Place the panel while hooking it on the protrusion of legs
2. If necessary, cut the panel for the wall
3. Secure with screws



● Construction example <OA Flooring FP3000>

■ OFFICE (KANAGAWA·NARA/JAPAN)



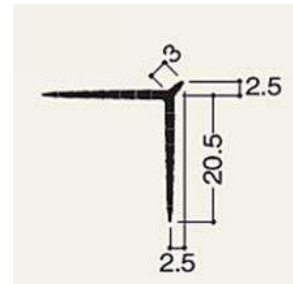
- Creates straight corners with plaster



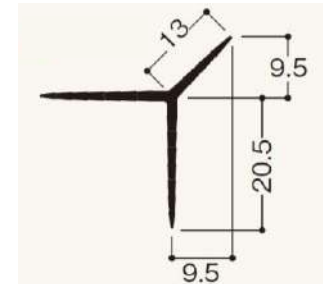
Key features

- Easily create straight lines with high precision
- High hole count allows excellent mortar adhesion
- Easy to cut with scissors
- Square Corner "3K" "13K"
- Round Corner "13R"

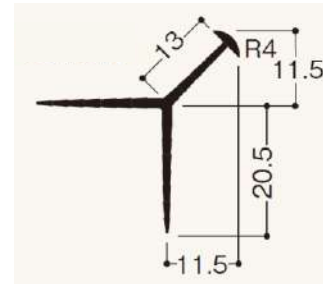
3K



13K



13R

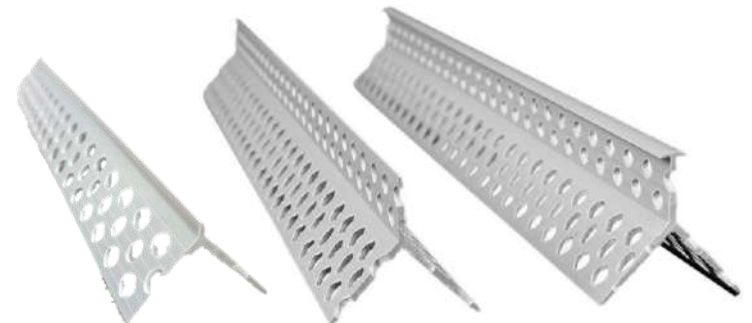


- **Material** : PVC
- **Color** : Gray
- **Length** : 1,820mm
- **MOQ** : 200pcs (3K)
100pcs (13K,13R)

● Installation

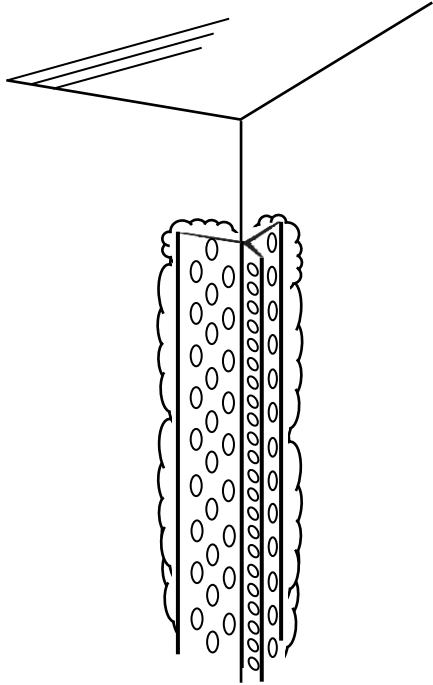
Foundation : Concrete
Mortar

Method : Embedded

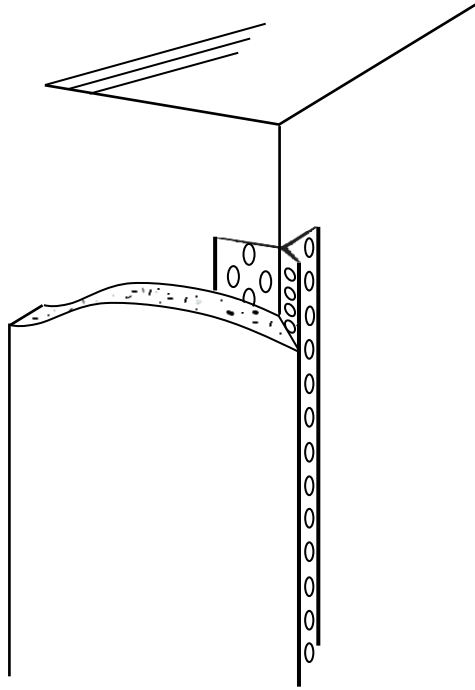


● Installation

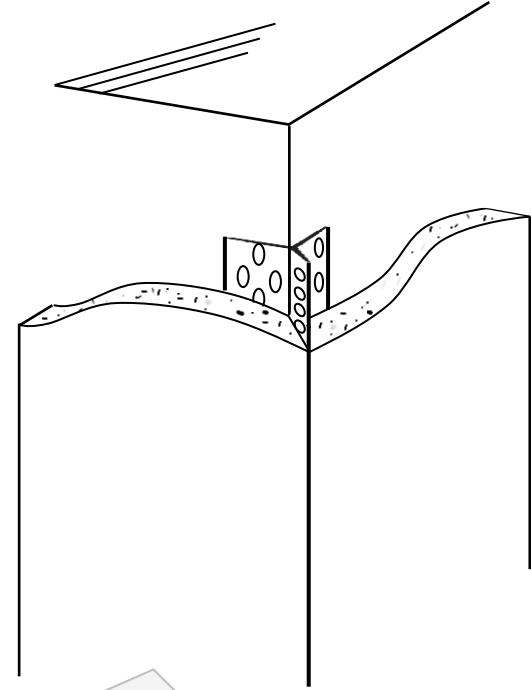
① Attach to corner of concrete foundation



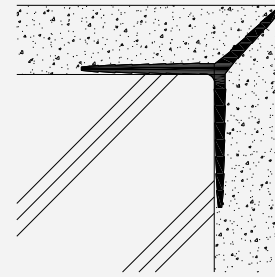
② Apply mortar to one side



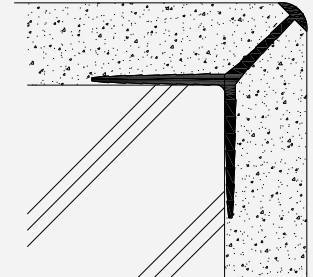
③ Apply mortar to other side



Square Corner



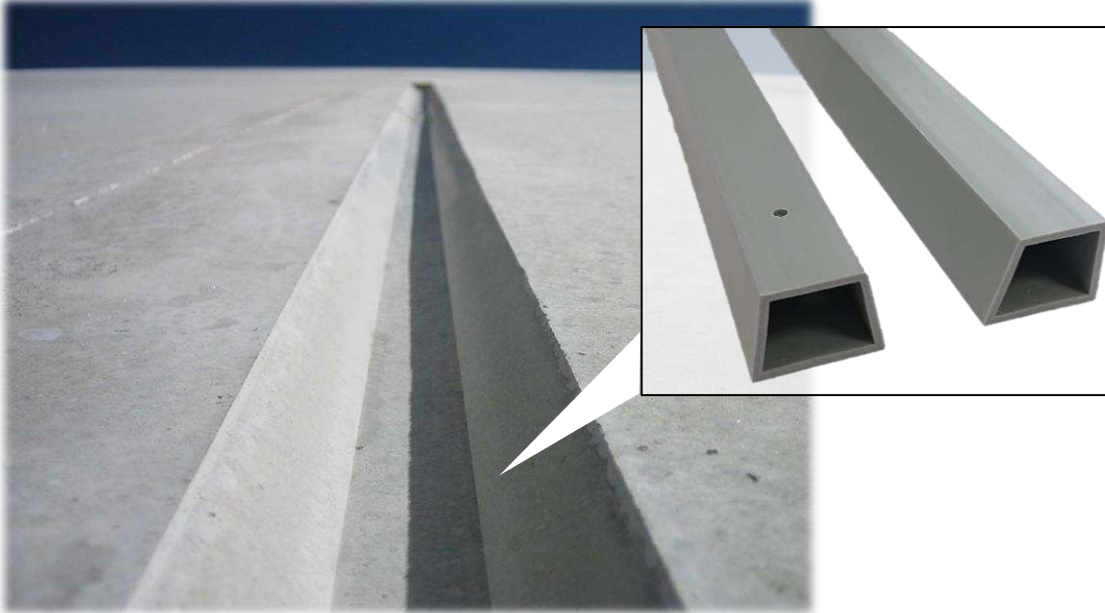
Round Corner



● Construction example <CORNER BEAD-M>

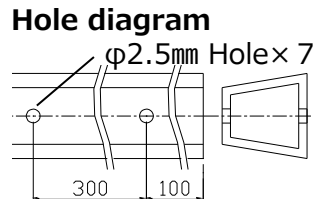


- Control cracks
- Make neat, clean grooves in concrete walls



Key features

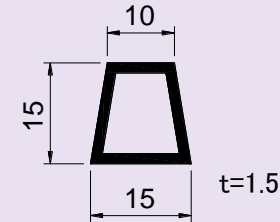
- Can control the position where cracks appear
- Easy to remove while keeping the joint shape neat
- Strong, light-weight, and easy to handle
- Does not absorb water and does not deform
- Easy to install as it has holes



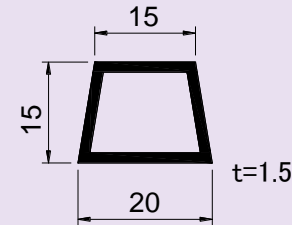
Product drawing

Symmetric

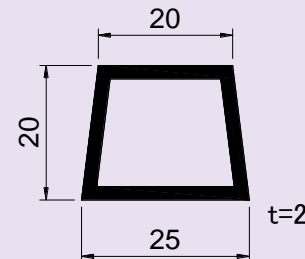
M-15V



M-20V

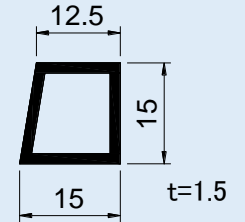


M-25V

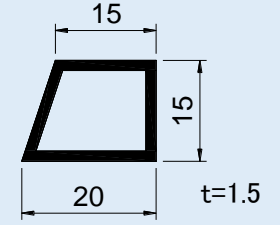


Asymmetric

K-15V



K-20V



- Material : PVC
- Length : 2,000mm
- MOQ : 100pcs
(other than M-25V)
- 50pcs
(only M-25V)

● Purpose of MEJIBO

To control cracks in concrete and mortar

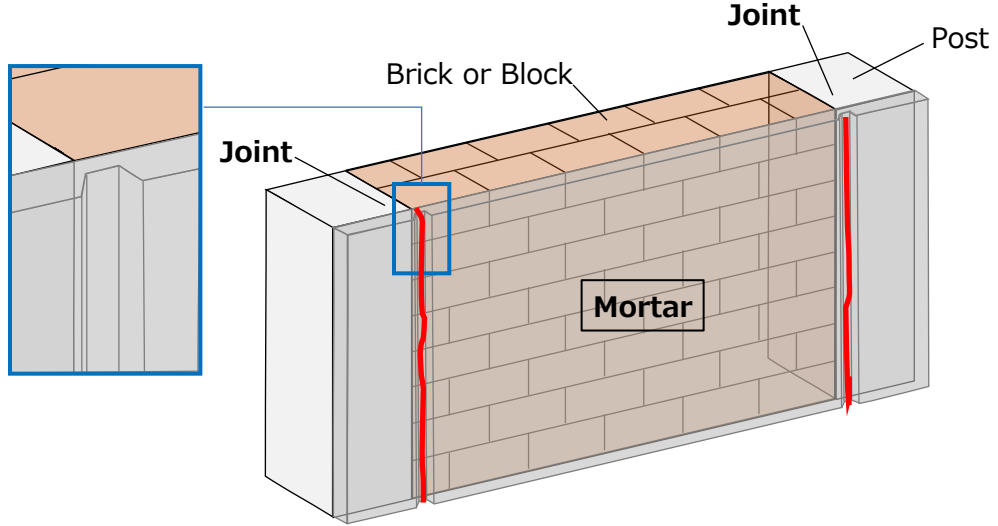
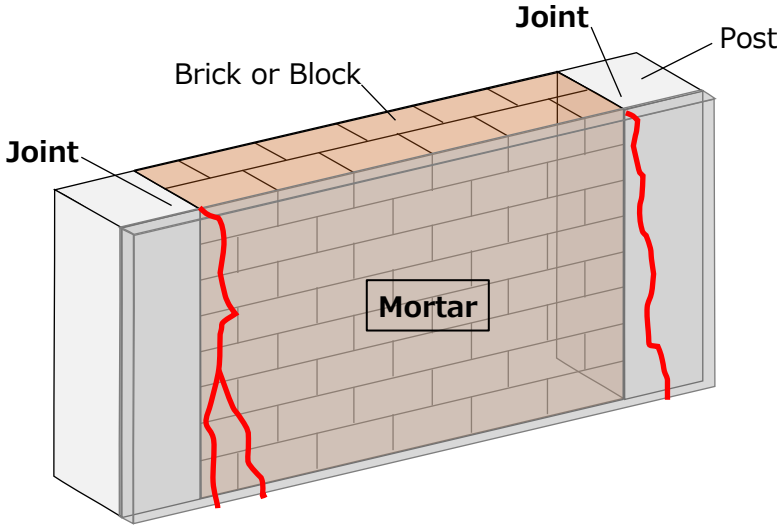
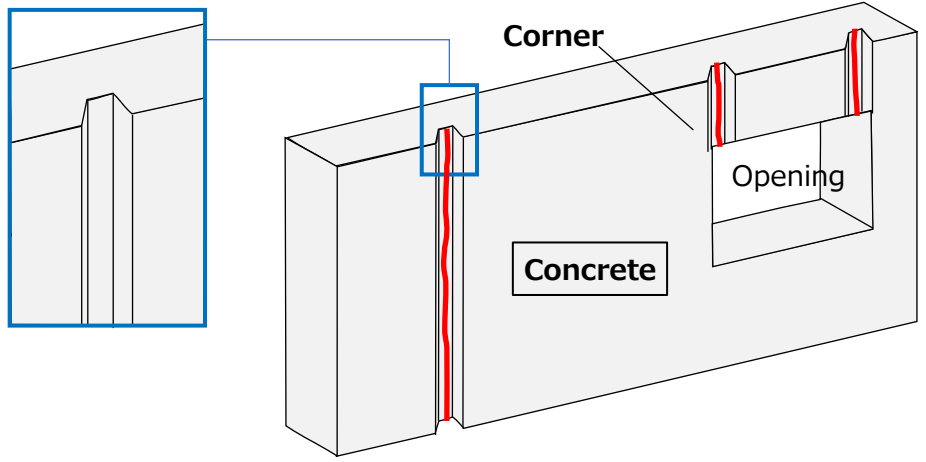
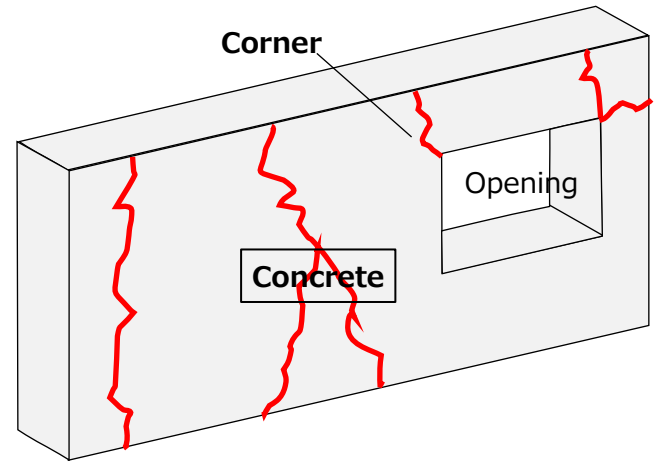
When concrete or mortar dries...

<Wall without groove>

Random cracks Looks **BAD**

<Wall with groove>

Cracks form in the groove Looks **GOOD**



● Purpose of MEJIBO

To design



Groove



Groove

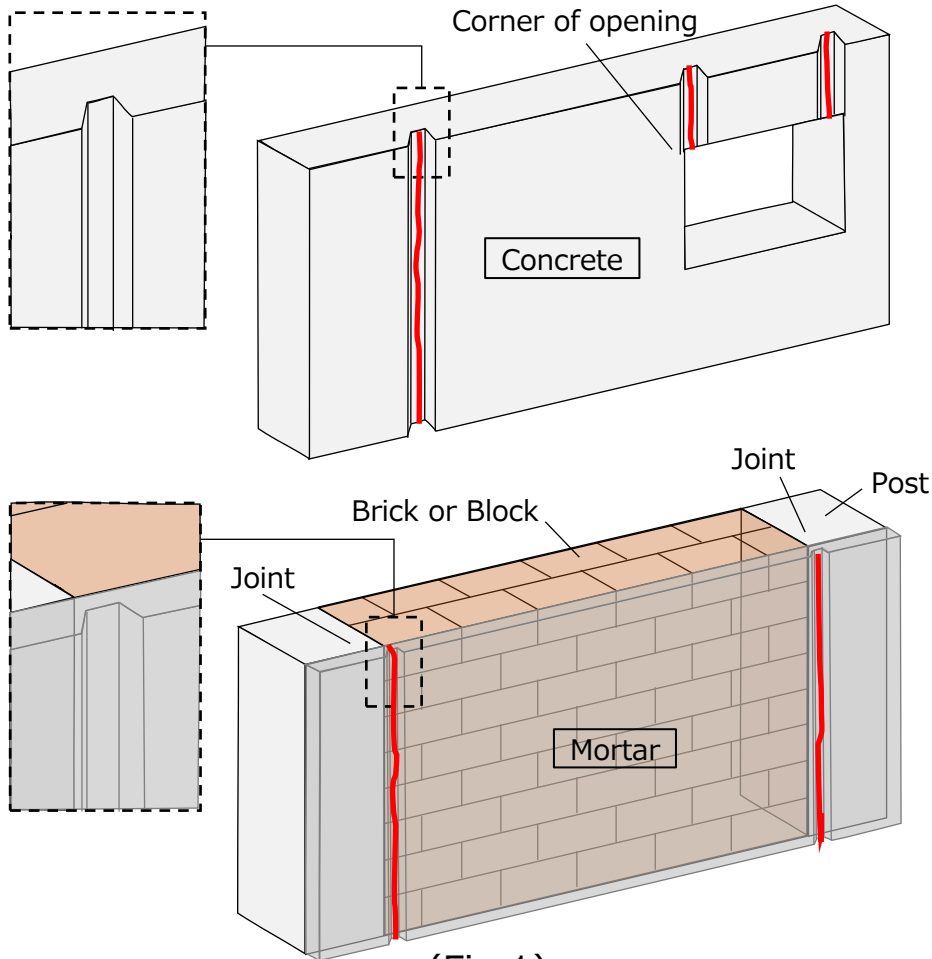
● Differences in usage by MEJIBO shape

Applications for **Symmetrical** products



CASE 1 Concrete and mortar walls generally tend to crack randomly. A groove is provided to control the position where cracks appear. (Figure 1)

CASE 2 Grooves are formed to incorporate designs into relatively simple concrete or mortar walls. (Figure 2)



(Fig 1)



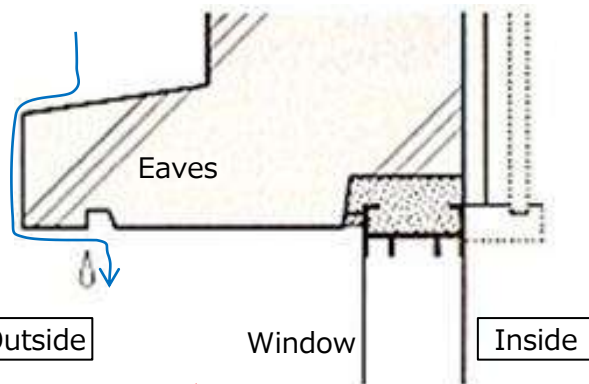
(Fig 2)

Applications for **Asymmetrical** products

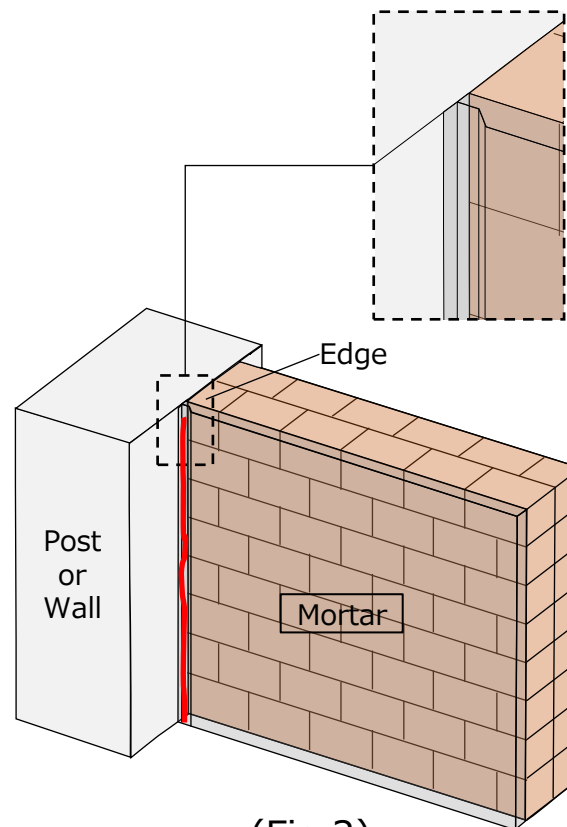
CASE 1 When installing eaves over windows, a groove is provided to prevent rainwater from getting closer the inside through the eaves. If there are no grooves, rainwater gets closer to the inside. (Figure 1)

CASE 2 When a mortar wall touches another post or wall, cracks are likely to form at the end. A groove is provided to control the position where cracks appear. If there are no grooves, cracks occur randomly and looks bad. (Figure 2)

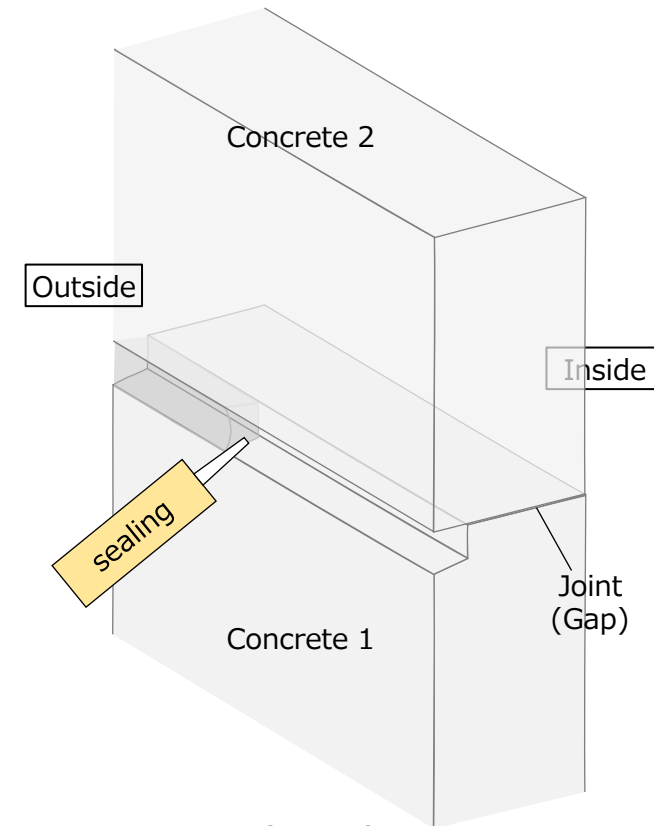
CASE 3 When laying concrete vertically, rainwater can easily enter through the joint. A groove is provided for sealing to prevent rainwater from entering the joint (gap). If there are no grooves, sealing cannot be performed. (Figure 3)



(Fig 1)



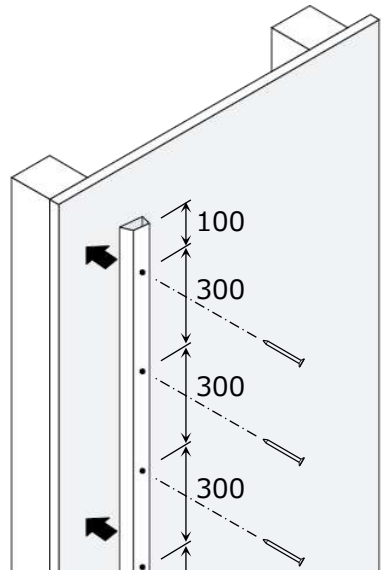
(Fig 2)



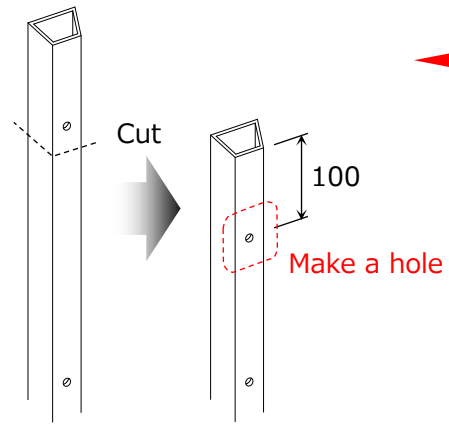
(Fig 3)

● Installation (Pre-Installed Method)

① Secure the MEJIBO to the wooden formwork with nails (Nail in every hole)

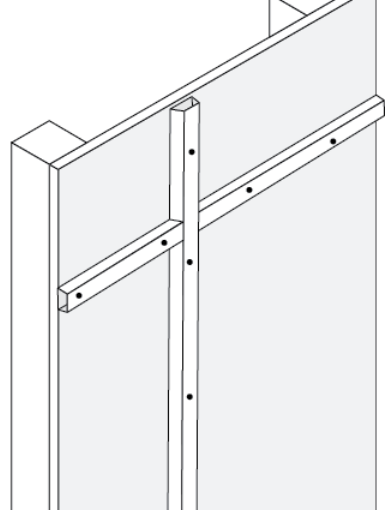


If cut, add a hole at 100mm from the edge and secure with nails.

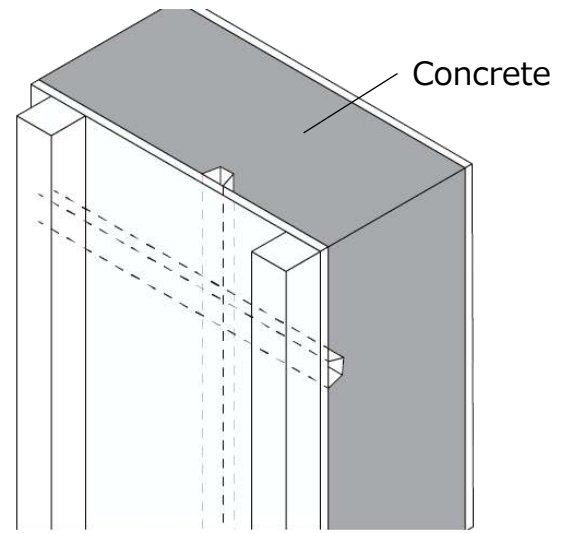


Note that gaps between the formwork and MEJIBO will result in a poor finish.

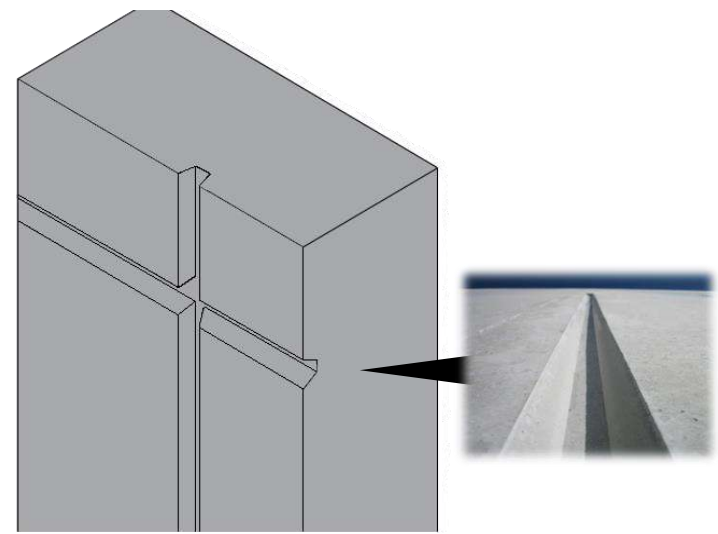
② Secure to all desired locations



③ Apply concrete to wall

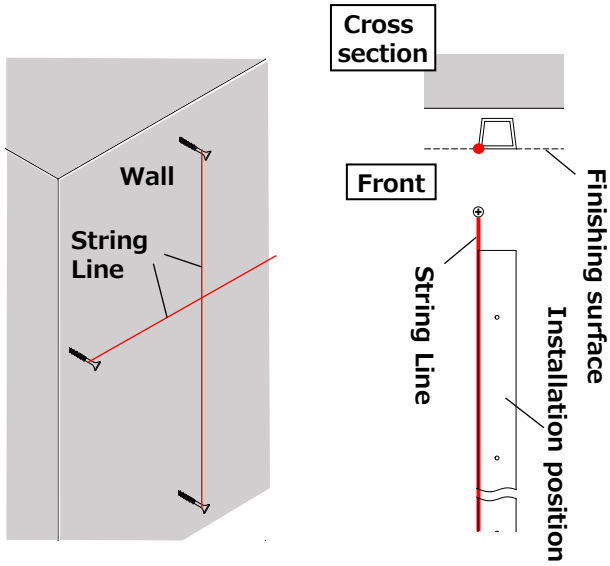


④ Remove the formwork

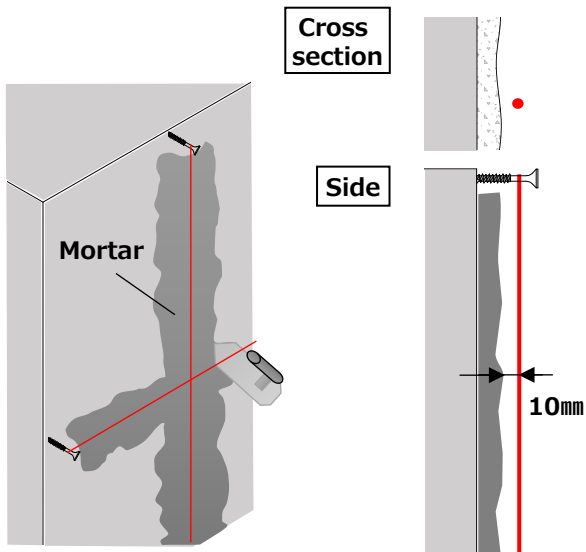


● Installation (Retrofitted Method)

① Attach the string line at the position where the MEJIBO will be installed.



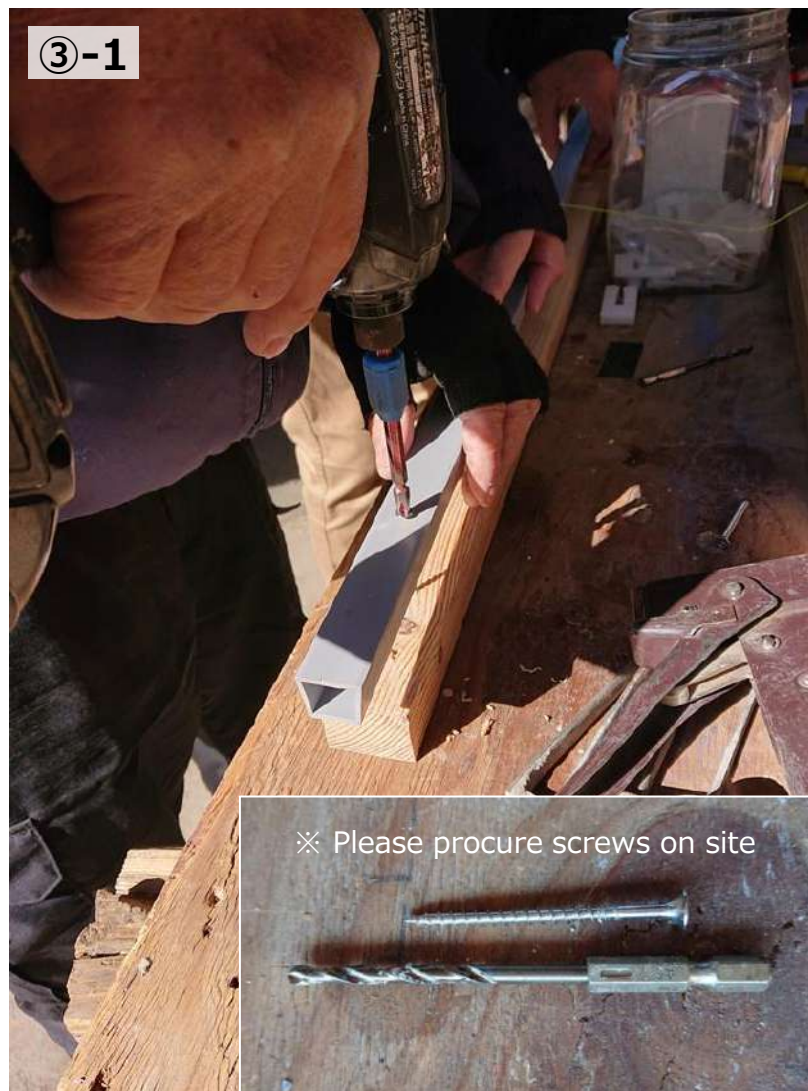
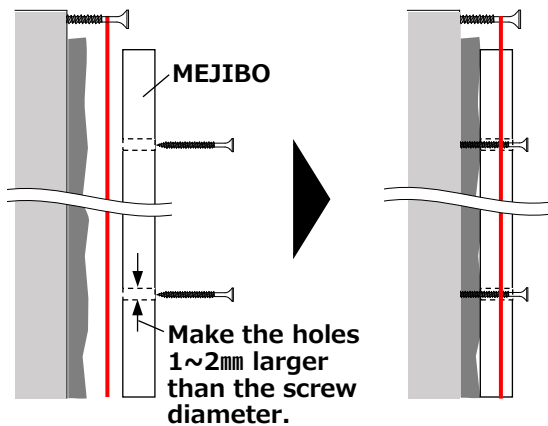
② Apply mortar to the installation surface to a thickness that leaves distance of only 10mm from mortar to the string.



● Installation (Retrofitted Method)

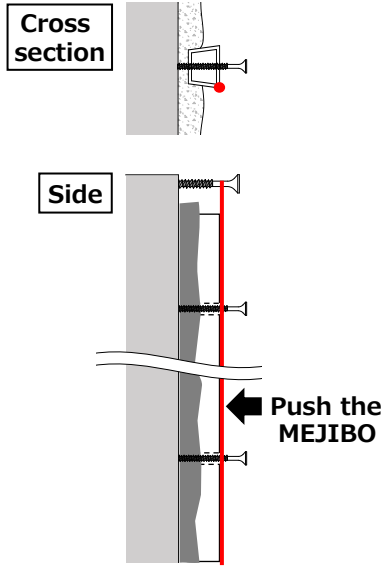
③ Secure the MEJIBO with screws and support it so that it will not fall.

1. In advance, use a drill to make the holes at both ends of the MEJIBO 1~2mm larger than the screw diameter.
2. Attach a screw to the wall to support the MEJIBO.



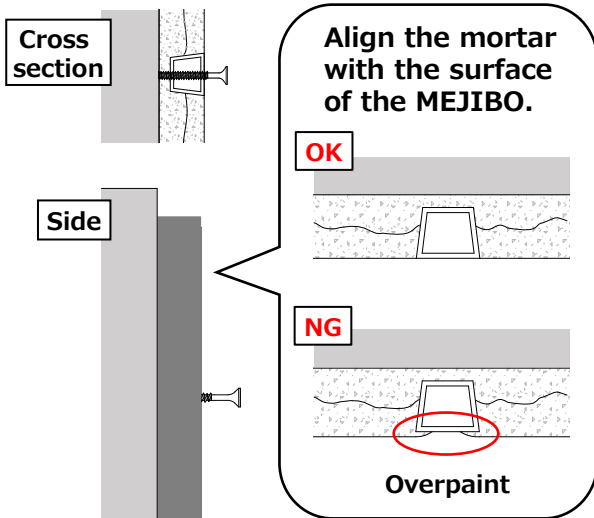
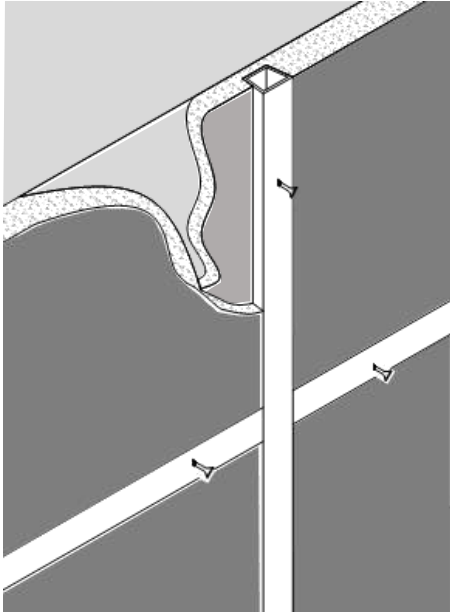
● Installation (Retrofitted Method)

④ Push the MEJIBO to the string.



● Installation (Retrofitted Method)

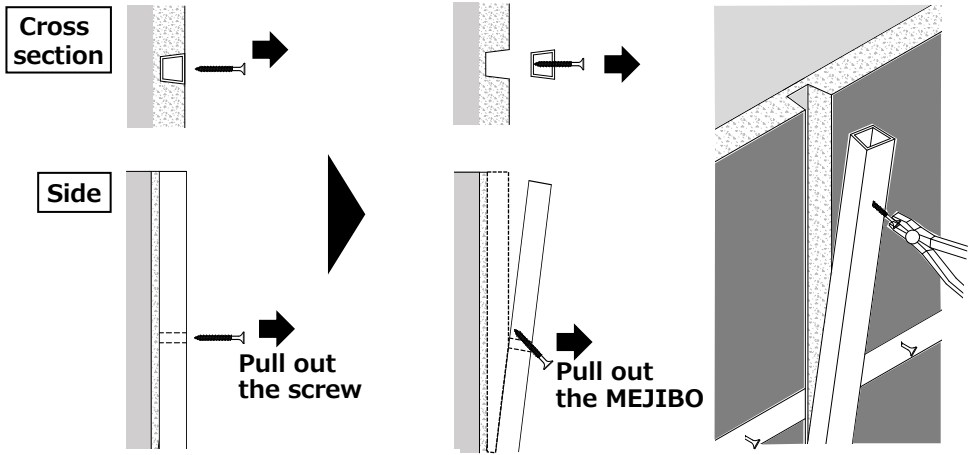
⑤ After the mortar has cured, remove the string and finish the surface according to the height of MEJIBO.



● Installation (Retrofitted Method)

⑥ After the mortar has cured, remove the MEJIBO.

1. Pull out the screws.
2. Insert a screw diagonally into the MEJIBO and pull the MEJIBO out by gripping screw with pliers.



● Finish (Retrofitted Method)



The appearance of the original small hole



The appearance of the enlarged hole (Need repair)



● Construction example <MEJIBO>

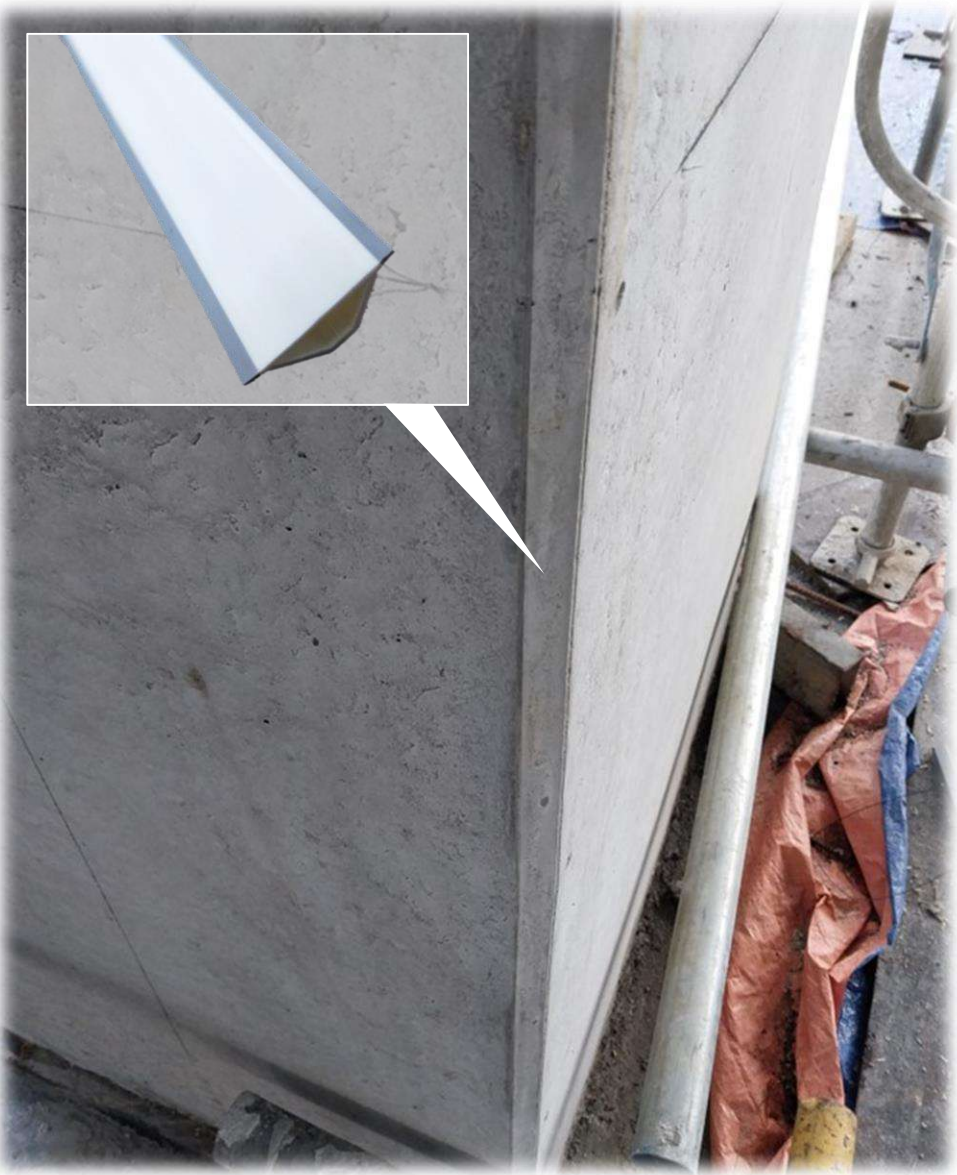
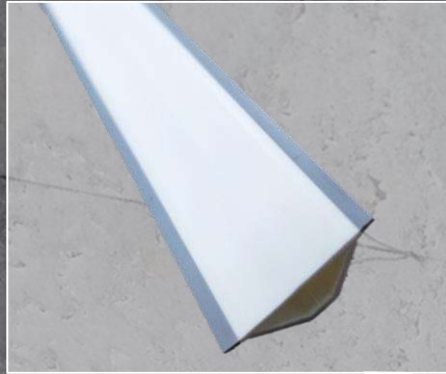
■ OFFICE (HO CHI MINH / VIETNAM)



■ FACTORY (BA RIA-VUNG TAU /VIETNAM)



● Clean the corners of concrete posts

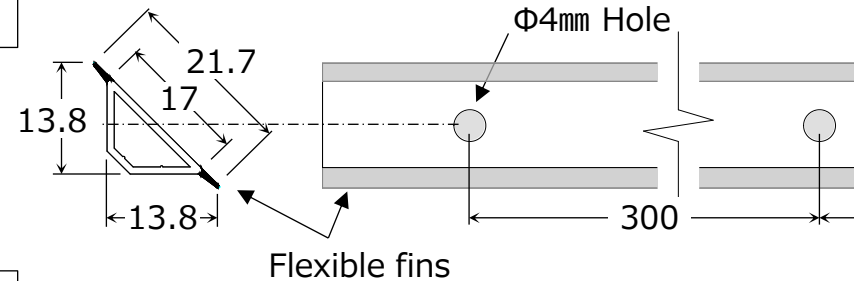


Key features

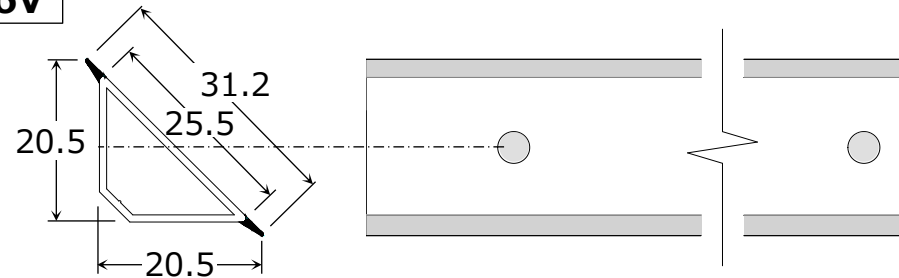
- Beautifully finished corners
- Safe without sharp edges
- Flexible fins prevent concrete leaks
- Easy to install as it has holes

● Product drawing

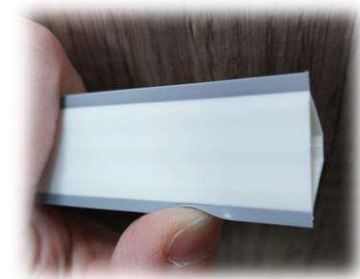
C-17V



C-26V



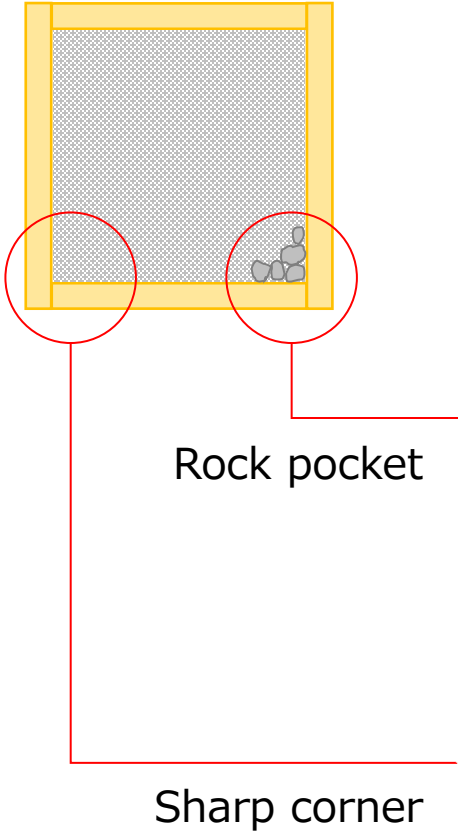
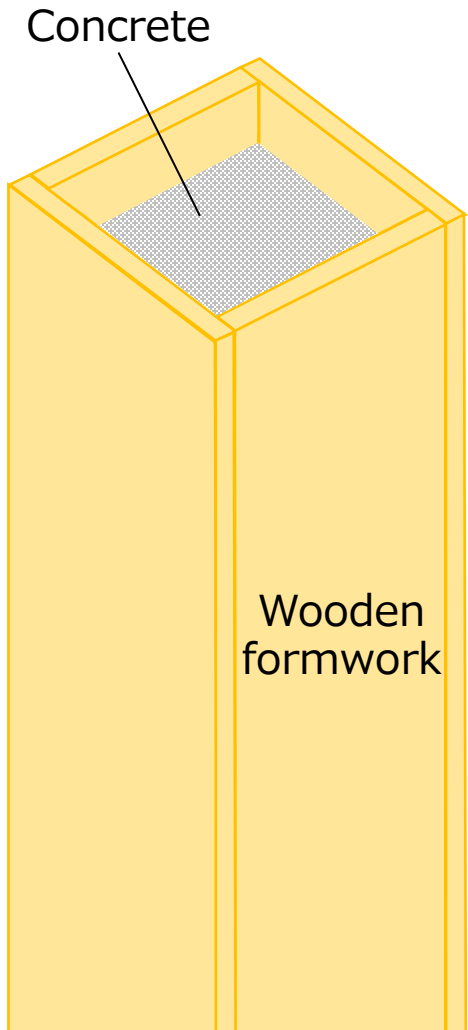
- **Material** : PVC
- **Color** : White
- **Length** : 2,438mm
- **MOQ** : 100pcs (C-17V)
48pcs (C-26V)



● Purpose of Chamfer

To eliminate sharp corners and make it safe
To fill the corners with concrete

< Post without chamfer >



**Sharp-pointed
Rock pocket is easy to appear**

**BAD
Finish**

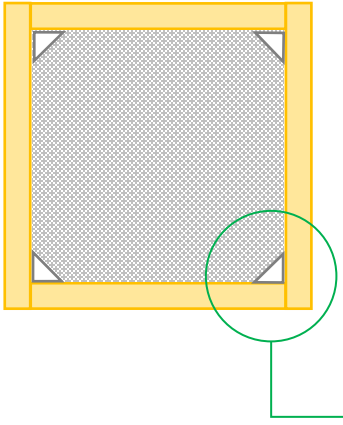
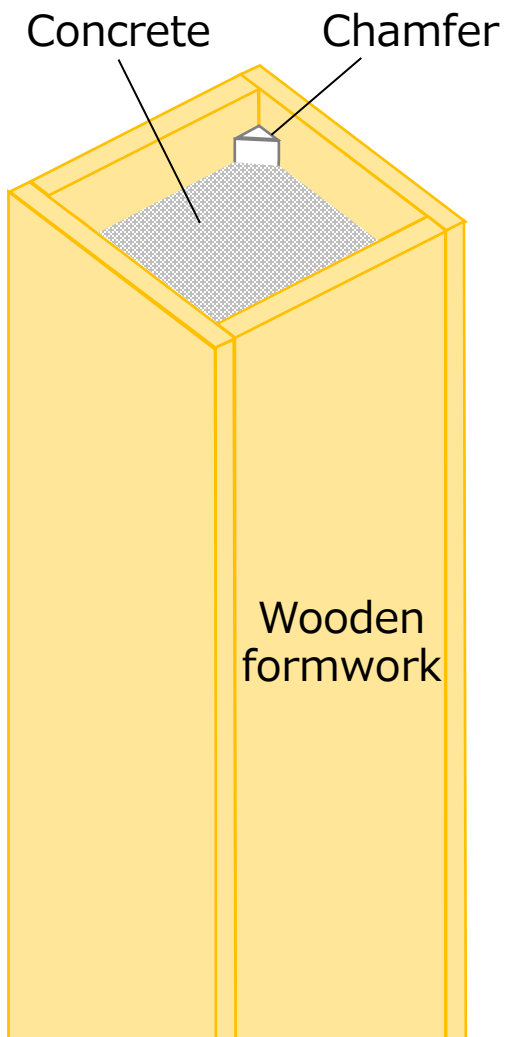
※Rock pocket=Parts formed by gathering concrete aggregates



● Purpose of Chamfer

To eliminate sharp corners and make it safe
To fill the corners with concrete

< Post with chamfer >



Safe without sharp edges
Rock pocket is hard to appear

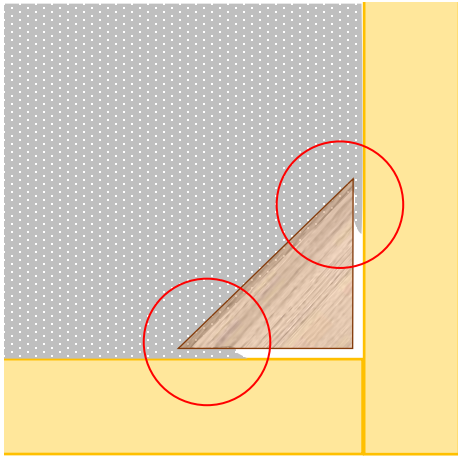
**GOOD
Finish**



● Effect of flexible fins

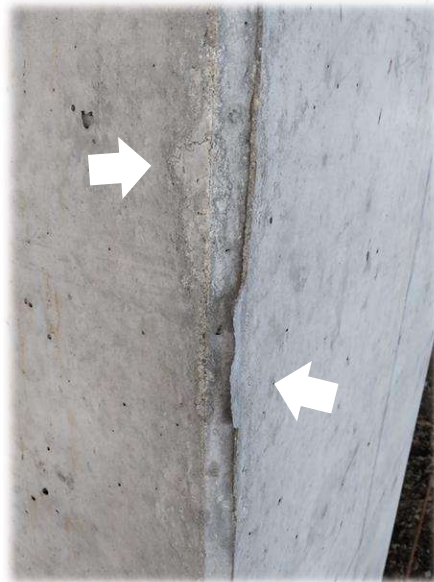


Chamfer without fins

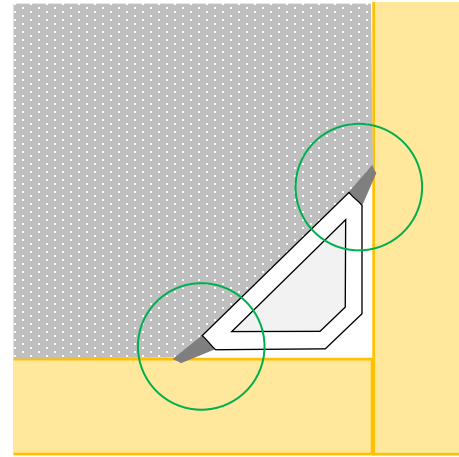


Concrete tends to leak between the formwork and the chamfer before it hardens

Looks **BAD**



Chamfer with fins



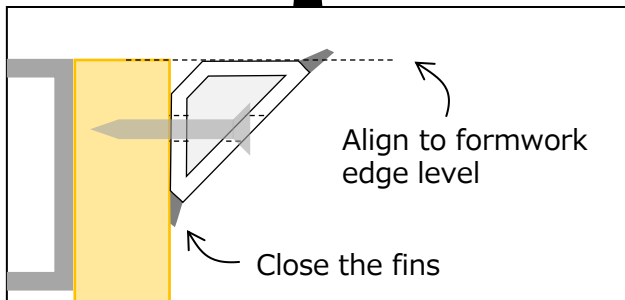
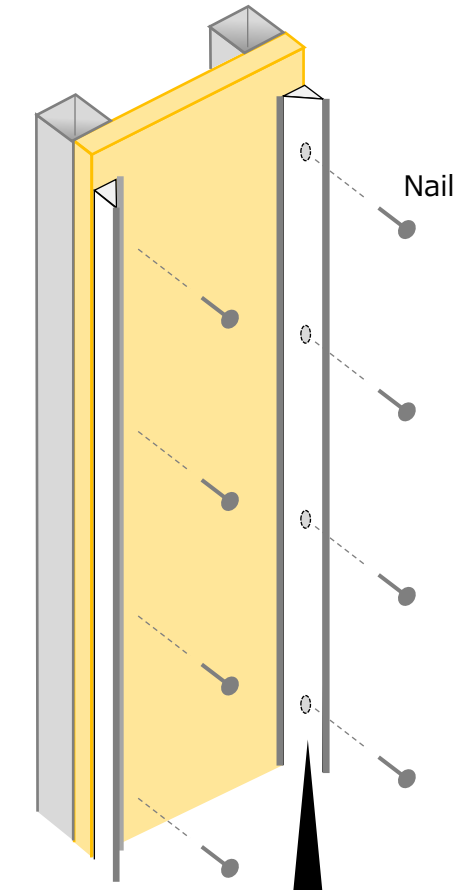
Concrete does not leak because the fins are in close contact with the formwork

Looks **GOOD**

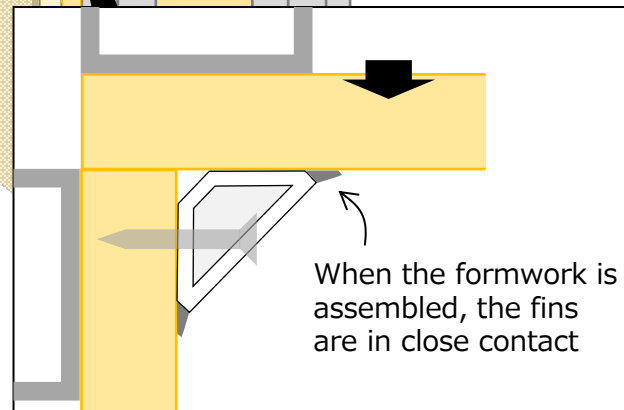
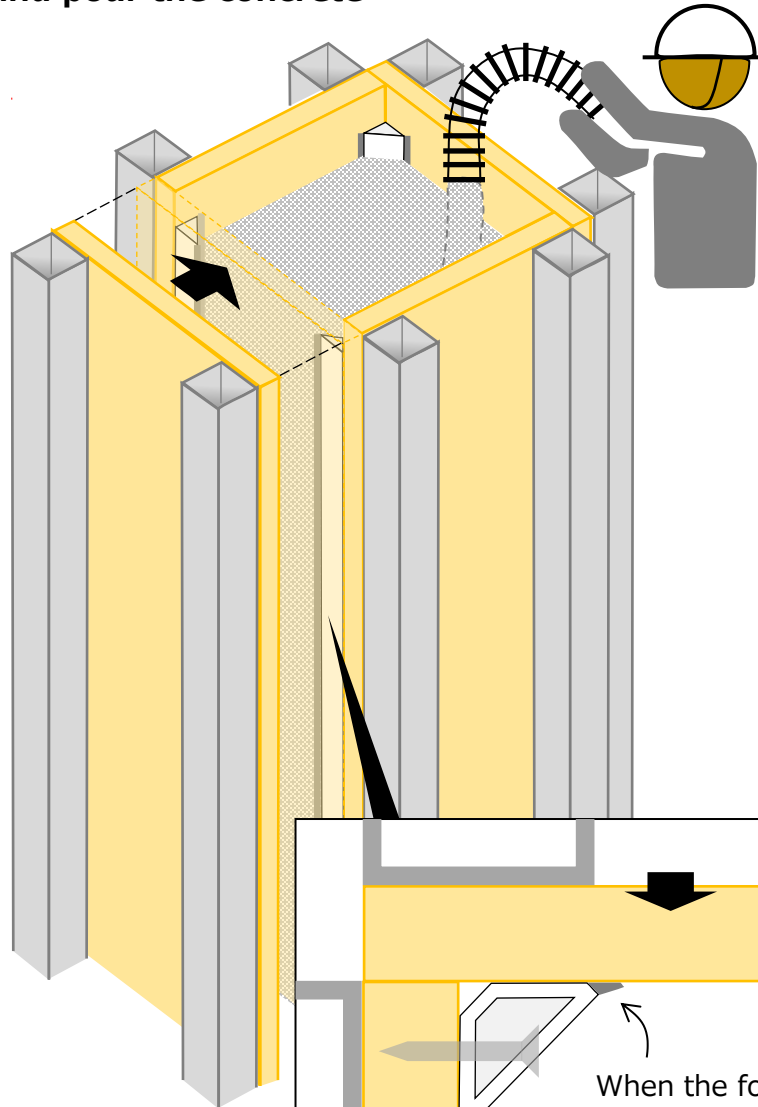


● Installation

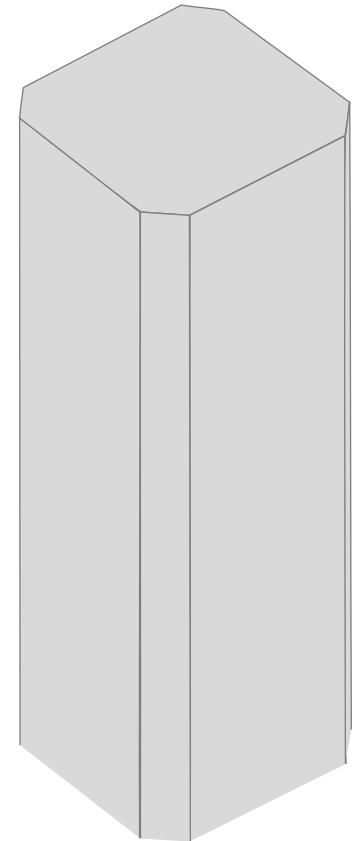
- ① Secure the chamfer to the formwork



- ② Assemble the formwork in a post shape and pour the concrete

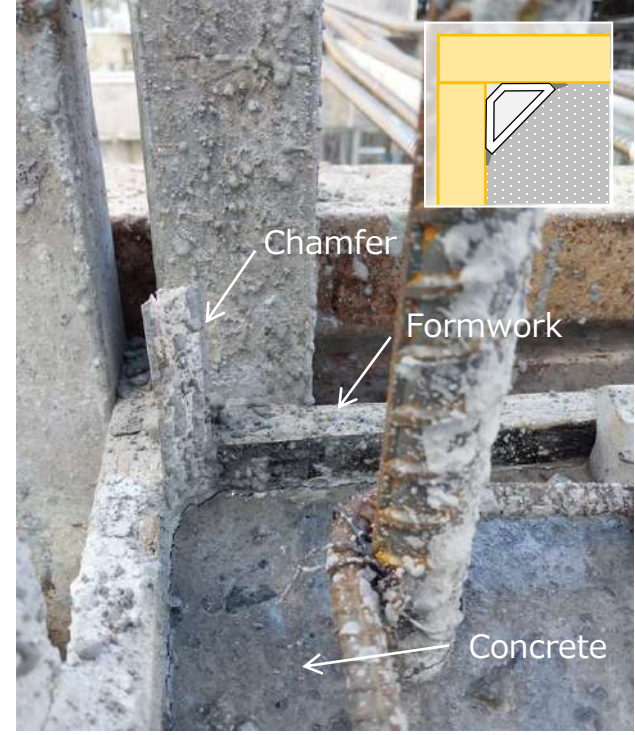


- ③ After the concrete hardens, the formwork is removed to complete



● Construction example <CHAMFER>

■ FACTORY (DA NANG / VIETNAM)



■ FACTORY (DA NANG / VIETNAM)





FUKUVI

<https://fvc.fukuvi-jp.com>

