

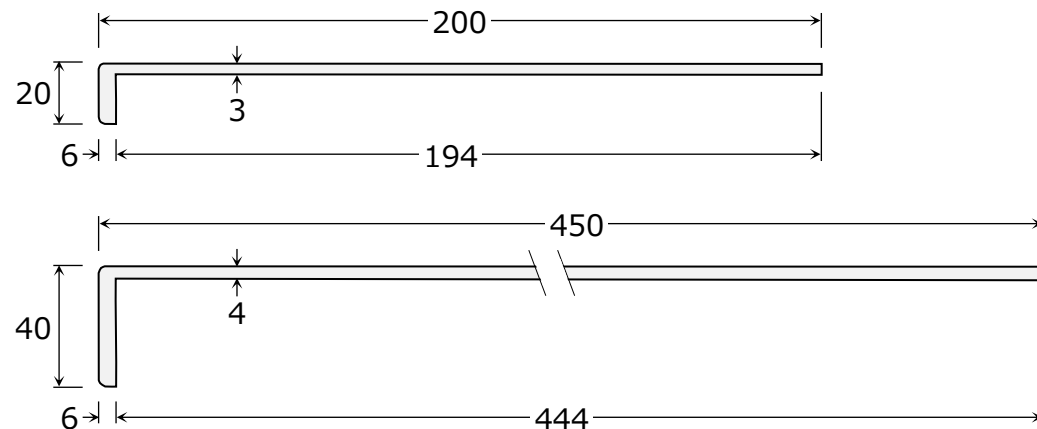
● prevent dirt and scratches



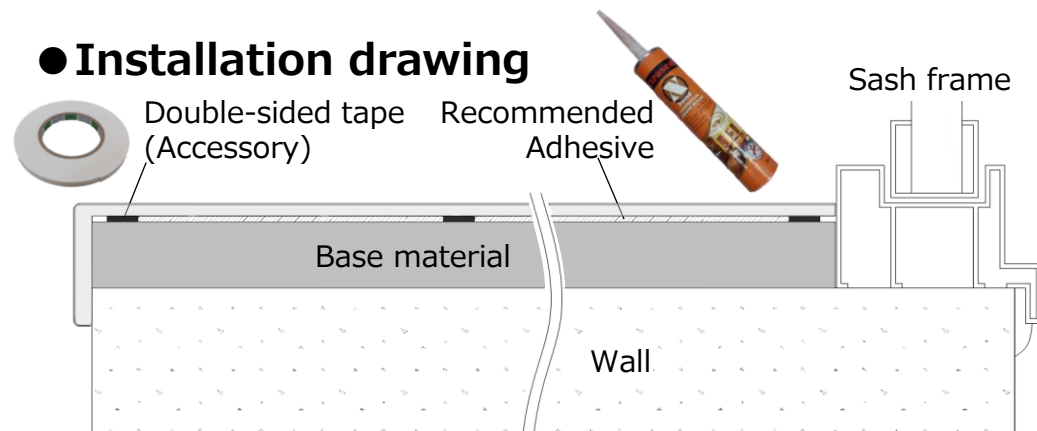
Key features

- Keeps the lower part of the window clean and free from dirt
- Prevents scratches
- Gloss finish
- Antimicrobial properties
- Easy to cut to size

● Product drawing



● Installation drawing



- Material : PVC
- Color : White
- Length : 1,800mm
- Width : 200mm、450mm
- MOQ : 2 set



● Purpose of Window Stool Cover

Keeps dirt out, Prevents scratches, Prevents chipping



● Installation [Concrete base]

① Prepare the base material

Prepare [Gypsum board 5-12mm thick] or [Concrete board 5-12mm thick] after **10mm or more** as shown in the figure below

Sash frame
Base material
Concrete base
Over 10mm

Cut
Base material
Cut

Match the width and depth of the concrete base

② Make the concrete base smooth and level

Remove any protrusions and level with spacers

Temporarily place the base material and check for smoothness and levelness

Spacer
Concrete base
Spacer

Rattling NG
Slope NG

③ Apply adhesive to the concrete base

Adhesive

Adhesive diameter $\Phi 4\text{mm}$
• 150mm pitch wavy line
• Perimeter is straight

④ Attach the base material to the concrete base

After attaching, place weights evenly on the surface until the adhesive hardens

⑤ Cutting the window stool cover

Cut
Cut

Match the base material depth

⑥ Apply double-sided tape and adhesive to the base material

Double-sided tape

Adhesive

Adhesive diameter $\Phi 4\text{mm}$
• Between double-sided tapes 150mm pitch wavy line
• Both ends are straight

• Align with the edge of the long side
• Add tape (100mm pitch)

100mm
100mm

⑦ Attach the window stool cover to the base material

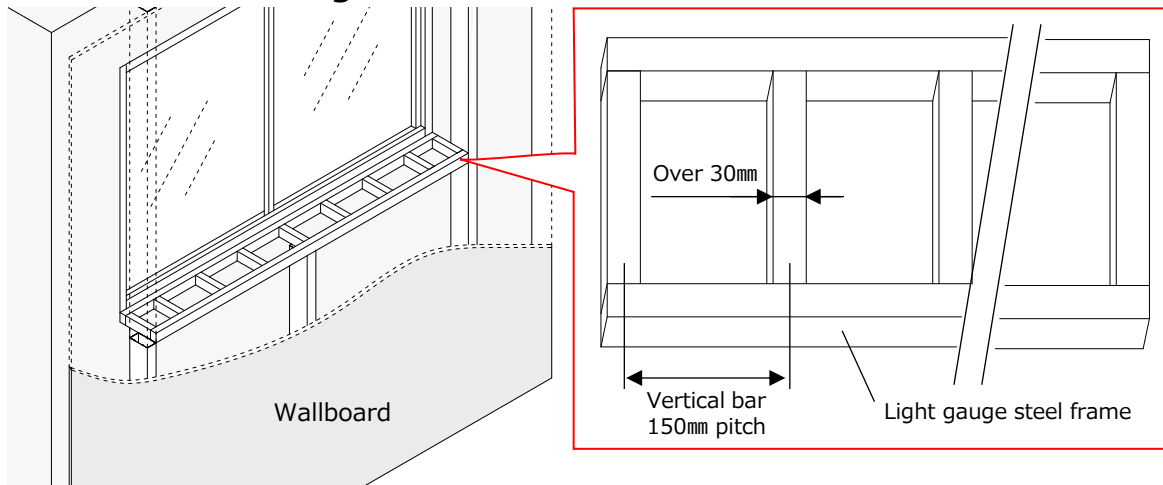
⑧ Caulking

Fill the gap between panel and frame

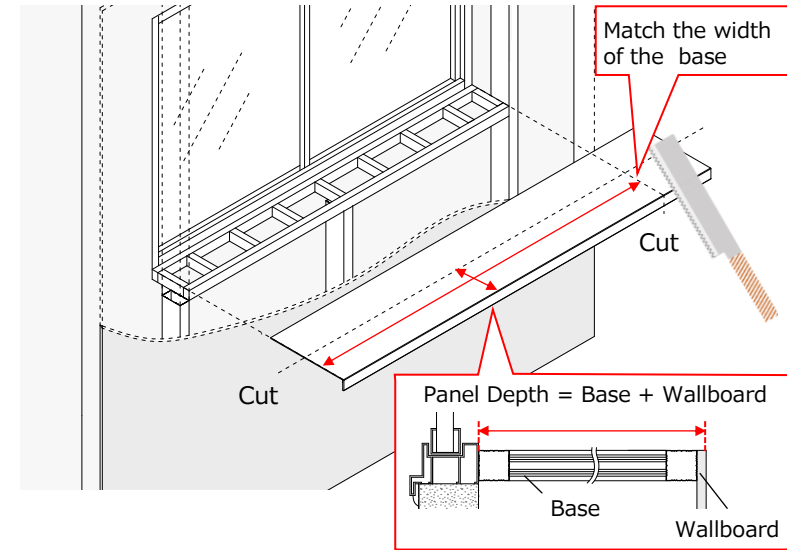
Gap
Gap
Edge

● Installation [Light-gauge steel base]

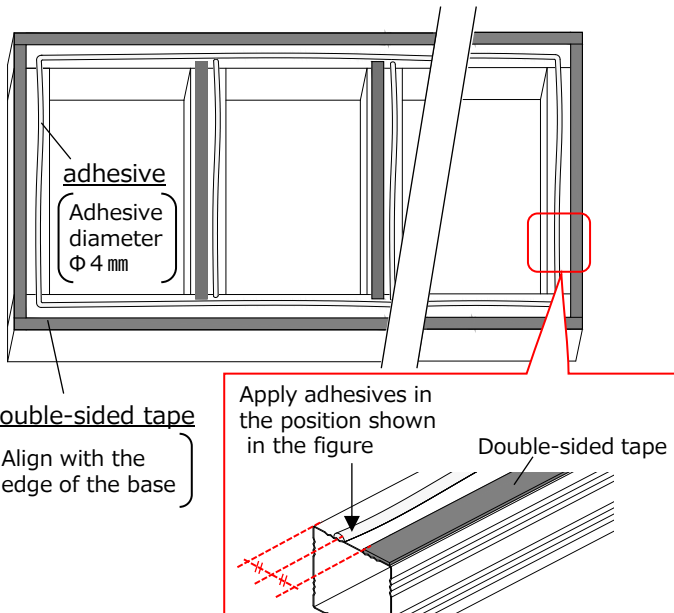
① The base is constructed with a light gauge steel frame as shown in the figure below



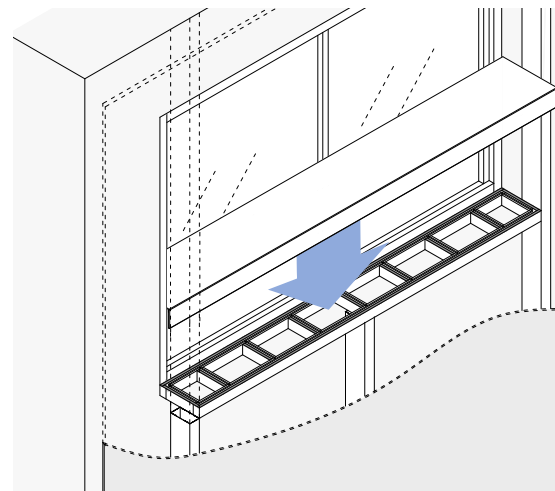
② Cutting the window stool cover



③ Apply double-sided tape and adhesive

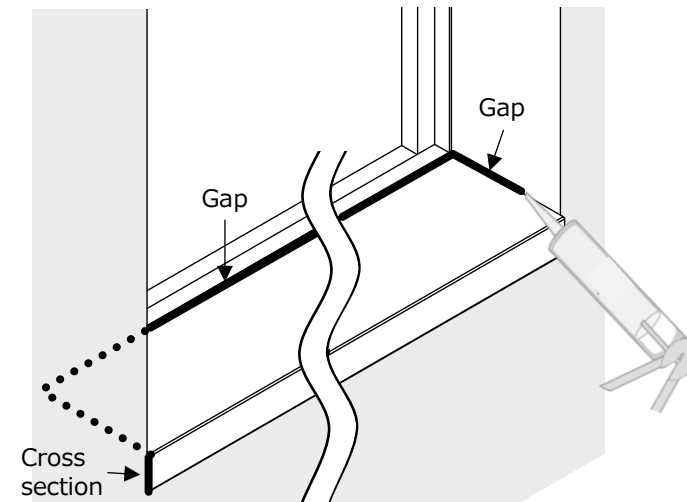


④ Attach the window stool cover to the base



⑤ Caulking

Fill the gap between panel and frame



● Construction example <Window Stool Cover>

■ FACTORY OFFICE (LONG AN/VIETNAM)



■ FACTORY OFFICE (LONG AN / VIETNAM)

