

- Inspection opening frame for ceiling with a hanging lid that dose not get dirty easily

450 type



- **Material** : Aluminum
- **Color** : Silver
- **Size** : **450 type**
600 type
1200×600 type
- **MOQ** : 1 set

Key features

- The lid is connected to the frame and hangs when open
- The lid doesn't get dirty easily when opening and closing
- The lid can be closed with a lock
- Clean and neat connection with paint and wallpaper
- Large equipment can be moved in and out



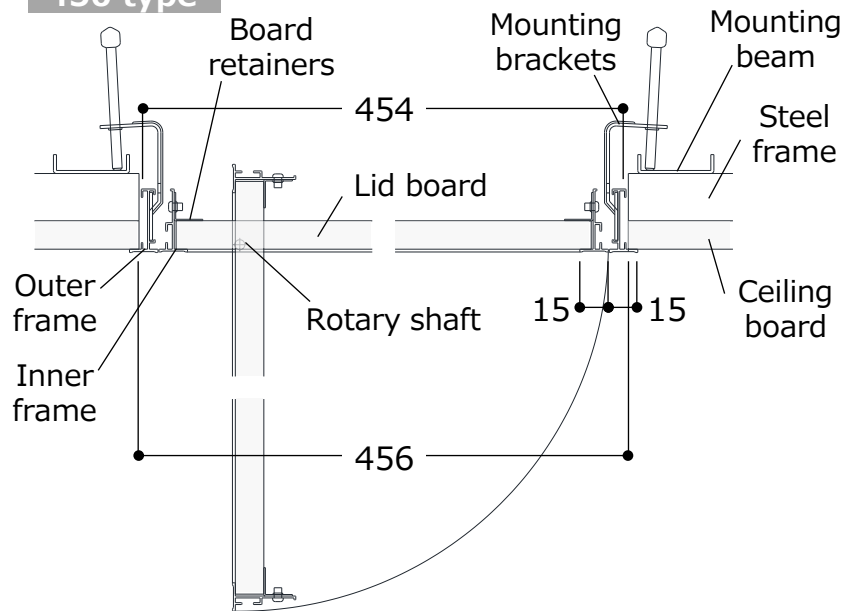
1200×600 type



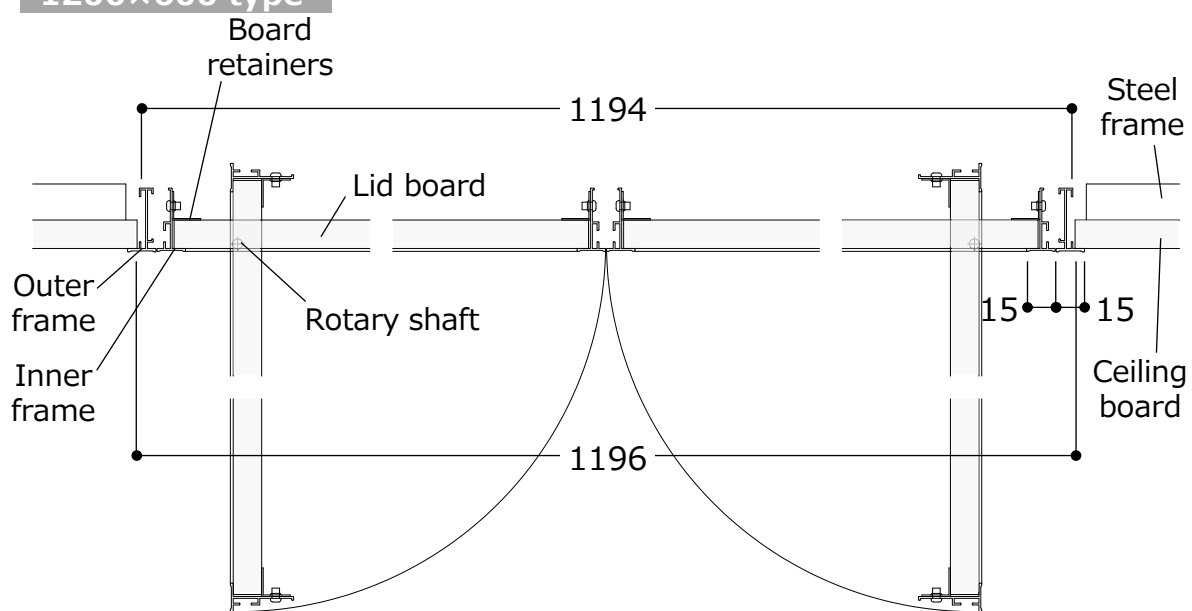
	450 type	600 type	1200×600 type
Frame	 <p>ALUMINUM 454×454mm</p>	 <p>ALUMINUM 606×606mm</p>	 <p>ALUMINUM 1194×606mm</p>
Attachable board thickness	4~27mm	4~27mm	4~27mm
Ceiling opening dimensions	456×456mm	608×608mm	1196×608mm
Inspection opening dimensions	436×364mm	588×516mm	1038×588mm
Accessories	<p>Board retainers Mounting Brackets</p> 	<p>Board retainers Mounting Brackets</p> 	<p>Board retainers Mounting Brackets</p>  <p>Fixing Brackets Hanging brackets</p>

● Installation drawing

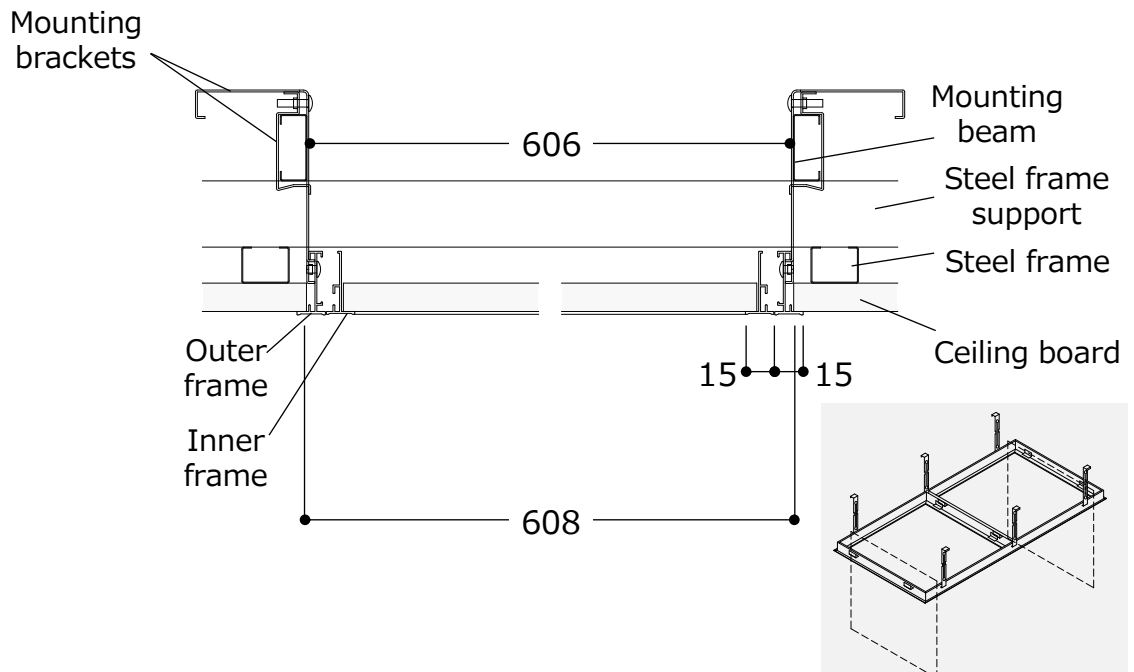
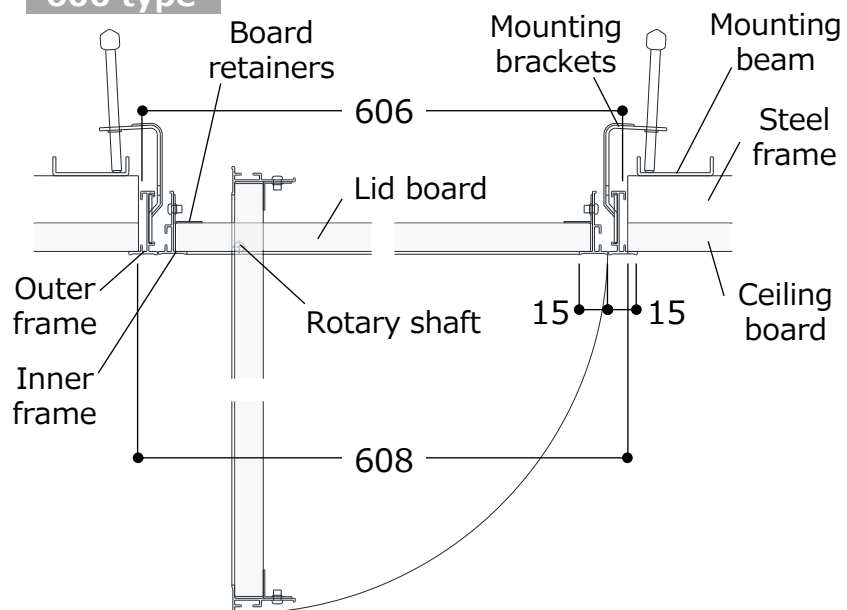
450 type



1200×600 type



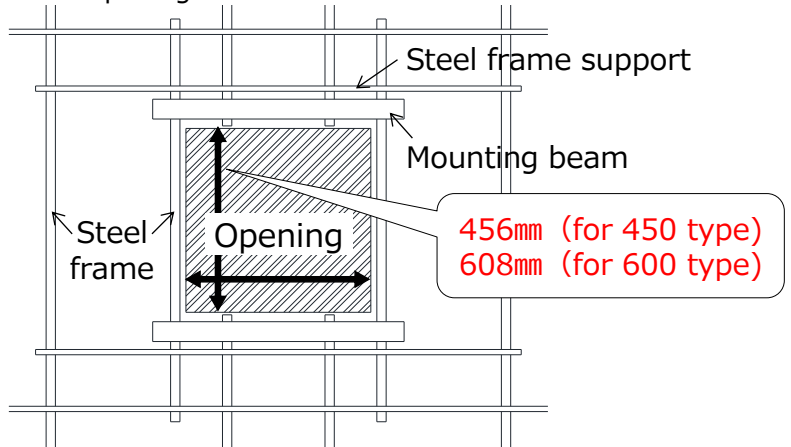
600 type



● Installation (450, 600 type)

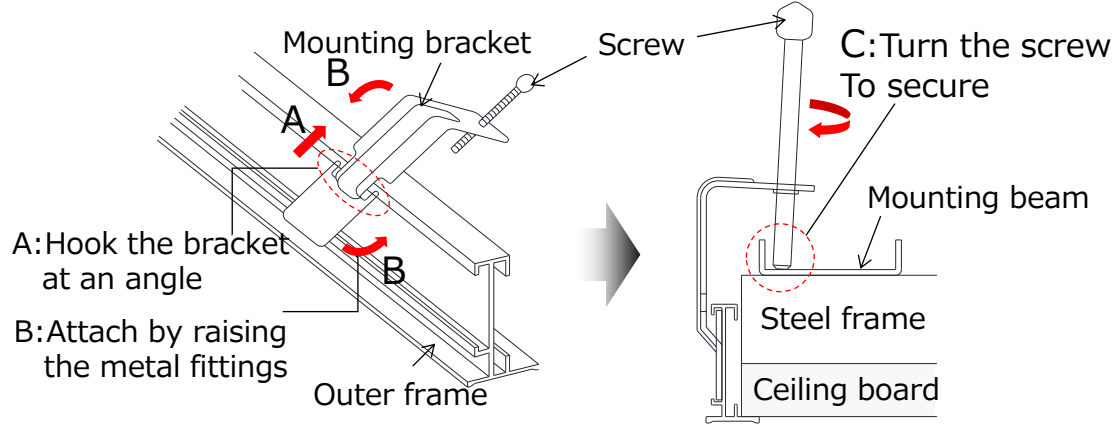
① Install the steel frame base, and create an opening in the ceiling material

- Mount the base (be sure to preserve the opening's integrity)
- Create an opening for the outer frame



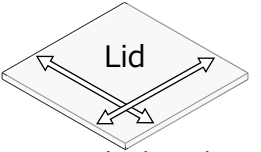
② Attach the outer frame to the mounting base (Lightweight steel base)

- Fit the outer frame into the opening
- Attach the mounting bracket to the outer frame (A, B)
- Turn the screw to secure it to the support beam (C)



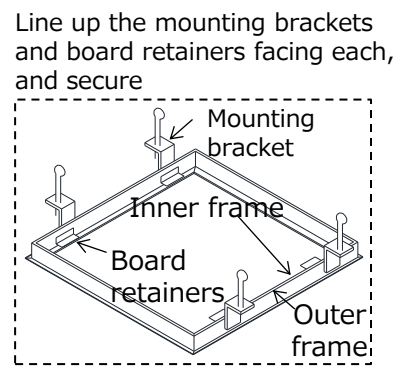
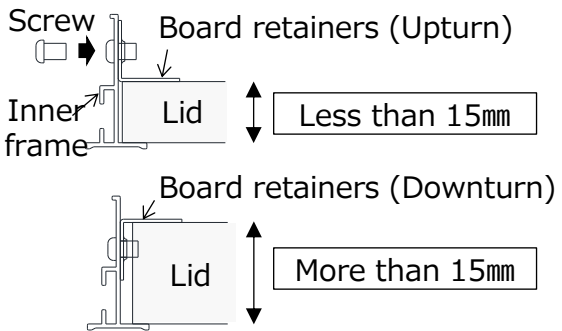
③ Secure the lid to the inner frame

- Lid thickness: Up to 25mm
- Cut the lid to fit the inner frame (Refer below)



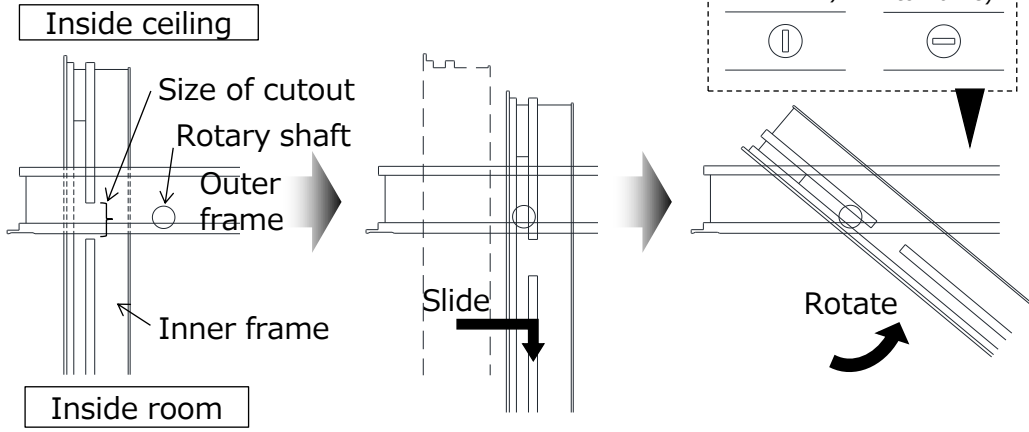
Product	Thickness	450 type	600 type
Lid dimensions	Less than 15mm	417mm	569mm
	More than 15mm	415mm	567mm

- Insert the board into the inner frame and secure the lid with board retainers
- ※ The direction of retainers will change depending on the thickness of the board



④ Attach the inner frame to the outer frame

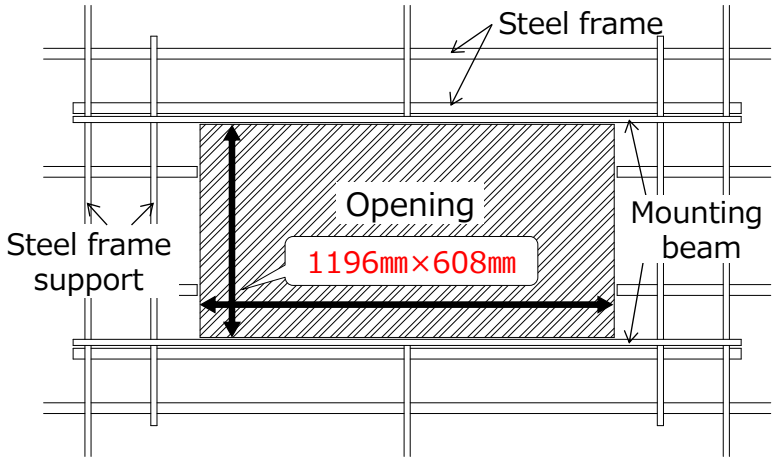
- Insert the inner frame into the outer frame
- Slide the inner frame onto the rotary shaft through the inner frame's cutout, then slide it down into place.
- Rotate the inner frame 90 degrees and turn the key 90 degrees to lock it



● Installation (1200×600 type)

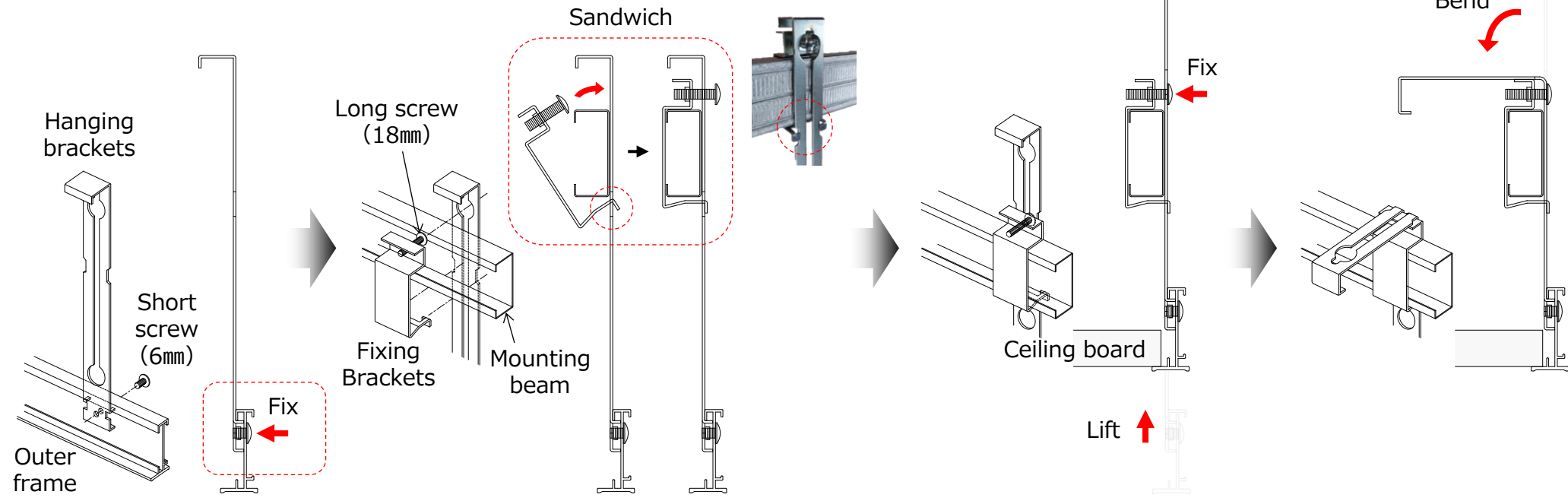
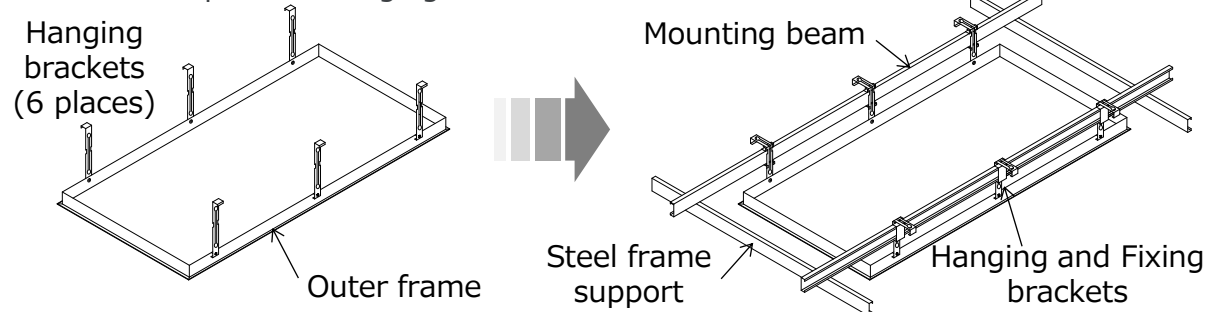
① Install the steel frame base, and create an opening in the ceiling material

- Mount the base (be sure to preserve the opening's integrity)
- Create an opening for the outer frame



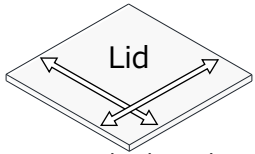
② Attach the outer frame to the mounting base (Lightweight steel base)

- Fix six hanging brackets to the outer frame with short screws, and then fit them into the opening
- After attaching the long screw to the fixing bracket, sandwich the mounting beam between hanging brackets and fixing brackets
- Lift the outer frame, align it to the ceiling, and then secure it with long screws
- Bend the top of the hanging bracket



③ Secure the lid to the inner frame

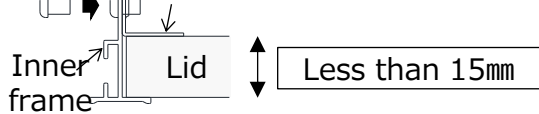
- Lid thickness: Up to 25mm
- Cut the lid to fit the inner frame (Refer below)



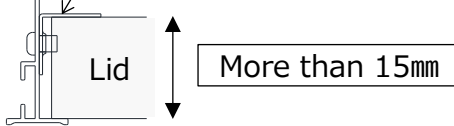
Product	Thickness	1200×600 type
Lid dimensions	Less than 15mm	569mm
	More than 15mm	567mm

- Insert the board into the inner frame and secure the lid with board retainers
- ※The direction of retainers will change depending on the thickness of the board

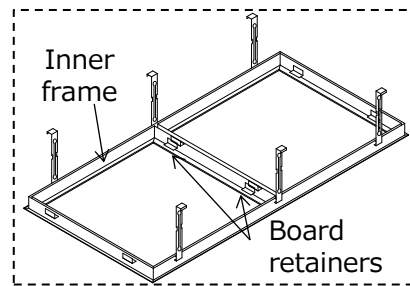
Screw → Board retainers (Upturn)



Board retainers (Downturn)



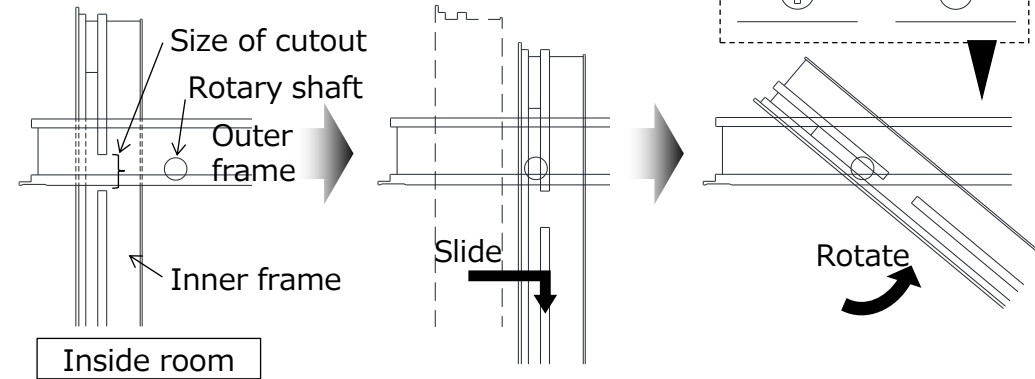
Line up the board retainers facing each, and secure



④ Attach the inner frame to the outer frame

- Insert the inner frame into the outer frame
- Slide the inner frame onto the rotary shaft through the inner frame's cutout, then slide it down into place.
- Rotate the inner frame 90 degrees and turn the key 90 degrees to lock it

Inside ceiling



- ✗ After installation or during inspection, do not stand on the frame. Standing on it will damage the frame.
- ✗ When opening the lid, for safety, support it with your hand. If not supported, the lid will open with force, creating a dangerous situation.

● Construction example <Aluminum TENKENO-N>

■ FACILITY (HO CHI MINH / VIETNAM) 600 type



■ SHOP (HO CHI MINH / VIETNAM) 600 type



■ BUILDING (TOKYO/JAPAN)

450 type

