

- Inspection opening frame for ceiling with a hanging lid that dose not get dirty easily



- **Material** : Aluminum
- **Color** : Silver

- **Size** : 454×454mm (Actual opening 436×364mm)
606×606mm (Actual opening 588×516mm)

- **MOQ** : 1 pcs

Key features

- The lid is connected to the frame and hangs when open
- The lid doesn't get dirty easily when opening and closing
- The lid can be closed with a lock
- Clean and neat connection with paint and wallpaper

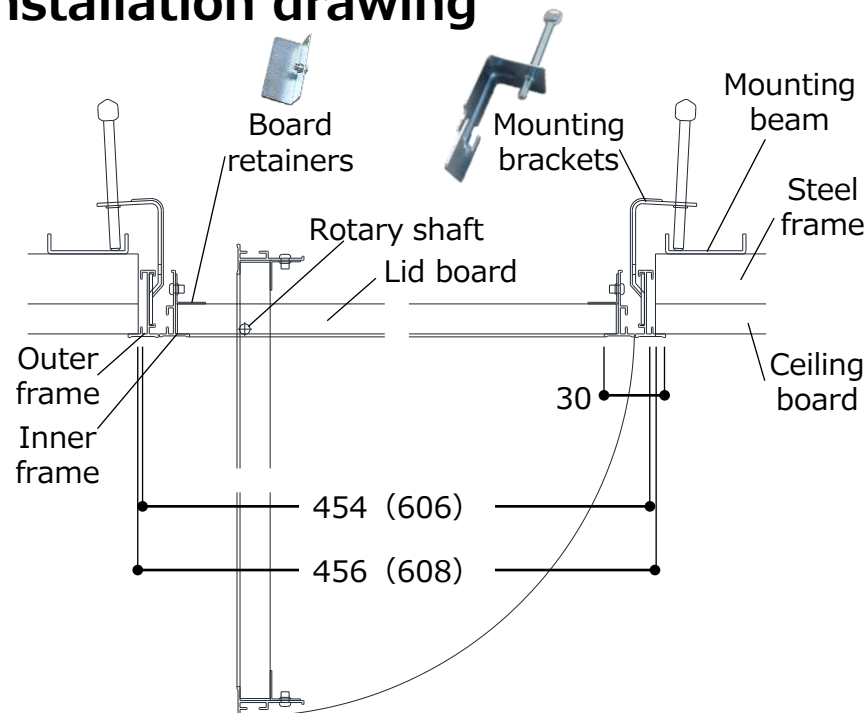


Hard to get dirty



Lock

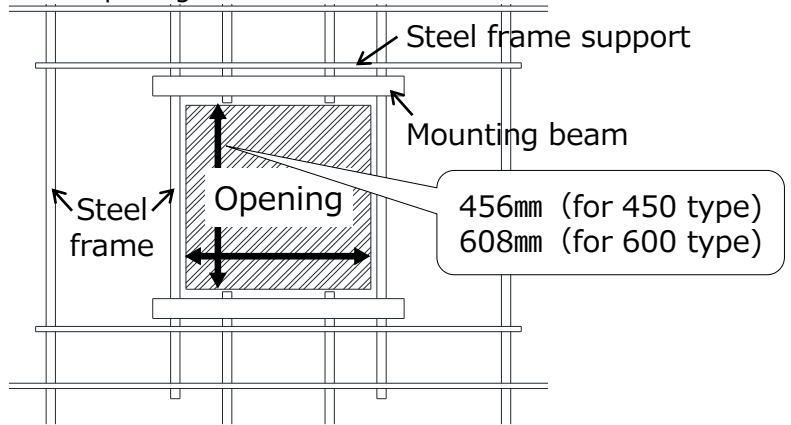
Installation drawing



● Installation

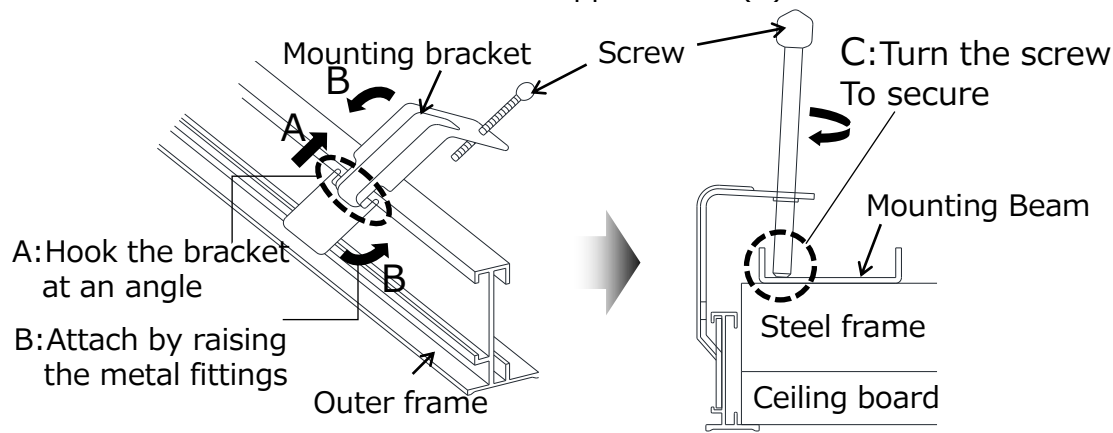
① Install the steel frame base, and create an opening in the ceiling material

- Mount the base (be sure to preserve the opening's integrity)
- Create an opening for the outer frame



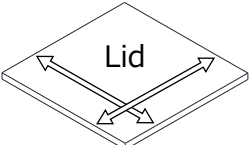
② Attach the outer frame to the mounting base (Lightweight steel base)

- Fit the outer frame into the opening
- Attach the mounting bracket to the outer frame (A, B)
- Turn the screw to secure it to the support beam (C)



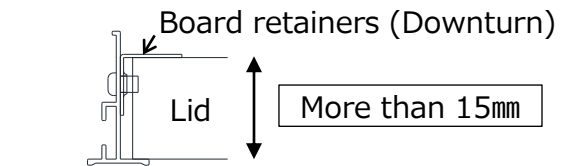
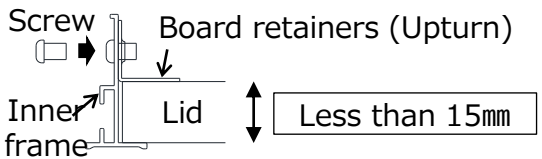
③ Secure the lid to the inner frame

- Lid thickness: Up to 25mm
- Cut the lid to fit the inner frame (Refer below)

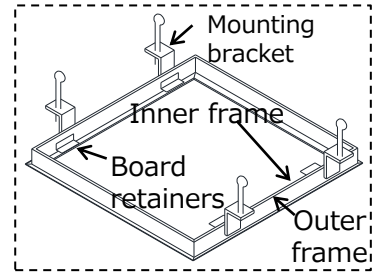


Product	Thickness	450type	600type
Lid dimensions	Less than 15mm	417mm	569mm
	More than 15mm	415mm	567mm

- Insert the board into the inner frame and secure the lid with board retainers
- ※ The direction of retainers will change depending on the thickness of the board



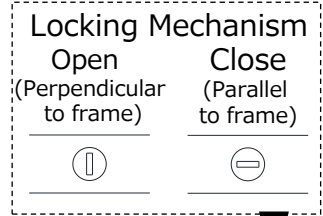
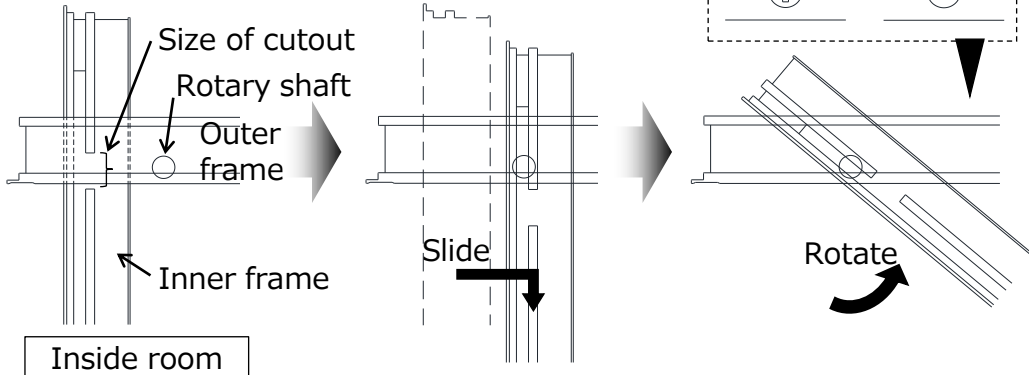
Line up the mounting brackets and board retainers facing each other, and secure



④ Attach the inner frame to the outer frame

- Insert the inner frame into the outer frame
- Slide the inner frame onto the rotary shaft through the inner frame's cutout, then slide it down into place.
- Rotate the inner frame 90 degrees and turn the key 90 degrees to lock it

Inside ceiling



● Construction example <Aluminum TENKENO-N>

■ FACILITY (HO CHI MINH / VIETNAM)



■ SHOP (HO CHI MINH / VIETNAM)



■ BUILDING (TOKYO/JAPAN)

