



● Inspection opening frame for ceiling with a hanging lid that dose not get dirty easily



● **Material** : Aluminum  
● **Color** : Silver

● **Size** : 454×454mm (Actual opening 436×364mm)  
606×606mm (Actual opening 588×516mm)

● **MOQ** : 1 pcs

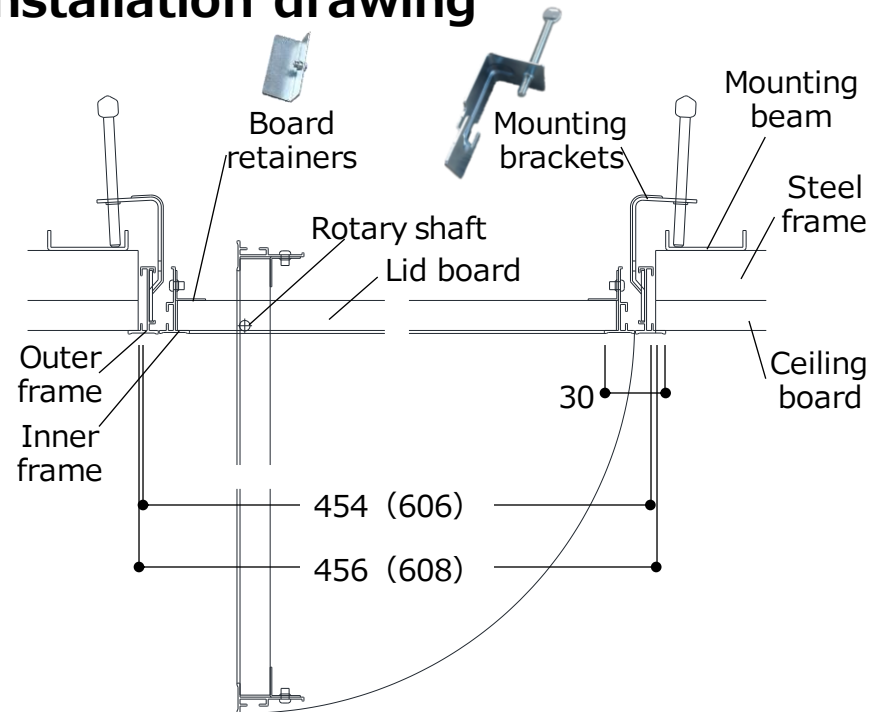


## Key features

- The lid is connected to the frame and hangs when open
- The lid doesn't get dirty easily when opening and closing
- The lid can be closed with a lock
- Clean and neat connection with paint and wallpaper



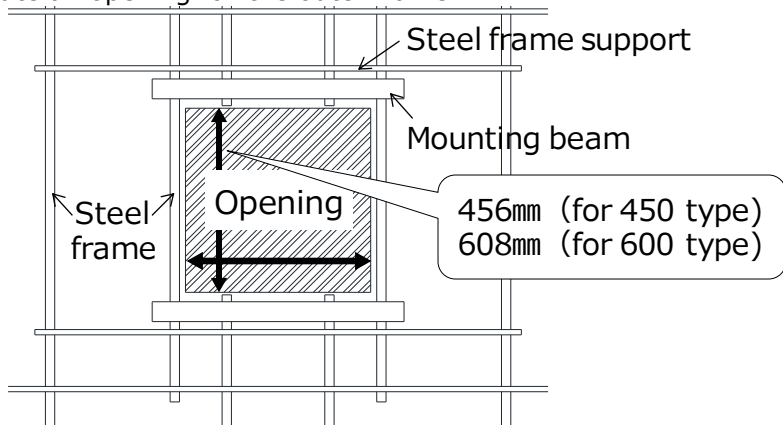
## Installation drawing



# ● Installation

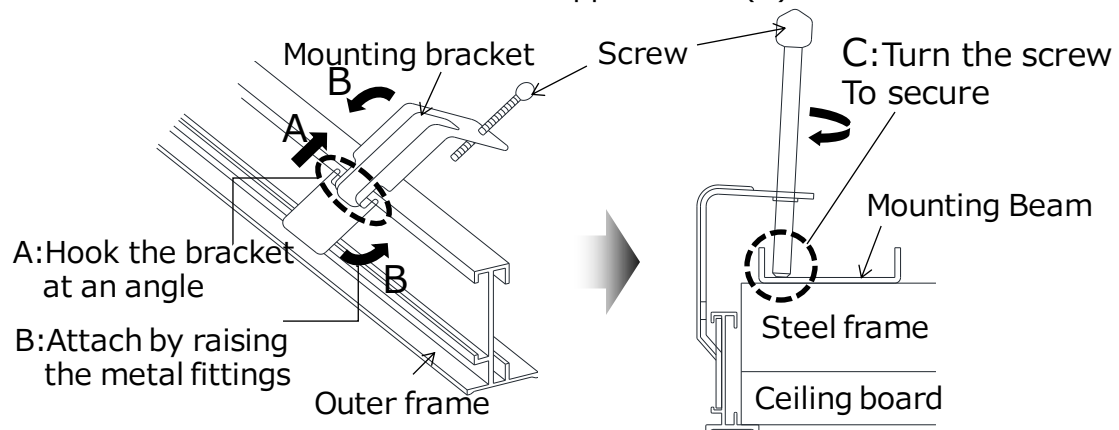
## ① Install the steel frame base, and create an opening in the ceiling material

- Mount the base (be sure to preserve the opening's integrity)
- Create an opening for the outer frame



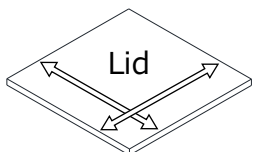
## ② Attach the outer frame to the mounting base (Lightweight steel base)

- Fit the outer frame into the opening
- Attach the mounting bracket to the outer frame (A, B)
- Turn the screw to secure it to the support beam (C)



## ③ Secure the lid to the inner frame

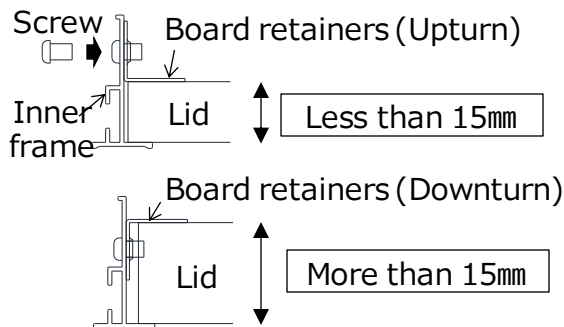
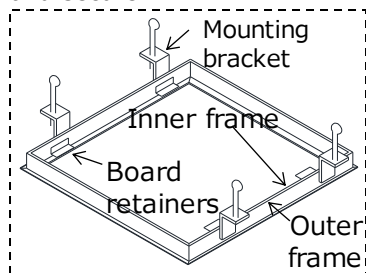
- Lid thickness: Up to 25mm
- Cut the lid to fit the inner frame (Refer below)



Product	Thickness	450type	600type
Lid dimensions	Less than 15mm	417mm	569mm
	More than 15mm	415mm	567mm

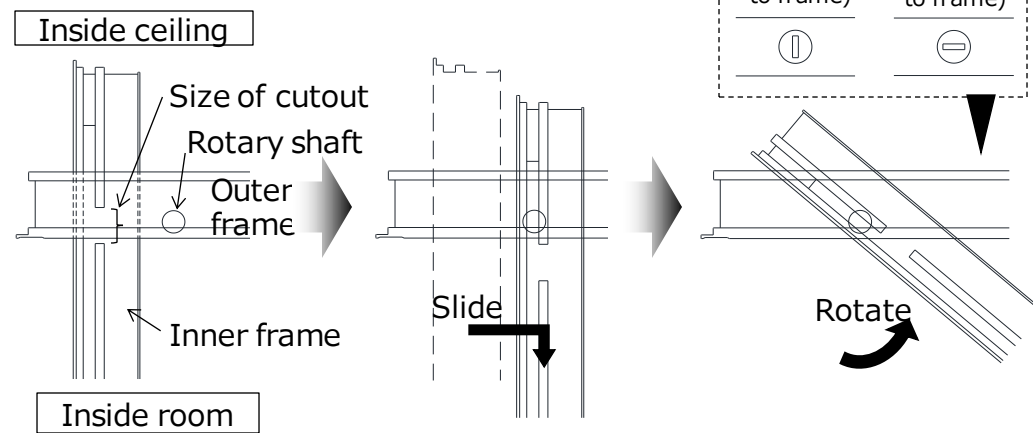
- Insert the board into the inner frame and secure the lid with board retainers
- ※ The direction of retainers will change depending on the thickness of the board

Line up the mounting brackets and board retainers facing each other, and secure



## ④ Attach the inner frame to the outer frame

- Insert the inner frame into the outer frame
- Slide the inner frame onto the rotary shaft through the inner frame's cutout, then slide it down into place.
- Rotate the inner frame 90 degrees and turn the key 90 degrees to lock it



# ● Construction example <Aluminum TENKENKO-N>

■ BUILDING (TOKYO/JAPAN)



■ FACILITY (HO CHI MINH / VIETNAM)

