

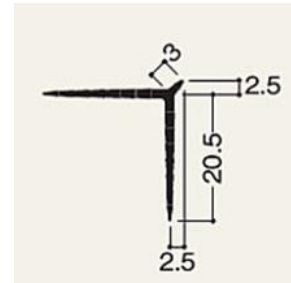
- Creates straight corners with plaster



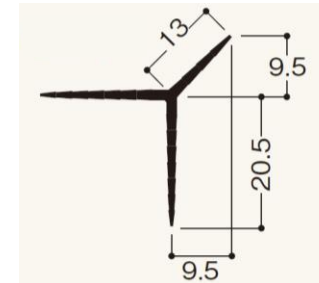
Key features

- Easily create straight lines with high precision
- High hole count allows excellent mortar adhesion
- Easy to cut with scissors
- Square Corner "3K" "13K"
- Round Corner "13R"

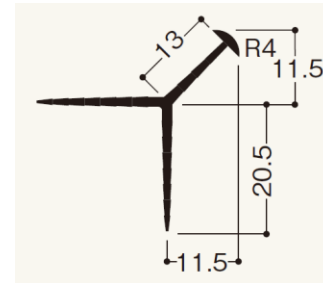
3K



13K



13R

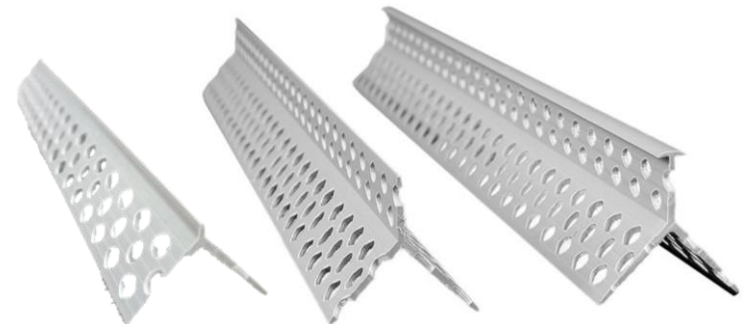


- **Material** : PVC
- **Color** : Gray
- **Length** : 1,820mm
- **MOQ** : 200pcs (3K)
100pcs (13K,13R)

● Installation

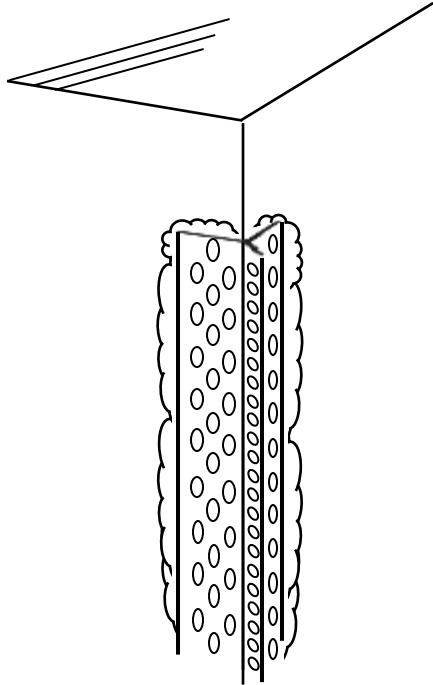
Foundation : Concrete
Mortar

Method : Embedded

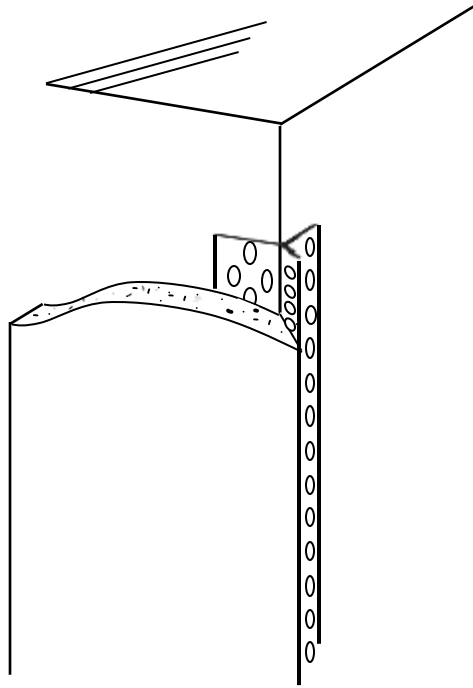


● Installation

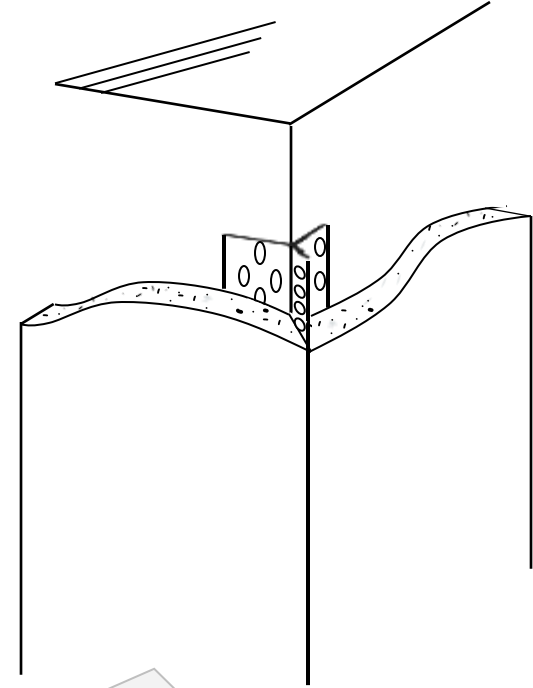
① Attach to corner of concrete foundation



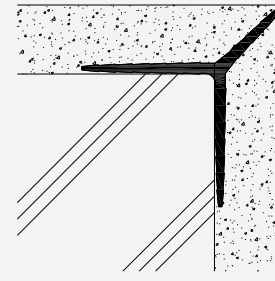
② Apply mortar to one side



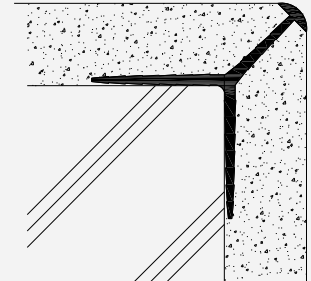
③ Apply mortar to other side



Square Corner



Round Corner



● Construction example <CORNER BEAD-M>

