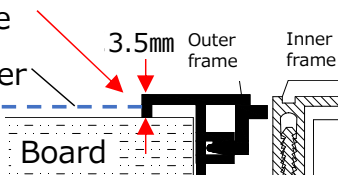



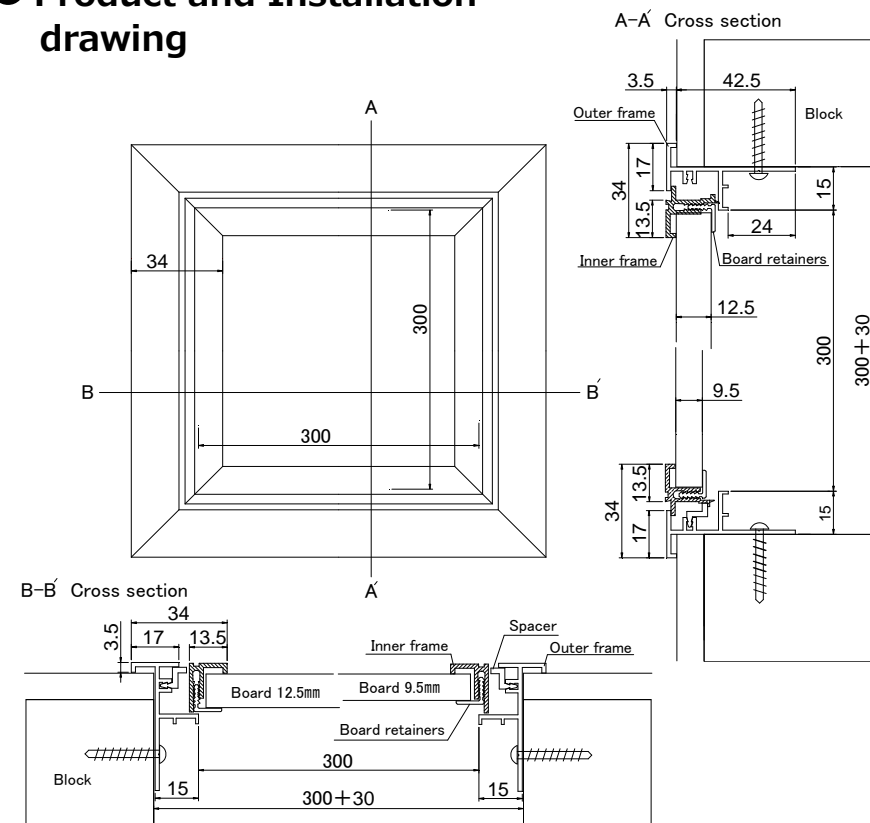
- Easy access to interior wall space for inspection of pipes



Key features

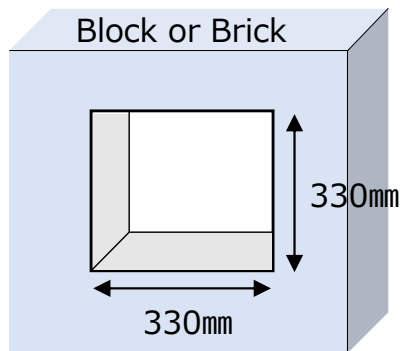
- Easy method to inspect pipes inside walls
 - Easy to open (Raise the lid slightly to open)
 - Attachable board thickness 9.5mm or 12.5mm
 - Light weight
 - Clean, neat appearance with either paint or wallpaper
- Stop paint or wallpaper at the edge of the frame to create a neat, clean line
- 

- Material : PVC
- Color : White 
- Size : 300×300mm
- Attachable board thickness : 9.5、12.5mm
- MOQ : 10pcs
- Product and Installation drawing

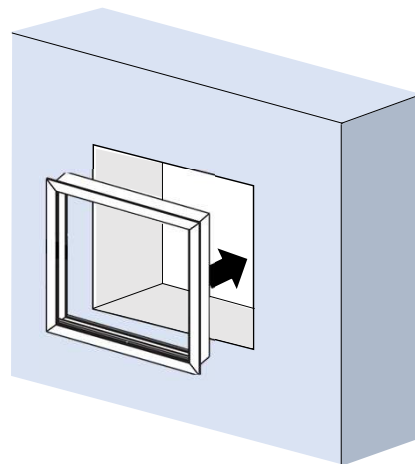


● Installation

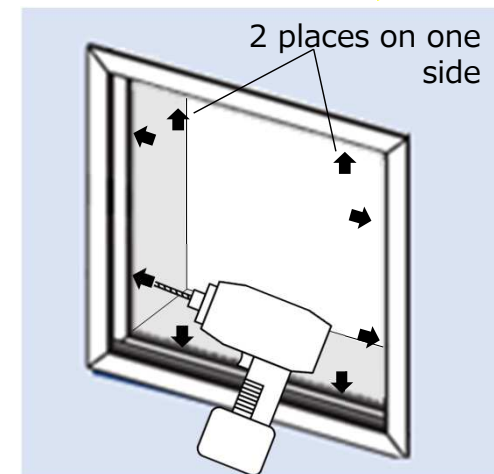
① Cut a hole in the wall



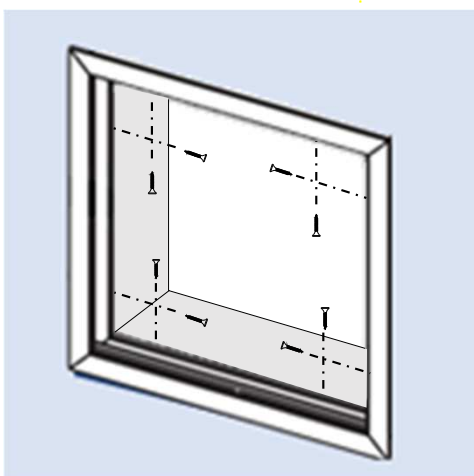
② Insert the outer frame



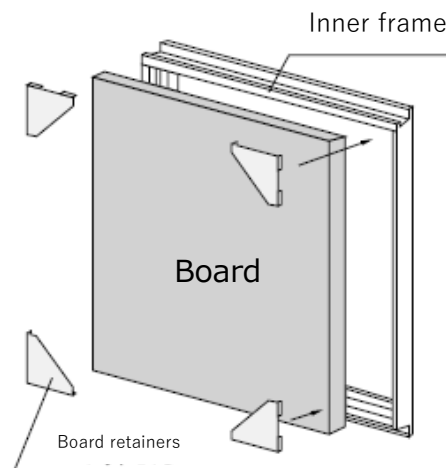
③ Drill holes on the inside of the frame (8 places)



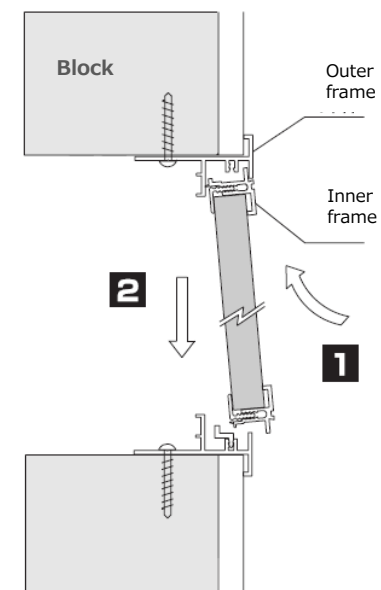
④ Secure with screws on the inside the frame



⑤ Create the lid (insert the board into the inner frame and attach it with the board retainers)



⑥ Close the lid 1 → 2



● Construction example <TENKENKO-1G>

